



Fast and Easy Installation.

The OE ELSAFE FALCON floor box is one of the smallest floor boxes on the market yet it still provides an excellent solution for power and data requirements in open spaces.

The FALCON floor box provides services directly to workstations, conference and training rooms, where other access is not practical. Designed for use in concrete floors, raised access floors, wooden stage floors and computer floor applications.

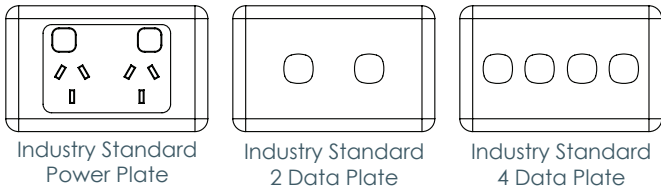
The FALCON Floor Box design allows room for cables to be stored within the box when not in use. Features a recessed lid that will allow carpet, carpet tiles or similar floor finishes to be installed to discretely merge in with its surroundings.



USPs:

- 88mm deep screed with 236mm x 171mm cutout
- Good for general purpose
- Can wire in single circuit
- Removable and reversible recessed lid
- Designed for use with industry standard power & data plates

Common Components



Removable FALCON lid can accommodate standard OE Elsafe M.P.O. Messenger Pedestal Outlet (Optional)

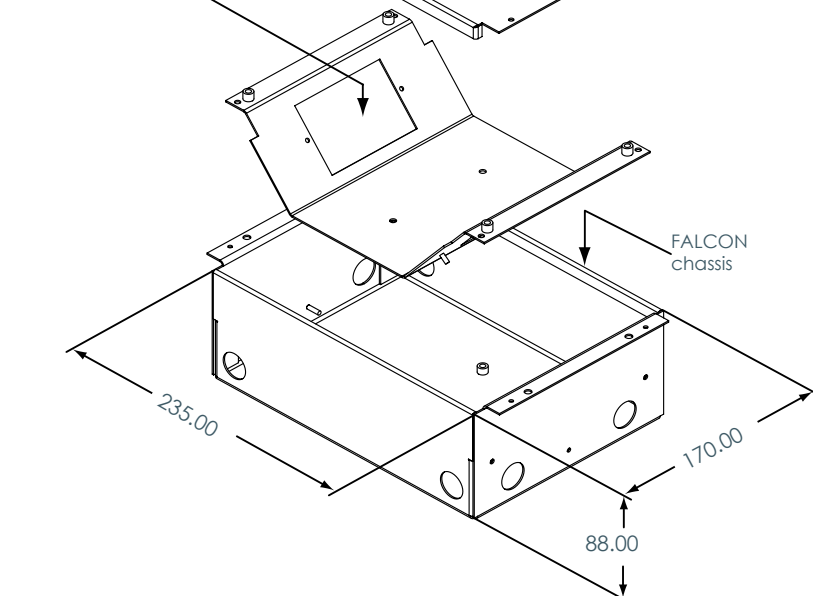
OE Elsafe M.P.O. carpet spacer (Optional)

Removable & reversible FALCON lid.

After the chassis is screwed to the floor, the FALCON frame is fixed to the chassis.

The screed lid

Industry standard snip out



Features

- The smaller size of the FALCON Floor Box is ideal for situations where depth and size restrictions prohibit a larger floor box.
- The reversible lid eliminates cable strain.
- Simple removal of the lid provides easy access for carpet fitting.
- The FALCON floor box is supplied as a kitted unit with the 2 inside walls of the FALCON floor box designed to accept industry standard wall mounted plates.
- The FALCON floor box has been designed to be reusable and relocatable.
- Optional extra:- For high volumes of cable that require distribution in a controlled method a MESSENGER MPO Surface Mount Grommet can be installed onto the FALCON floor box Lid.

Cut-out Dimensions

