

Flare-300

Commercial LED Flood Light (Flex and plug)



Description

FLARE Series Commercial LED Floodlights are built for dependable performance across commercial, industrial and sporting applications. Designed to suit demanding Australian conditions, the range offers a practical, flexible solution that simplifies project selection and installation with a variety of different beam angle lens options.

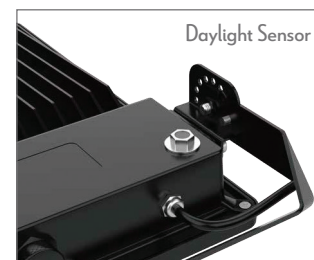
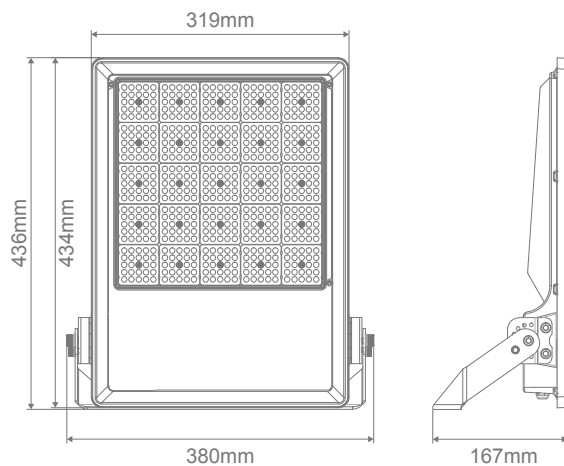
The C5 Marine Grade black powder coated aluminium body delivers a clean architectural look, while the clear glass lens provides strong, even illumination suited to large open areas. Supplied with 2M flex and plug plus an adjustable mounting bracket, it is ready for straightforward installation. Optional bracket accessories are available for specialised mounting requirements.

Specification Features

Input Voltage:	240V AC		
Power (W):	180W / 240W / 300W		
IP rating (IP):	IP65		
IK Rating (IK):	IK08		
Lumens (lm):	180W	240W	300W
Neutral White 4000K	27797.9lm	35445.4lm	42695.1lm
White 5000K	27797.9lm	35445.4lm	42695.1lm
CCT:	4000K - 5000K		
CRI:	≥80		
Surge Protection:	10KV		
Cable:	2M flex and plug		
Sensor:	Built-in daylight sensor		
Standard Beam Angle (°):	120°		
Optional Beam Angles (°):	30°, 60°, 90°		
	T2M, T3M, T4M & 110x45°		
Dimmable:	No		
Average Lifespan (hrs):	50,000hrs		



Diagrams / Additional



Item No.	Variant								CCT
	120°	90°	60°	30°	T2M	T3M	T4M	Tennis	
FLARE-300	19218	19219	19220	19221	19222	19223	19224	19225	4000K
	19227	19228	19229	19230	19231	19232	19233	19234	5000K

Item No.	Variant
FLARE-CNR-BKT	19288

Item No.	Variant		
	50cm	100cm	120cm
FLARE-SIGN-BKT	19290	19291	19292