

'EMX SERIES' EMERGENCY BACKUP LIGHT

Overview

The *EMXfire* comes with a super bright LED, highly efficient in operation where the average power consumption is 2.8W. The lifetime of LED spans more than 50 000 hours. With 3.2V 1300mAh LiFePO4 battery as backup, this sign lasts more than 120 minutes after power failure occurs.

Features

- Recess ceiling mount installation
- Cut-out 70mm up to 120mm using extra plate included
- LED indicator with test switch provided
- 120 minutes discharging time when normal power fails
- Suitable for inaccessible ceiling cavities and damp locations
- Self-contained escape sign
- Conversion time: <0.2 second
- Overcharge and over-discharge protection
- Battery pack and inverter combination

Inverter

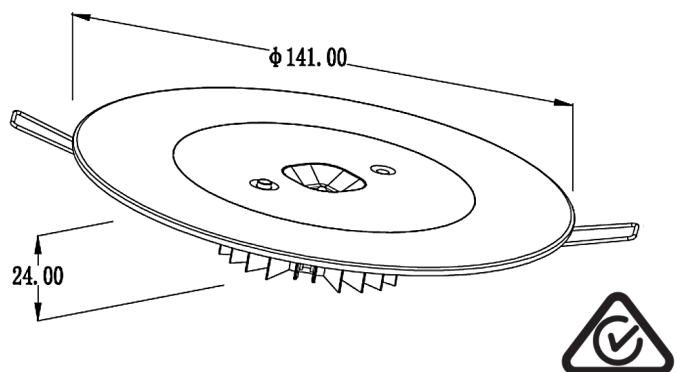
- Dimensions: 205mm x 38mm x 33mm
- Battery replacement: Every 4 years after installation
- Includes 10A flex and plug

SMD LED	LIFEPO4 BATTERY	240V CHARGE	IP20	3W
----------------	------------------------	--------------------	-------------	-----------



Specifications

Housing and Heat Sink: ACD12
 Spring Clips: Electroplated Steel
 LED Type: SMD 2835
 Battery Type: Lithium-ion
 Battery Voltage: 3.2V
 Output Current: 1300mAh
 Electrical Classification: II
 Input Voltage: 220–240VAC 50/60Hz
 Operating Temperature: -10°C–40°C
 Operating Humidity: 0-90%
 Ingress Protection: IP20
 Compliance: AS/NZS2293



Part No.	Watts	Battery	Lamp Type	Discharge	Charging	Height	Inner ø	Outer ø
20258NLS	2.8W	LiFePO4	SMD LED	120 Mins	15-24Hrs	24.00mm	84.00mm	141.00mm