

SWITCHBOARD / DISTRIBUTION BOX

DIN RAIL ENCLOSURES



Nationalnls[®]

NATIONAL LIGHT SOURCES PTY LTD
www.nslight.com.au

Types:

- Surface mount
- Recessed/Flush mount – *Wide Flange*
- Weatherproof IP56
- Din rail/Enclosure

Features:

- Electric Rating: Up to 100A, 250/415V, 50/60Hz
- On-load current: 100A/1 Phase, 63A/3 Phase
- Available in 4, 6, 8, 12, 18, 24, 36 way
- Smoke finish transparent door
- Lock available

Materials:

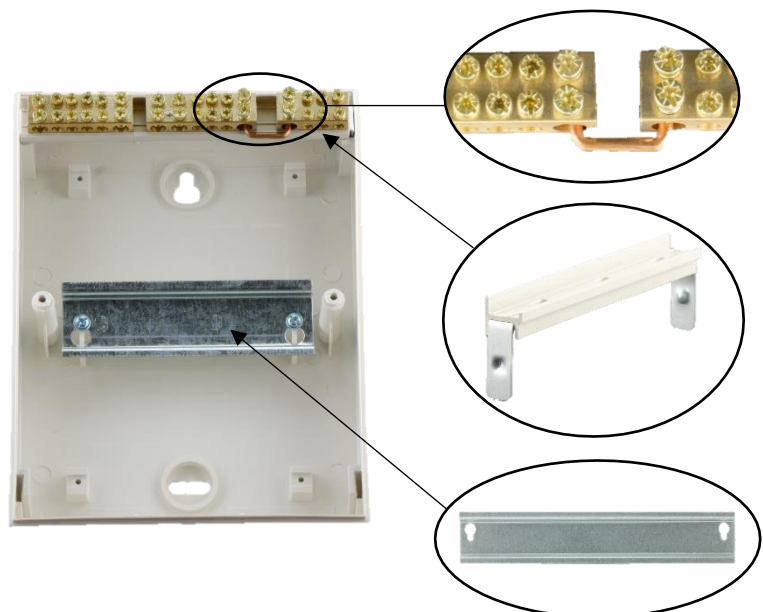
- Body: HIPS, ABS, ABS-UV Fire Resistant
- Door: AS, UV Resistant PC

Standards:

- IEC60439-3

Contents:

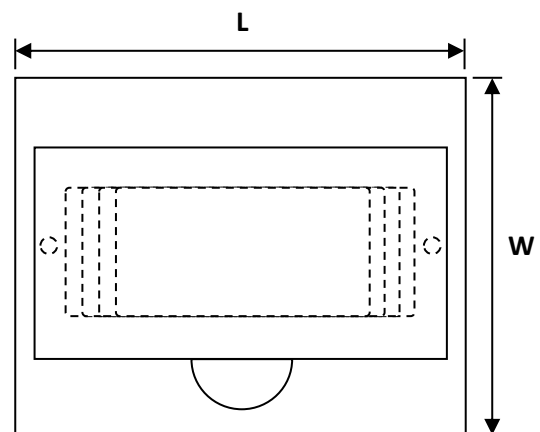
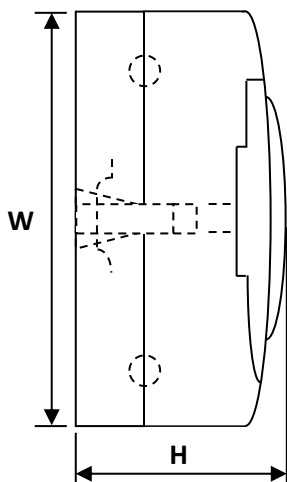
- Pole fillers
- Circuit identification labels
- Double-row copper link bars
- Bus bar
- Din rail





SURFACE MOUNT – IP40

Part No.	Description	L (mm)	W (mm)	H (mm)	No. of Doors (Rows)	Ctn Qty
30302NLS	SMDB 4 Way	112	210	100	1	20
30173NLS	SMDB 6 Way	148	210	100	1	20
30264NLS	SMDB 8 Way	184	210	100	1	20
30182NLS	SMDB 12 Way	256	210	100	1	10
30256NLS	SMDB 18 Way	364	222	100	1	10
30257NLS	SMDB 24 Way	270	325	100	2	10
30265NLS	SMDB 36 Way	305	473	100	3	5

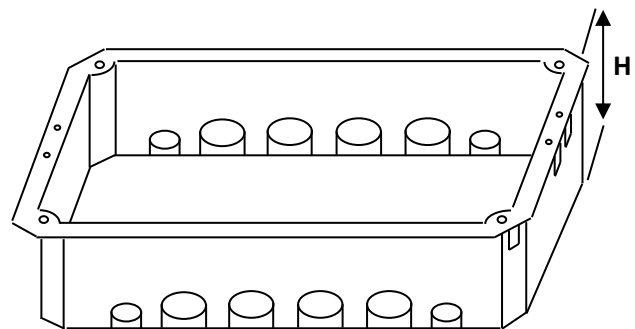
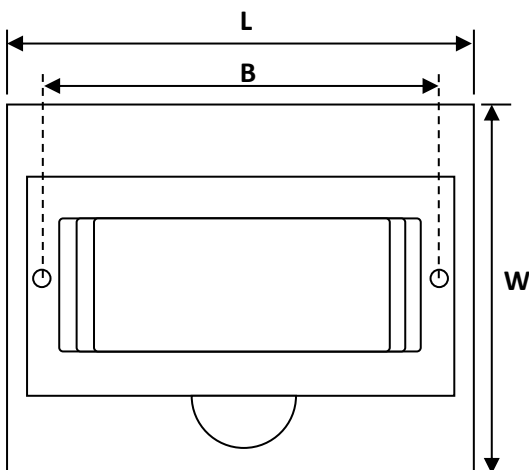




RECESS/FLUSH MOUNT – IP40

Part No.	Description	L (mm)	W (mm)	H (mm)	B (mm)	No. of Doors (Rows)	Ctn Qty
30329NLS	RMDB 4 Way	136	222	93	86	1	20
30330NLS	RMDB 6 Way	192	247	93	122	1	20
30280NLS	RMDB 8 Way	228	247	93	158	1	20
30281NLS	RMDB 12 Way	305	247	93	230	1	10
30282NLS	RMDB 18 Way	415	270	103	238	1	10
30283NLS	RMDB 24 Way	305	355	103	232	2	5
30284NLS	RMDB 36 Way	341	503	103	265	3	5

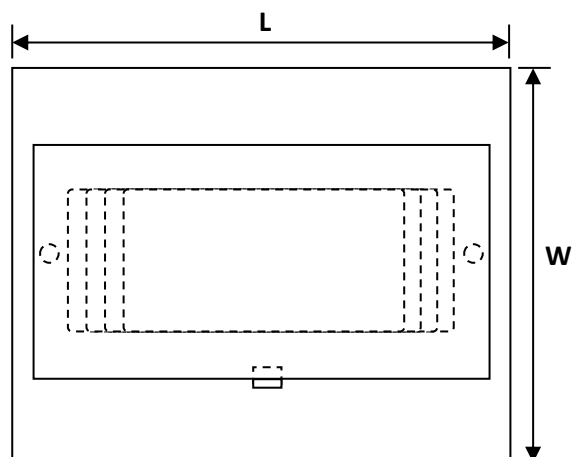
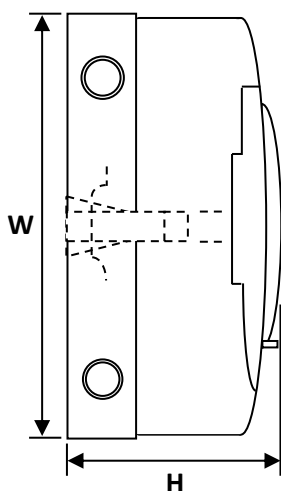
Total outer flange height = 30mm





WEATHERPROOF SURFACE MOUNT – IP56

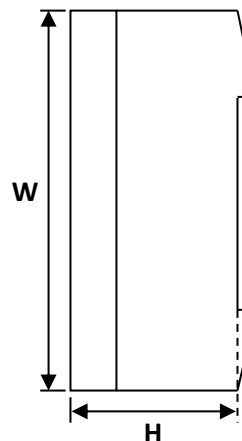
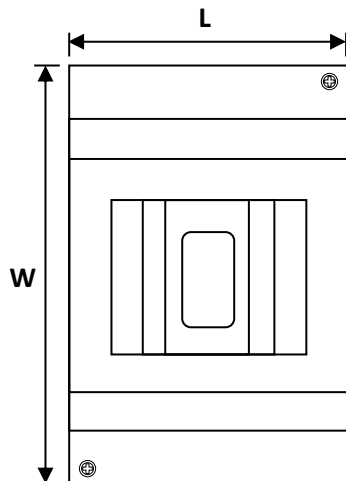
Part No.	Description	L (mm)	W (mm)	H (mm)	No. of Doors (Rows)	Ctn Qty
30304NLS	WPDB 4 Way	126	215	100	1	20
30296NLS	WPDB 6 Way	163	215	100	1	20
30301NLS	WPDB 8 Way	217	215	100	1	20
30297NLS	WPDB 12 Way	272	215	100	1	12
30298NLS	WPDB 18 Way	380	235	100	1	8
30299NLS	WPDB 24 Way	285	340	100	2	8





DIN RAIL ENCLOSURE – IP30

Part No.	Description	L (mm)	W (mm)	H (mm)	No. of Rows	Ctn Qty
30269NLS	1 Pole Lume	34	130	60	1	200
30270NLS	2 Pole Lume	52	130	60	1	200
30271NLS	3/4 Pole Lume	87	130	60	1	100
30272NLS	6 Pole Lume	123	160	60	1	50
30273NLS	8 Pole Lume	160	160	60	1	50
30274NLS	12 Pole Lume	260	160	60	1	20
30275NLS	18 Pole Lume	365	160	60	1	20



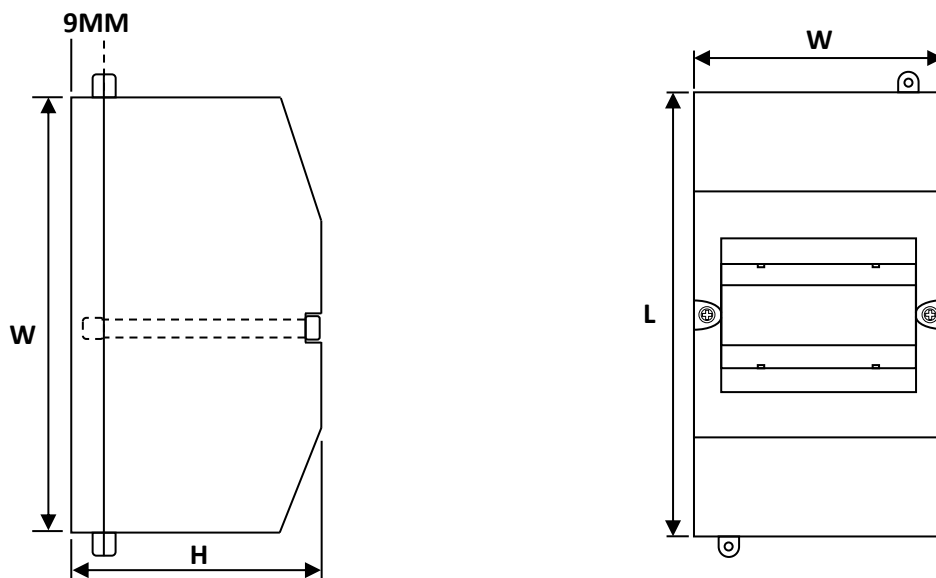
Subject to change without prior notice



TALL DIN RAIL ENCLOSURE – IP30

Part No.	Description	L (mm)	W (mm)	H (mm)	Ctn Qty
30416NLS	1 Pole Lume - Tall	133	35	69	150
30417NLS	2 Pole Lume - Tall	133	53	69	150
30418NLS	3 Pole Lume - Tall	133	70	69	100
30419NLS	4 Pole Lume - Tall	153	88	69	100
30420NLS	4 Pole Lume - Tall + EBPF	153	88	69	100

* EB = Earth Bar and Pole Fillers



Subject to change without prior notice

Available Products

- Circuit Breakers
- Main Switches
- Surge Arrestors
- Digital Timers
- Contactors and more



nls
national light sources

15-16 Coombes Drive, Penrith, New South Wales

Ph: (02) 4732 5444 | Fax: (02) 4732 6600

Email: sales@nslight.com.au

Web: www.nslight.com.au

ABN: 35 475 487 278

Distributed by: