



## SWITCHBOARD / DISTRIBUTION BOX

### DIN RAIL ENCLOSURES

#### Types

- Weatherproof IP54
- Surface Mount
- Recessed Wall Mount
- Din Rail Enclosure

#### Switchboard Contents

- Pole fillers - 6 spaces
- Circuit identification labels for specifications: Green labels and Red labels
- Single-row and double-row copper link bars
- Plastic bracket for link bar
- Din rail

**IMPORTANT** - Must be installed:

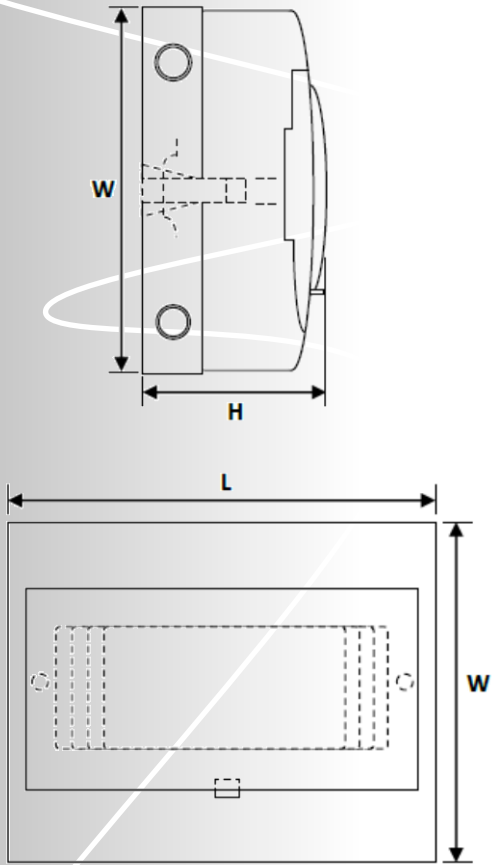
To manufacturers specification and by a qualified licensed electrician



### SURFACE MOUNT WEATHERPROOF SWITCHBOARD

**Features**

- IP Rating: IP54
- No. of mounted units: 4, 6, 8, 12, 18, 24 way
- Electric ratings: Up to 100A, 240/415Vac 50/60Hz
- On-load current: 100A, 1 phase or 63A, 3 phase
- Body materials: HIPS, ABS, ABS-UV Fire Resistant
- Transparent door: AS UV Resistant PC
- Compliance: AS/NZS3000

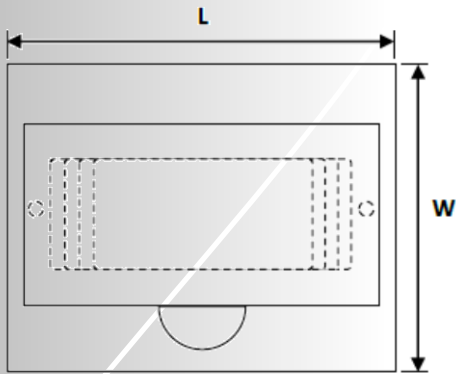
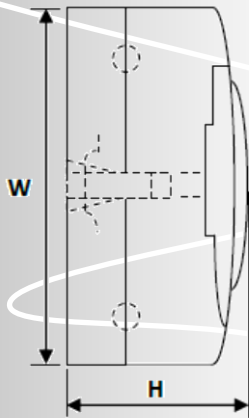


Part No.	Description	L	W	H	Ctn
NLS30304	4 Way Weatherproof Switchboard - Surface Mount	126	215	100	20
NLS30301	6 Way Weatherproof Switchboard - Surface Mount	163	215	100	20
NLS30296	8 Way Weatherproof Switchboard - Surface Mount	217	215	100	20
NLS30297	12 Way Weatherproof Switchboard - Surface Mount	272	215	100	12
NLS30298	18 Way Weatherproof Switchboard - Surface Mount	380	235	100	8
NLS30299	24 Way Weatherproof Switchboard - Surface Mount	285	340	100	8

### SURFACE MOUNT DISTRIBUTION BOX

#### Features

- IP Rating: IP40
- No. of mounted units: 4, 6, 8, 12, 18, 24, 36 way
- Electric ratings: Up to 100A, 240/415Vac 50/60Hz
- On-load current: 100A, 1 phase or 63A, 3 phase
- Body materials: HIPS, ABS, ABS-UV Fire Resistant
- Transparent door: AS UV Resistant PC
- Compliance: AS/NZS3000

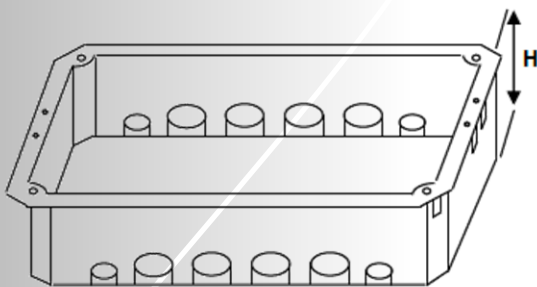
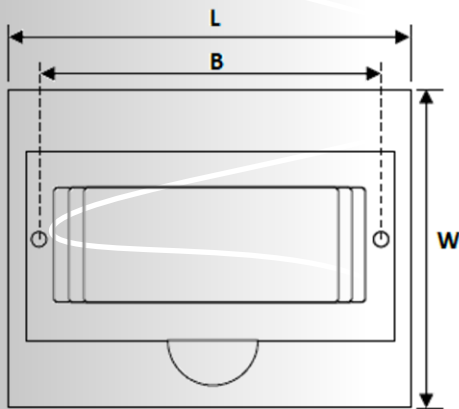


Part No.	Description	L	W	H	Ctn
NLS30302	4 Way Switchboard - Surface Mount	112	201	100	20
NLS30173	6 Way Switchboard - Surface Mount	148	201	100	20
NLS30264	8 Way Switchboard - Surface Mount	184	201	100	20
NLS30182	12 Way Switchboard - Surface Mount	256	201	100	10
NLS30256	18 Way Switchboard - Surface Mount	364	222	100	10
NLS30257	24 Way Switchboard - Surface Mount	270	325	100	10
NLS30265	36 Way Switchboard - Surface Mount	305	473	100	5

## FLUSH MOUNT DISTRIBUTION BOX

### Features

- IP Rating: IP40
- Wide face cover for added protection
- No. of mounted units: 4, 6, 8, 12, 18, 24, 36 way
- Electric ratings: Up to 100A, 240/415Vac 50/60Hz
- On-load current: 100A, 1 phase or 63A, 3 phase
- Body materials: HIPS, ABS, ABS-UV Fire Resistant
- Transparent door: AS UV Resistant PC
- Compliance: AS/NZS3000

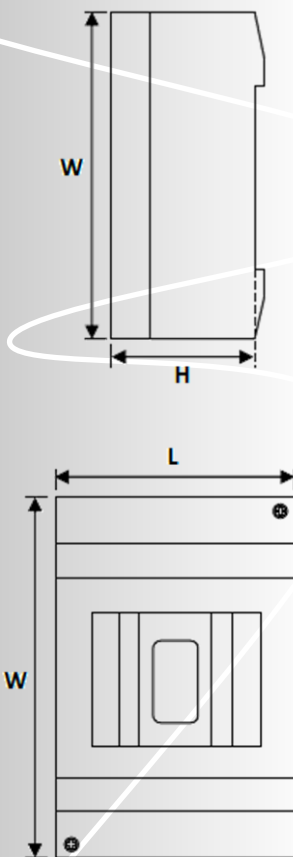


Part No.	Description	L	W	H	B	Ctn
NLS30329	4 Way Switchboard - Recess Wall Mount	136	222	93	86	20
NLS30330	6 Way Switchboard - Recess Wall Mount	192	247	93	122	20
NLS30280	8 Way Switchboard - Recess Wall Mount	228	247	93	158	20
NLS30281	12 Way Switchboard - Recess Wall Mount	305	247	93	230	10
NLS30282	18 Way Switchboard - Recess Wall Mount	415	270	103	238	5
NLS30283	24 Way Switchboard - Recess Wall Mount	305	355	103	232	5
NLS30284	36 Way Switchboard - Recess Wall Mount	341	503	103	265	5

## SURFACE MOUNT DIN RAIL ENCLOSURE

### Features

- IP Rating: IP30
- No. of mounted units: 1, 2, 4, 6, 8, 12, 18 way
- Electric ratings: Up to 63A, 240/415Vac 50/60Hz
- Body materials: PC Fire Resistant
- Compliance: AS/NZS3000

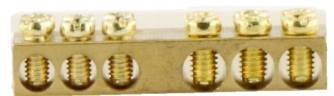
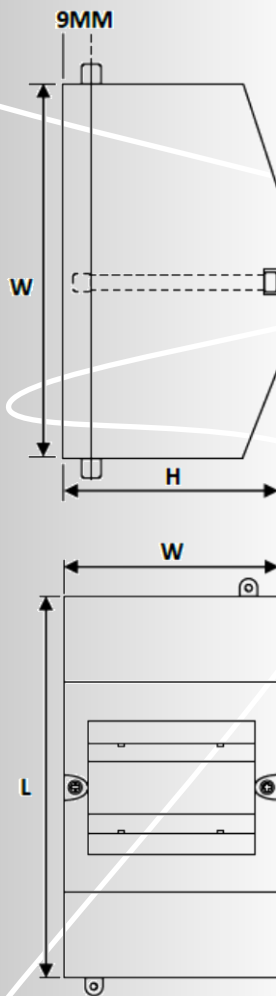


Part No.	Description	L	W	H	Ctn
NLS30269	1 Way Enclosure - Surface Mount	34	130	60	200
NLS30270	2 Way Enclosure - Surface Mount	52	130	60	200
NLS30271	3/4 Way Enclosure - Surface Mount	87	130	60	100
NLS30272	6 Way Enclosure - Surface Mount	123	160	60	50
NLS30273	8 Way Enclosure - Surface Mount	160	160	60	50
NLS30274	12 Way Enclosure - Surface Mount	260	160	60	20
NLS30275	18 Way Enclosure - Surface Mount	365	160	60	20

## SURFACE MOUNT TALL DIN RAIL ENCLOSURE

### Features

- IP Rating: IP30
- No. of mounted units: 1, 2, 3, 4 way
- Electric ratings: Up to 63A, 240/415Vac 50/60Hz
- Body materials: HIPS, ABS, ABS-UV Fire Resistant
- Compliance: AS/NZS3000



Part No.	Description	L	W	H	Ctn
NLS30416	1 Way Tall Enclosure - Surface Mount	133	35	69	150
NLS30417	2 Way Tall Enclosure - Surface Mount	133	53	69	150
NLS30418	3 Way Tall Enclosure - Surface Mount	133	70	69	100
NLS30419	4 Way Tall Enclosure - Surface Mount	153	88	69	100
NLS30420	4 Way Tall Enclosure - Surface Mount + Earth Bar	153	88	69	100