

Electrical Accessories

# Australia's most universal USB mech

30 Series USB Charger Mech  
30USBCM



**CLIPSAL**<sup>®</sup>  
by Schneider Electric

# Adaptable, efficient and reliable

Smartphones, tablets and portable music devices are designed to make your customers' lives easier and more comfortable. But, unique and bulky charger designs prevent them from simply plugging into the nearest vacant power outlet to recharge. That's where the Clipsal 30 Series USB Charger will change the way your customers charge their devices.

Your customers will be able to charge up to three electronic devices at a time, per wall plate, without the need for a power board or the manufacturer's original supplied charger. These energy-efficient USB Charger Mechs are compatible with both Apple® and Android™ devices, and use less than 0.07W of power while in Standby mode.

The 30 Series USB Charger Mech is available as an individual mech or in a variety of Clipsal Wall Plate combinations. Either way, the hardwired 30 Series USB Charger Mech will get your customers back using their devices, faster than ever!



## Applications

Clipsal 30 Series USB Charger Mechs can be added to wall plates with switches and dimmers present; they are perfect next to bedside tables around the home or in hotel rooms. These versatile charger mechs can go anywhere, including schools, universities, airports and hospitals.

Up to three 30 Series USB Charger Mechs can be inserted into each Clipsal Wall Plate, so you can charge multiple devices simultaneously. They can be fitted into both standard and fire-rated wall boxes.

This USB Charger Mech is designed to fit into 30 Series aperture wall plates, in both bracket and wall box environments. With up to 1.2A of charge current available, its smart-charging technologies ensure devices such as phones, tablets, cameras and eBook readers can be charged at the maximum safe rate governed by the device.

## A selection of plate configurations



4031VH-PW  
+30USBCM



C2032VH-WE  
+30USBCM



C2033VH-WE  
+30USBCM

## Coloured cap options





## Features and benefits

- 30 Series USB Charger Mech suits most Clipsal Switch Plate styles and colours, including Clipsal 2000 Series™, C2000™, Saturn™ Data, Slimline® and Standard.
- Fit up to three USB Charger Mechs per plate.
- Available as a single mech or in a variety of pre-assembled Clipsal Wall Plate combinations.
- Match coloured plates with compatible colour caps, to suit decor or identify type of power in a commercial environment.
- Able to be retrofitted, quickly, into Clipsal Wall Plates with 30 Mech apertures.
- Able to reduce overall system load and infrastructure by replacing standard GPOs with 30 Series USBs.
- Meets five-star energy ratings for efficiency with extremely low standby power (< 0.07W).
- Cable compensation allows devices to be charged quickly (compliant with USB Charging Specification BC1.2).
- Inbuilt protection for surge, over-temperature and over-current occurrences.
- Certified to all relevant safety and EMC requirements for Australia.



C2015USBC-WE



C2015USB2C-WE



2015USBC-WE



2015USB2C-WE



## Product Specifications and Standards

Specification	Value/Description
Supply voltage	230V AC, nominal
Supply frequency	50Hz
Output voltage	4.75–5.25V DC
Output current	1.2A max. at 5.0V DC
Standby power	0.07W
Application	USB battery charger for portable USB devices
Mounting	Must be installed in an approved 30 Mech aperture grid or an adapter specifically designed for 30 Mech devices.
Location	Indoor use only. Can be placed with other USB charges, switches and dimmers in a 30 Mech grid plate.
Input connections	2-wire polarised input, includes screw-terminal connector. RED-active/line; BLK-neutral; lead length ~110mm.
Output connector	Standard USB socket
Grid compatibility	30 Mech aperture compatible. Specific compatibility as follows: 2000 Series – 2015X, 2015XX, 2025X* and up to 3-gang switch plates. C2000 Series – C2015X, C2015XX, C2025X* and up to 3-gang switch plates. SC2000 Series – SC2015X, SC2015XX and up to 3-gang switch plates. Standard Series – Up to 3-gang switch plates. Saturn – Up to 3-gang data plates. Strato Modena – With 30 Mech adaptor. Prestige – With 30 Mech adaptor. *Contact Clipsal by Schneider Electric for details on compatible clips, brackets and wall boxes. Only mounting hardware recommended by Clipsal by Schneider Electric should be used.
Dimensions	23mm (H) x 30.7mm (W) x 39.5mm (D)
Weight	30g

## European Committee for Standardisation



Regulation	Standard	Title
Safety	IEC 60950-1	Information Technology Equipment, Safety, General Requirements.
EMC	CISPR 22	Information Technology Equipment, Radio Disturbance Characteristics, Limits and Methods of Measurement.
	CISPR 24	Information Technology Equipment, Immunity Characteristics, Limits and Methods of Measurement.
Disposal	WEEE-2002/96EC	Electrical and Electronic Equipment Waste.
	EU 94/62 EC	EU Packaging Waste Directive.

## Australian and New Zealand Standards



Regulation	Standard	Title
Safety	IEC 60950-1	Information Technology Equipment, Safety, General Requirements.
	AS/NZS 3100	Approval and Test Specification, General Requirements for Electrical Equipment.
EMC	CISPR 22	Information Technology Equipment, Radio Disturbance Characteristics, Limits and Methods of Measurement.
	AS/NZS 4665	Performance of External Power Supplies, Test Methods and Energy Performance Mark.

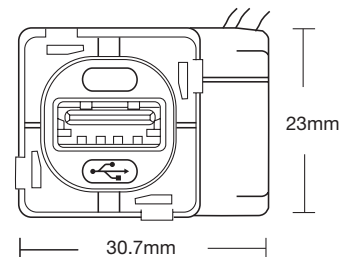
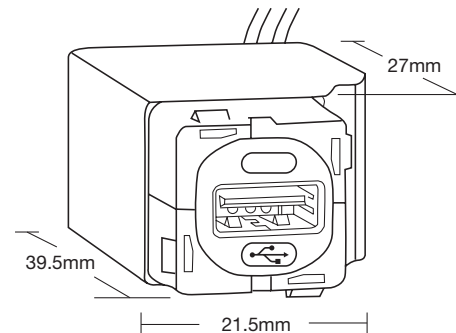
For more information about the Clipsal 30 Series USB Charger Mech, contact your local Clipsal and Schneider Electric Partner Business Representative, electrical wholesaler or visit [clipsal.com/USB](http://clipsal.com/USB)

## Colour Cap Options

Colour Code	Colour
CM	Cream
DS	Desert Sand
SG	Soft Grey
BK	Black
GR	Green
BR	Brown
DB	Dark Blue
RD	Red
3A	Arctic Silver
3S	Chrome Shadow

## Commercial References

Cat. No.	Description
USBC-CAPS-CM	Packet of 5 x Cream coloured caps
USBC-CAPS-DS	Packet of 5 x Desert Sand coloured caps
USBC-CAPS-SG	Packet of 5 x Soft Grey coloured caps
USBC-CAPS-BK	Packet of 5 x Black coloured caps
USBC-CAPS-BR	Packet of 5 x Brown coloured caps
USBC-CAPS-DB	Packet of 5 x Dark Blue coloured caps
USBC-CAPS-RD	Packet of 5 x Red coloured caps
USBC-CAPS-GR	Packet of 5 x Green coloured caps
USBC-CAPS-3A	Packet of 5 x Arctic Silver coloured caps
USBC-CAPS-3S	Packet of 5 x Chrome Shadow coloured caps
30USBCM	30 Series Mech, USB charging outlet module 1.2A with White cap
2015USBC-WE	2000 Series single GPO with 1 x USB outlet with White cap
2015USB2C-WE	2000 Series single GPO with 2 x USB outlets with White cap
C2015USBC-WE	Classic 2000 Series single GPO with 1 x USB outlet with White cap
C2015USB2C-WE	Classic 2000 Series single GPO with 2 x USB outlets with White cap



### Schneider Electric (Australia) Pty Ltd

33-37 Port Wakefield Road  
Gepps Cross  
South Australia 5094  
PO Box 132, Enfield Plaza  
South Australia 5085

National Customer Care  
Enquiries: 1300 2025 25  
Email: [plugin@clipsal.com.au](mailto:plugin@clipsal.com.au)  
Access this document directly:  
[clipsal.com/brochures](http://clipsal.com/brochures)

Schneider Electric (Australia) Pty Ltd reserves the right to change specifications, modify designs and discontinue items without incurring obligation and whilst every effort is made to ensure that descriptions, specifications and other information in this catalogue are correct, no warranty is given in respect thereof and the company shall not be liable for any error therein.

Trademarks are owned by Schneider Electric Industries SAS or its affiliated companies.

This document has been printed using FSC Mix Certified paper. ISO 14001 environmental management system in use at mill.