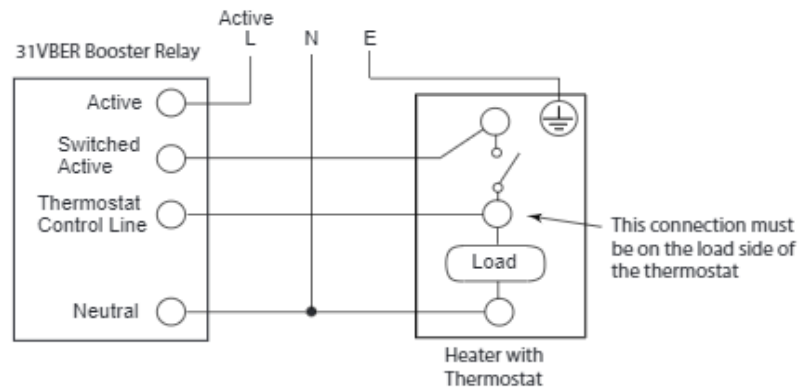


Application

Connect the product as shown in the wiring diagram to the right.

Ensure that the control line de-energises the relay when the thermostat senses the set temperature.



Specifications

The 31VBER must never be operated outside of an approved fixed location.

Specification	Value/Description
Supply voltage	240 Va.c., nominal
Supply frequency	50 Hz
Relay rating	15 A, for resistive load.
Wired Connections	Active line input (Active) 250V mains Neutral line (Neutral) Output (Switched Active) Control (Thermostat Control Line) Wired connections use screw terminals.
Switch type	Pushbutton with neon indicator
Dimensions	Length: 115 mm; Height: 73 mm mounting centres: 84 mm apart
Depth	Plate: 16 mm; Button: 4.5 mm.
Operating ambient temperature	5°-45° C, switch may feel warm to the touch when active.
Operating humidity	10-90% RH, non-condensing
Warranty Period	2 years against manufacturing defects

Technical Support

If you need technical assistance or warranty information, contact your local Schneider Electric sales office or customer care.

Customer care email: <http://www.schneider-electric.com> select Support and your country