

DATASHEET

41E6PBTC3SBM-VW

6 Amp Timeclock with BLE and ControlLink

Application

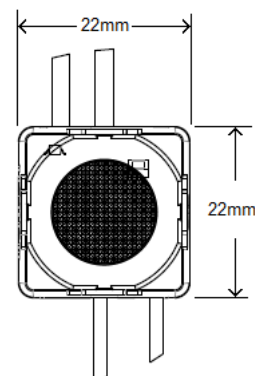
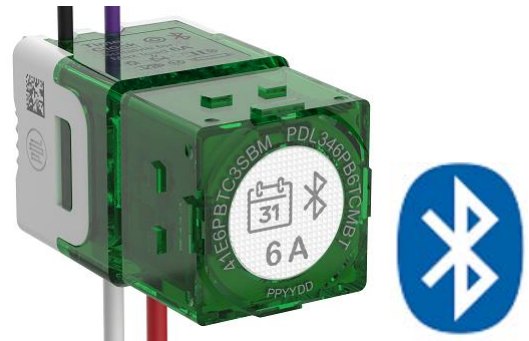
The 6A timeclock is a 3 wire, 6AX maximum rated 24hr/7 day scheduler device with BLE(Bluetooth Low Energy) connectivity, suitable for controlling a huge range of electrical products. With up to 16 individual on/off schedules, the timeclock is a powerful device in a small mechanism package that also includes a configurable manual override timer operated by the pushbutton. Schedules can be configured differently on weekdays and weekends and includes the ability to automatically track with seasonal changes. The tactile pushbutton has been designed to match other pushbutton devices in the range with respect to look and feel. The Wiser Room smartphone App provides a user friendly method for configuration as well as an option for local in-room control. There is also an installer re-store feature that can revert the timeclock back to the setting set by the installer should the user manage to incorrectly configure the timeclock

The timeclock includes Clipsal's ControlLink technology that allows for multi-way triggering of the override timer over conventional mains wiring. A fan run-on timer feature allows for the switched output from a light switch to trigger the unit through the ControlLink terminal to provide an exhaust fan run-on timer.

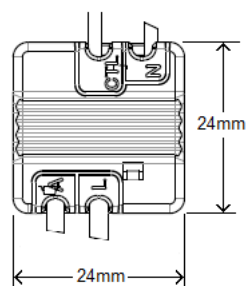
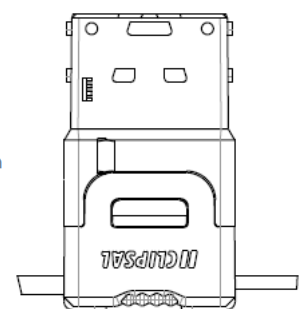
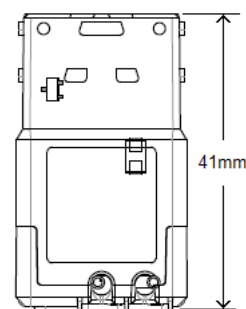
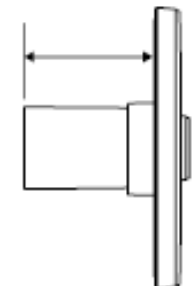
Clipsal's simple momentary ControlLink switch (Cat No 41EPBM-VW) can be connected so that low cost multi-way triggering can be achieved without the need for expensive secondary switch mechanisms. ControlLink will also operate with conventional electro-mechanical switches.

Features

- Configurable LED Indicator
- 16 on/off 24hr / 7day schedules
- Manual override pushbutton timer function
- Configure using Wiser Room App available for both Apple and Android smart devices
- ControlLink for multi-way triggering
- Sunrise, sunset function with automatic seasonal tracking (using geo-location technology in smart phone)
- On board real time clock, (automatically aligns to daylight savings)
- 3 wire design, 6AX rated 240V latching relay contact
- Fan run-on timer feature
- Installer restore feature (within Wiser Room App)
- Comes with Vivid White (VW) push button assembly
- Additional colour options through optional parts packs



Allow a minimum 39mm depth in the wallbox / wall cavity to recess mechanisms and wiring.



Life Is On

CLIPSAL
by Schneider Electric

Specifications

Operating Voltage:	220-240V ac 50Hz
Maximum Load:	6 AX, 6A inductive (0.8pf), motor – M30 (5A@0.5pf)
Minimum Load:	0 W (no minimum load)
Switching Technique:	Latching Relay (switched active output)
Operating Temperature:	0°-45° C
Storage Temperature:	0°-60° C
Ambient Operating & Storage Humidity:	5% ~ 90% Relative Humidity, Non-Condensing
Connection:	Flying Leads (Active, Neutral, Load, ControlLink), Length: 105mm
Schedules:	16 on/off schedules with day and month selection
Over-ride time delay:	Via App: 1 second to 24 hours in 1 second increments Via Push button menu: 30s, 1m, 5m, 15m, 30m, 1h, 2h & 4hr
LED Indicator:	Warm white, configurable modes
Multi-way Control:	Switching through ControlLink using conventional wiring
Plate Compatibility:	40 series mech compatible plates only (e.g. Iconic) . Not suitable for 30 series apertures.
App Details:	Clipsal Wiser Room (available free from App store and Google play)
Compatible Smart devices:	All devices with Android v4.4 or IOS9 or above.
Wireless Technology	Bluetooth Low Energy (BLE) , 2.4GHz. , Point to point only Range: Approximately 10m indoors.
Installer Restore:	Configured within Wiser Room app, (Default Password – 1234)
Real time clock retention:	12 hours minimum. (in event of a power failure)

Derating Details

Mechanisms per Plate	Maximum load per mechanism
1	6 A
2	4.5 A
3	4 A
4	3 A
5	2 A
6	1.5 A

Ordering details

Catalogue No.	Description
41E6PBTC3SBM-VW	6 A Timeclock with manual override and ControlLink (Note – Supplied with VW Push button assembly)
Accessories	
40APB-VW	PB Mech Colour Cap- Vivid White (pk 5)
40APB-WY	PB Mech Colour Cap- Warm Grey (pk 5)
40APB-CY	PB Mech Colour Cap- Cool Grey (pk 5)
40APB-AN	PB Mech Colour Cap- Anthracite (pk 5)



40APB-VW

Schneider Electric (Australia) Pty Ltd

Contact us: clipsal.com/feedback

National Customer Care Enquiries:

Tel 1300 2025 25 Fax 1300 2025 56

New Zealand National Customer Care Enquiries:

Tel 0800 652 999 Fax 0800 101 152

Life Is On

CLIPSAL
by Schneider Electric

Schneider Electric (Australia) Pty Ltd reserves the right to change specifications, modify designs and discontinue items without incurring obligation and whilst every effort is made to ensure that descriptions, specifications and other information in this catalogue are correct, no warranty is given in respect thereof and the company shall not be liable for any error therein.

© 2015 Schneider Electric. All Rights Reserved.

Trademarks are owned by Schneider Electric Industries SAS or its affiliated companies.