

DATASHEET

41EPBDWCLM-VW

Wiser Iconic™ Dimmer with BLE and ControlLink

Application

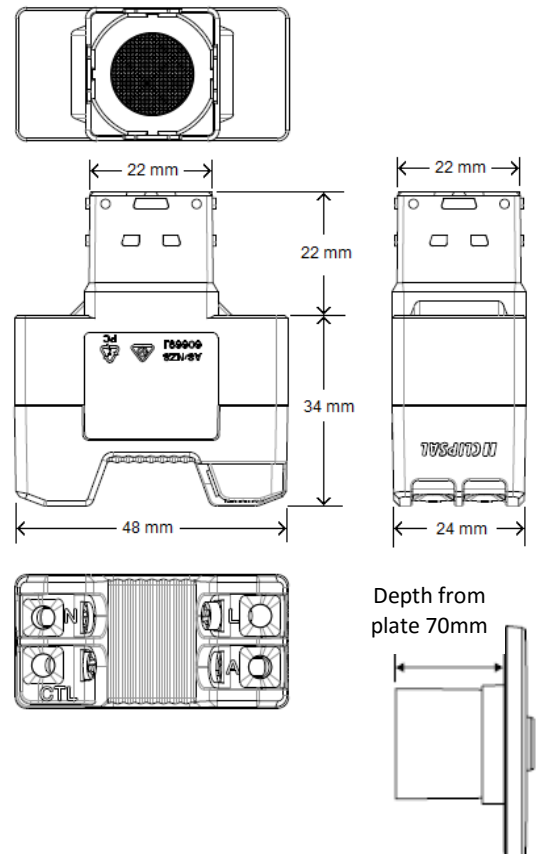
The Wiser Iconic Dimmer provides superior LED dimming performance with new 3 wire universal dimming technology. The new technology means there is no minimum load requirements and a true 0-100% smooth linear LED dimming experience. With simple app controlled dimming and configuration, smart timer and scheduling features, the Wiser Iconic Dimmer makes setup and operation easy, while offering additional value and features to the end user. Along with multiway dimming via ControlLink, the Wiser Iconic dimmer is the perfect dimmer for every home in rooms such as lounge, home theatre, dining and bedrooms.



Functions

- Offers simple app configuration and control from smart devices using Bluetooth Low Energy (BLE) and the Wiser Room app
- Superior LED dimming performance with new 3 wire technology
- True smooth linear LED dimming experience from 0-100%
- Multiway dimming using ControlLink over standard wiring
- Minimum and Maximum brightness adjustment (using the App)
- App configurable LED indicator settings
- App configurable 1s - 24hr Time delay
- 24/7 scheduling functions with selectable dimming levels
- Real time clock - no need to adjust for daylight savings changes
- Sunset/sunrise ability with astronomical clock tracking
- Copy/paste favourite settings to save time with larger installs
- Pair with Clipsal LEDs for the most optimal dimming experience
- Wiser Compatible for future Wiser smart homes
- Supplied with Vivid White (VW) push button assembly, additional colour options available as parts packs

Dimensions



Specifications

Supply Voltage	220 to 240 V, 50 Hz
Maximum Load	300W (LED, Incandescent, 240V Halogen, LV halogen)
Minimum Load	There is no minimum load requirement Note - an error state (flashing LED) will occur if load is open circuit
Standby Power	Does not exceed 0.3 W
Wiring Type	3 Wire (requires a neutral)
Connection Terminals	Screw type, square head & combination head (Suits: 3x1.5 mm cable, Torque: 0.8 Nm)
Max Dimmers per plate	3 (de-rating applies)
Multiway Dimming	Yes, up to 5 way (using up to 4 Smart ControlLink remote mechs).
Max ControlLink cable length	50m
Time Delay	1s – 24hr – configurable via App, timer starts once finger removed from push button or app
Scheduler	16 x 24/7 Schedules, Select from - Max, high, med, or low brightness levels. (Note - Scheduler will not operate if timer is enabled)
Real time clock retention	12 hours minimum. (in event of a power failure)
Wireless Technology enabled	Bluetooth Low Energy (BLE), 2.4GHz. Point to Point only. Range: Approximately 10 m indoors.
App details	Clipsal Wisier Room (available free from App store and Google Play)
Compatible Smart devices	All devices with Android v4.4 or IOS9 or above
Installer Restore	Configured within Wisier Room app, (Default Password – 1234)
IP rating	IP20 (indoor use only)
Environmental status	Green Premium Product (Environmental profile available)
Wiser Compatible	Yes, contains Wiser Chip for future scalable smart homes
LED Indicator Options	Warm White, default mode: On when load is off, Off when load is On. 4 configurable modes
Temperature Ratings	0 to 45° C (0 to 60° C storage)
Ambient Operating & Storage Humidity Range	5% to 90% relative humidity, non-condensing (Storage: 5% to 95% C RH non-condensing)
Compliance	AS/NZS 60669.2.1, AS/NZS CISPR-15, AS/NZS 60529
Warranty	2 years
Depth in wall	70 mm required. Requires a deep wall box

*Refer to Clipsal.com/load for recommended Clipsal LEDs for optimum performance

Schneider Electric (Australia) Pty Ltd
Contact us: Clipsal.com/feedback

National Customer Care Enquiries:
Tel 1300 2025 25 Fax 1300 2025 56
New Zealand National Customer Care Enquiries:
Tel 0800 652 999 Fax 0800 101 152

Schneider Electric (Australia) Pty Ltd reserves the right to change specifications, modify designs and discontinue items without incurring obligation and whilst every effort is made to ensure that descriptions, specifications and other information in this catalogue are correct, no warranty is given in respect thereof and the company shall not be liable for any error therein.

Multi-gang de-rating

1	300 W
2	225 W
3	150 W

Ordering Information

Catalogue Number	Description
41EPBDWCLM-VW	Wiser Iconic Push-Button LED Dimmer mechanism with BLE and ControlLink, 300W, 3-wire (supplied with VW Push-Button assembly)

Accessories

40APB-VW	PB Mech Colour Cap - Vivid White (pk 5)
40APB-WY	PB Mech Colour Cap - Warm Grey (pk 5)
40APB-CY	PB Mech Colour Cap - Cool Grey (pk 5)
40APB-AN	PB Mech Colour Cap - Anthracite (pk 5)



40APB-VW

NOTE: For use in 40 Mech compatible wall plates only (e.g. Iconic). Not suitable for 30 series apertures.

Schneider Electric (Australia) Pty Ltd
Contact us: [Clipsal.com/feedback](https://clipsal.com/feedback)

National Customer Care Enquiries:
Tel 1300 2025 25 Fax 1300 2025 56
New Zealand National Customer Care Enquiries:
Tel 0800 652 999 Fax 0800 101 152

Schneider Electric (Australia) Pty Ltd reserves the right to change specifications, modify designs and discontinue items without incurring obligation and whilst every effort is made to ensure that descriptions, specifications and other information in this catalogue are correct, no warranty is given in respect thereof and the company shall not be liable for any error therein.