

# DATASHEET

## 42E350RLD2M-VW

Iconic Rotary LED Dimmer Mechanism

### Application

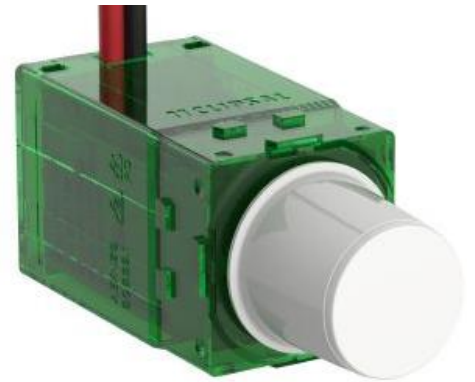
The Clipsal Iconic rotary LED dimmer mechanism has been designed to provide optimum dimming capabilities to most modern loads.

A user configurable minimum brightness setting allows the minimum brightness to be set after the mechanism has been installed into a plate and fixed to the wall.

The robust design includes over-temperature, over-current as well as short circuit protection.

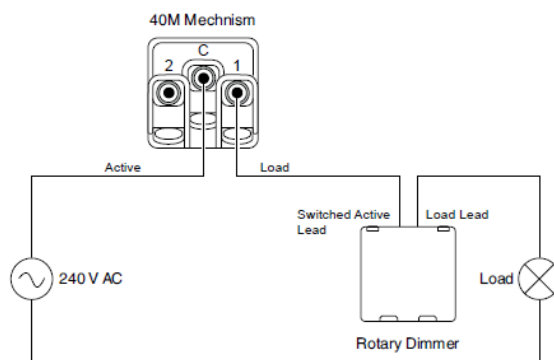
### Features

- LED dimming technology for smooth full range control
- 2 wire design, 350W max, 1W min load
- Minimum brightness adjustment down to 1% (Load dependent)
- In-built over-current and over-temperature protection
- In-built short-circuit protection
- Supplied with VW (Vivid White) knob kit
- Additional dimmer knob colour options available as parts packs
- Optimised for controlling Clipsal TPD series LEDs.

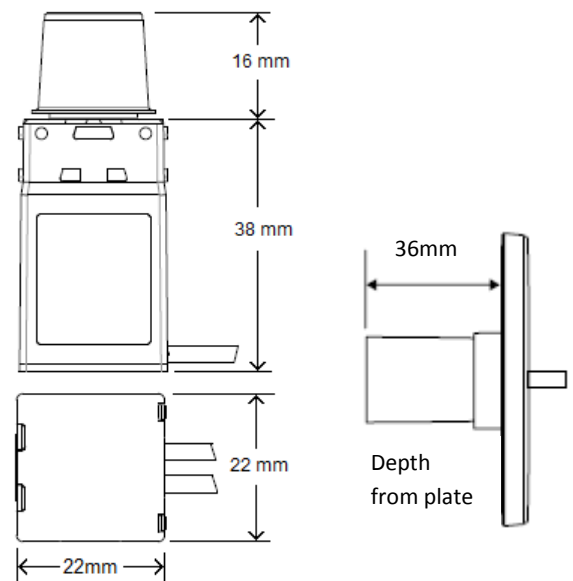
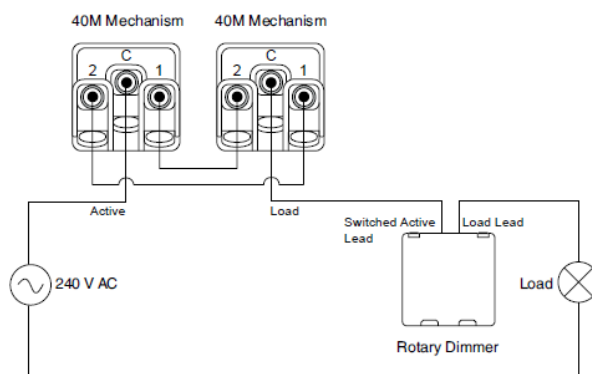


Clipsal TPD1C1 LEDs

### One-Way Application (example)



### Two-Way Application (example)



Life Is On

**CLIPSAL**  
by Schneider Electric

## Specifications

Operating Voltage:	220-240V ac 50Hz
Maximum Load (Dimming):	350 W
Minimum Load (Dimming):	1 W
Dimming Technique:	Trailing Edge Phase Control
Operating Temperature:	0°-45° C
Storage Temperature:	0°-60° C
Ambient Operating & Storage Humidity:	5% ~ 90% Relative Humidity, Non-Condensing
Minimum Brightness adjustment:	Yes, mechanical end-stop, user configurable down to 1% (load dependant)
Compatible Loads:	*Dimmable LED lighting with compatible electronic transformers
	Incandescent lighting, Halogen 240 V lamps
	Low voltage halogen/dichroic lighting with compatible electronic transformers
	Dimmable Linear and Compact Fluorescent Lamps
Connections:	Flying Leads 105mm
Protection:	Short circuit, Over Current and Over Temperature
Safety Compliance:	AS/NZS 60669.2.1
EMC Emission Compliance:	AS/NZS 60669.2.1
*Refer to Clipsal.com/load for recommended Clipsal LED loads	

## Derating Details

Mechanisms per Plate	Maximum load per mechanism
1	350 W
2	250 W (each dimmer)
3	150 W (each dimmer)

## Ordering details

Catalogue No.	Description
42E350RLD2M-VW	Rotary LED Dimmer Mechanism (Note: supplied with VW knob kit)
Accessories	
40EDIMKB-VW	Rotary Dimmer Parts Pack- Vivid White
40EDIMKB-WY	Rotary Dimmer Parts Pack- Warm Grey
40EDIMKB-CY	Rotary Dimmer Parts Pack- Cool Grey
40EDIMKB-AN	Rotary Dimmer Parts Pack- Anthracite



40EDIMKB-VW

Life Is On **CLIPSAL**

Schneider Electric (Australia) Pty Ltd

Contact us: [clipsal.com/feedback](http://clipsal.com/feedback)

National Customer Care Enquiries:

Tel 1300 2025 25 Fax 1300 2025 56

New Zealand National Customer Care Enquiries:

Tel 0800 652 999 Fax 0800 101 152

Life Is On

**CLIPSAL**  
by Schneider Electric

Schneider Electric (Australia) Pty Ltd reserves the right to change specifications, modify designs and discontinue items without incurring obligation and whilst every effort is made to ensure that descriptions, specifications and other information in this catalogue are correct, no warranty is given in respect thereof and the company shall not be liable for any error therein.

© 2015 Schneider Electric. All Rights Reserved.

Trademarks are owned by Schneider Electric Industries SAS or its affiliated companies.