

DATASHEET

6500ADS-WE

Fan Light Heater, Ceiling-Vent

Add some sunshine to your bathroom with Clipsal's range of Fan Light Heaters. A convenient three-in-one unit, our range combines a light and fan for general bathroom use and heat lamps for those cold winter mornings. Both ceiling-vent and ductable versions are available.



Features

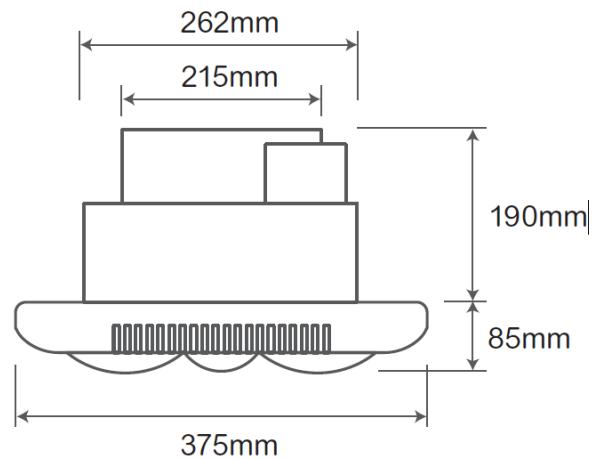
- Axial fan.
- Low energy LED centre globe.
- 275W heat globes.
- 5 year warranty.

Applications

- **Residential:** Bathrooms

Specifications

| | |
|------------------------|---|
| Cubic meter per hour | 338m ³ /h (290m ³ /hr with backdraught shutter) |
| Heat Lamps | 4x 275W |
| Centre Lamp | 8W LED |
| Minimum Ceiling Cavity | 500mm |
| Rated voltage | 240V, 50Hz |
| Watts | 1250W |
| Motor type | Double Insulated Ball Bearing |
| Decibel rating at 3m | 46dBA |
| Switch | C2000 Heat, Heat, Light and Fan (supplied) |



Schneider Electric (Australia) Pty Ltd
Contact us: Clipsal.com/feedback

National Customer Care Enquiries:
Tel 1300 2025 25 Fax 1300 2025 56
New Zealand National Customer Care Enquiries:
Tel 0800 652 999 Fax 0800 101 152

Schneider Electric (Australia) Pty Ltd reserves the right to change specifications, modify designs and discontinue items without incurring obligation and whilst every effort is made to ensure that descriptions, specifications and other information in this catalogue are correct, no warranty is given in respect thereof and the company shall not be liable for any error therein.