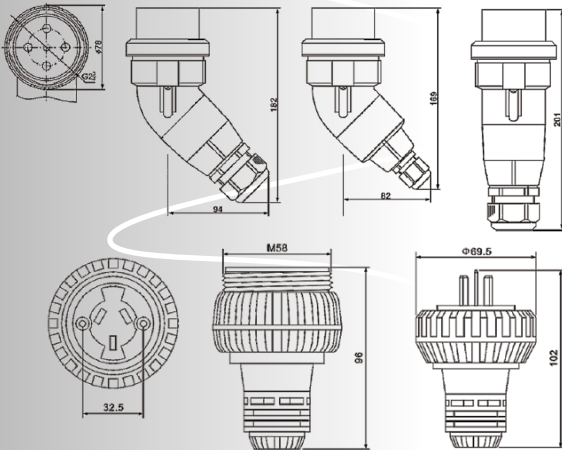


### Features

- Certified to AS/NZS3123, AS/NZS3112 and AS/NZS3100
- IP66 rating prevents water and dust ingress
- Large cable terminals with internal wiring for easy installation
- Made from impact resistant plastic materials for guaranteed long life after installation
- Rated Voltage: 250V/500V AC
- Rated Frequency: 50/60Hz

**IMPORTANT** - Must be installed:

To manufacturers specification and by a qualified licensed electrician



Straight Part No.	Angled Part No.	Description	Phases	Voltage	CTN Qty
NLS30470	N/A	3 Flat Pins Male Plug 10A	1	250V	50
NLS30471	N/A	3 Flat Pins Male Plug 15A	1	250V	50
NLS30519	N/A	3 Flat Pins Male Plug 20A	1	250V	50
NLS30520	NLS30685	3 Round Pins Straight/Angled Male Plug 20A	1	250V	30
NLS30521	NLS30571	3 Round Pins Straight/Angled Male Plug 32A	1	250V	30
NLS30522	NLS30628	4 Round Pins Straight/Angled Male Plug 10A	3	500V	30
NLS30472	NLS30473	4 Round Pins Straight/Angled Male Plug 20A	3	500V	30
NLS30474	NLS30627	4 Round Pins Straight/Angled Male Plug 32A	3	500V	30
NLS30609	NLS30610	4 Round Pins Straight/Angled Male Plug 40A	3	500V	30
NLS30611	NLS30612	4 Round Pins Straight/Angled Male Plug 50A	3	500V	30
NLS30475	NLS30572	5 Round Pins Straight/Angled Male Plug 10A	3	500V	30
NLS30476	NLS30477	5 Round Pins Straight/Angled Male Plug 20A	3	500V	30
NLS30478	NLS30573	5 Round Pins Straight/Angled Male Plug 32A	3	500V	30
NLS30479	NLS30574	5 Round Pins Straight/Angled Male Plug 40A	3	500V	30
NLS30480	NLS30575	5 Round Pins Straight/Angled Male Plug 50A	3	500V	30