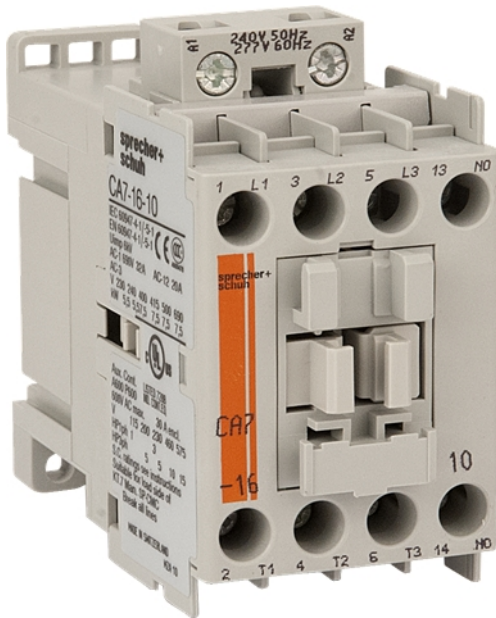


Catalogue No: CA7-16-10-415VAC

CONTACTOR 7.5kW 3P 415V AC COIL 1NO AUXILIARY

Motor Control and Drives > Motor Starting and Protection > Contactors > Sprecher + Schuh Contactors > CA7 Contactors 4 to 55kW > 3 Pole Contactors with AC Coil



Representative Photo Only
(actual product may vary based on configuration selections)

Contactor 3 pole 16A 7.5kW 1N/O Auxiliary 415V AC Coil

- Available in AC or DC control coil versions to suit your application requirements
- Common accessories across CA7 contactors simplifies inventory requirements and maximises usability
- Reversible (line or load side) coil terminations provides total flexibility
- DIN rail mountable for easy installation

SPECIFICATIONS

Product Series	CA7-16
Component Type Motor Control and Drives	Standard Contactor
Ie, Rated Operational Current, AC-1, 415V, 40°C	32 A@415V,40°C
kW Rating, AC-3, 415V, 60°C	7.5 kW @415V, 60°C
Ie, Rated Operational Current, AC-3, 415V, 60°C	16 A@415V,60°C
kW Rating, AC-3, 690V, 60°C	7.5 kW @690V, 60°C
Ie, Rated Operational Current, AC-3, 690V, 60°C	9 A@690V,60°C
Number of Poles	3
Contact Configuration, Main Poles	3 NO main poles
Coil Type	Conventional type
Integrated Aux	1 N/O
Coil Voltage	415 V AC V
Un, Coil Voltage, AC @50Hz, Nom	415 V AC nom @50Hz
Un, Coil Voltage, AC @50Hz, Min	353 V AC min @50Hz
Un, Coil Voltage, AC @50Hz, Max	456 V AC max @50Hz
Tightening Torque, Power Terminals, max	2 Nm max
IP Rating	IP20

Catalogue No: CA7-16-10-415VAC

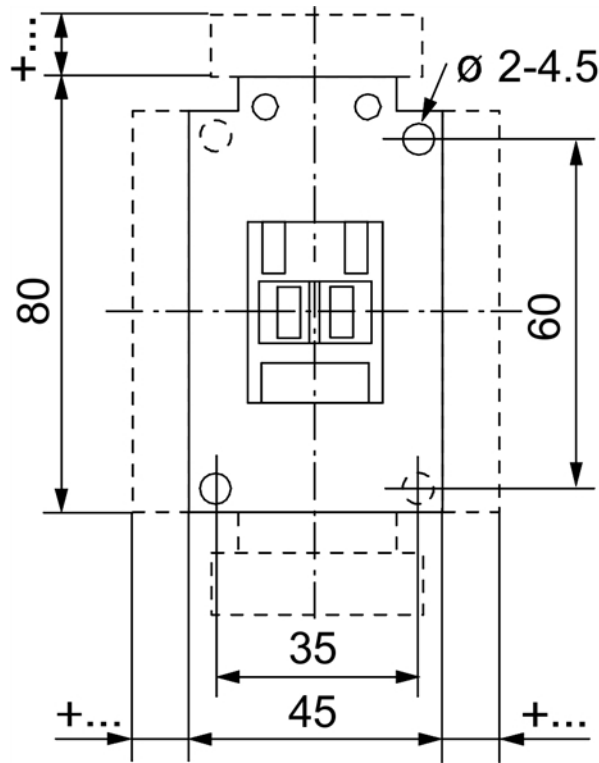
CONTACTOR 7.5kW 3P 415V AC COIL 1NO AUXILIARY

Motor Control and Drives > Motor Starting and Protection > Contactors > Sprecher + Schuh Contactors > CA7 Contactors 4 to 55kW > 3 Pole Contactors with AC Coil



REFERENCES

IECEX Certificate	-
Supplier Declaration of Conformity:	-
Installation Guide:	-
User Manual:	-
Manufacturer Datasheet:	-
Manufacturer Catalogue & Product Selection:	-



Dimension Diagram

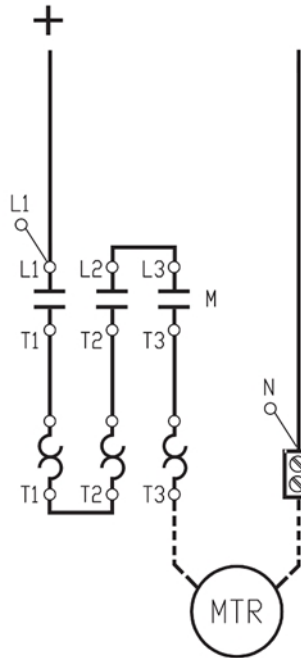
Catalogue No: **CA7-16-10-415VAC**

CONTACTOR 7.5kW 3P 415V AC COIL 1NO AUXILIARY

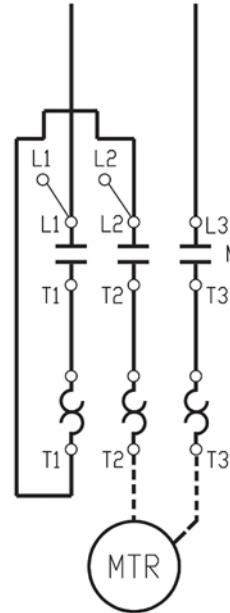
Motor Control and Drives > Motor Starting and Protection > Contactors > Sprecher + Schuh Contactors > CA7 Contactors 4 to 55kW > 3 Pole Contactors with AC Coil



OPTION A

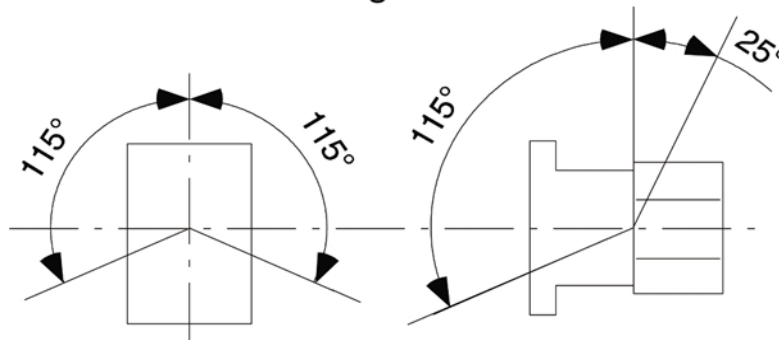


OPTION B



Connection / Wiring Diagram

Mounting Position



Technical Diagram