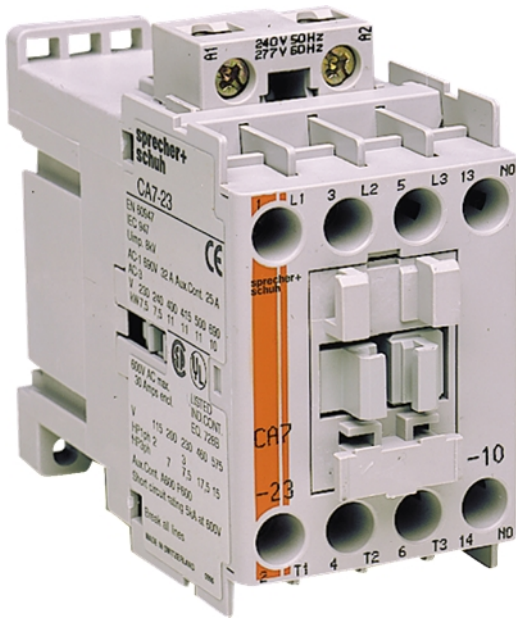


Catalogue No: CA7-23-10-415VAC

CONTACTOR 11kW 3P 415V AC COIL 1NO AUXILIARY

Motor Control and Drives > Motor Starting and Protection > Contactors > Sprecher + Schuh Contactors > CA7 Contactors 4 to 55kW > 3 Pole Contactors with AC Coil



Contactor 3 pole 23A 11kW 1N/O Auxiliary 415V AC Coil

- Available in AC or DC control coil versions to suit your application requirements
- Common accessories across CA7 contactors simplifies inventory requirements and maximises usability
- Reversible (line or load side) coil terminations provides total flexibility
- DIN rail mountable for easy installation

Representative Photo Only
(actual product may vary based on configuration selections)

SPECIFICATIONS

| | |
|---|--------------------|
| Product Series | CA7-23 |
| Component Type Motor Control and Drives | Standard Contactor |
| Ie, Rated Operational Current, AC-1, 415V, 40°C | 32 A@415V,40°C |
| kW Rating, AC-3, 415V, 60°C | 11 kW @415V, 60°C |
| Ie, Rated Operational Current, AC-3, 415V, 60°C | 23 A@415V,60°C |
| kW Rating, AC-3, 690V, 60°C | 10 kW @690V, 60°C |
| Ie, Rated Operational Current, AC-3, 690V, 60°C | 12 A@690V,60°C |
| Number of Poles | 3 |
| Contact Configuration, Main Poles | 3 NO main poles |
| Coil Type | Conventional type |
| Integrated Aux | 1 N/O |
| Coil Voltage | 415 V AC V |
| Un, Coil Voltage, AC @50Hz, Nom | 415 V AC nom @50Hz |
| Un, Coil Voltage, AC @50Hz, Min | 353 V AC min @50Hz |
| Un, Coil Voltage, AC @50Hz, Max | 456 V AC max @50Hz |
| Tightening Torque, Power Terminals, max | 2 Nm max |
| IP Rating | IP20 |

Catalogue No: CA7-23-10-415VAC

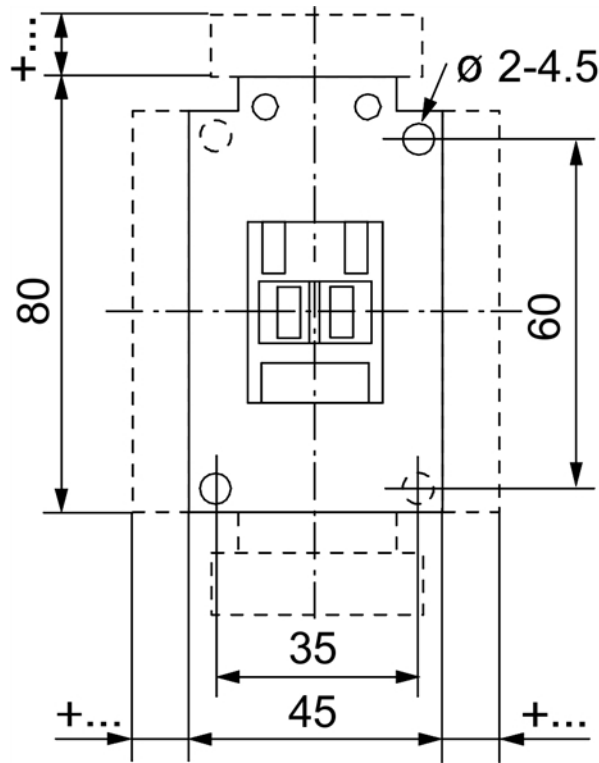
CONTACTOR 11kW 3P 415V AC COIL 1NO AUXILIARY

Motor Control and Drives > Motor Starting and Protection > Contactors > Sprecher + Schuh Contactors > CA7 Contactors 4 to 55kW > 3 Pole Contactors with AC Coil



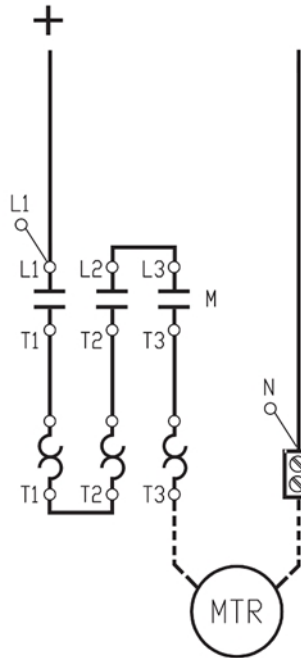
REFERENCES

| | |
|---|---|
| IECEX Certificate | - |
| Supplier Declaration of Conformity: | - |
| Installation Guide: | - |
| User Manual: | - |
| Manufacturer Datasheet: | - |
| Manufacturer Catalogue & Product Selection: | - |

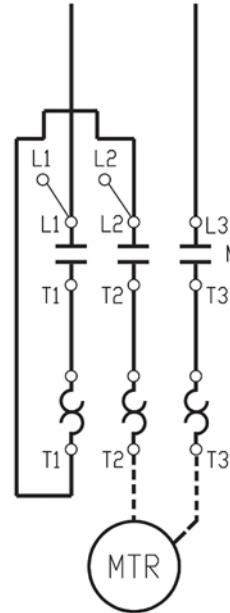


Dimension Diagram

OPTION A

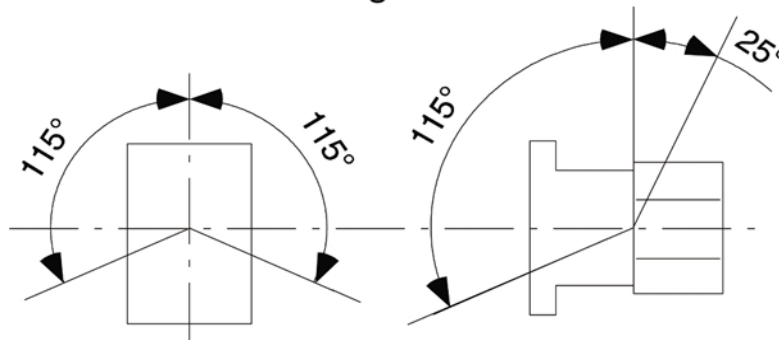


OPTION B



Connection / Wiring Diagram

Mounting Position



Technical Diagram