



CLP501902
PDL501902

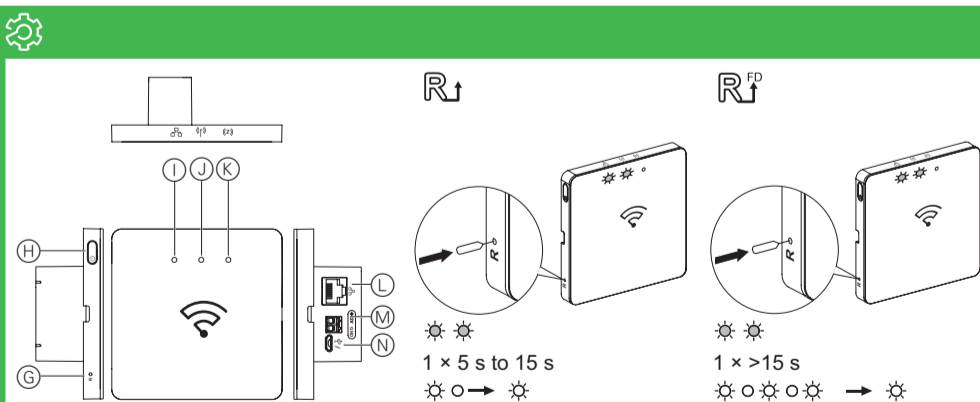
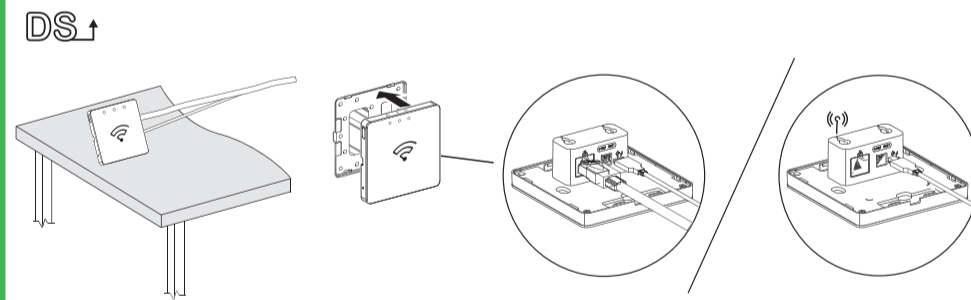
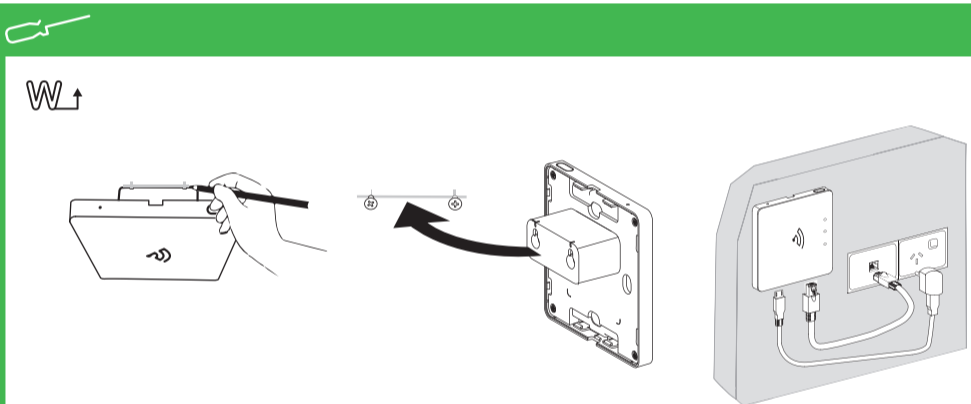
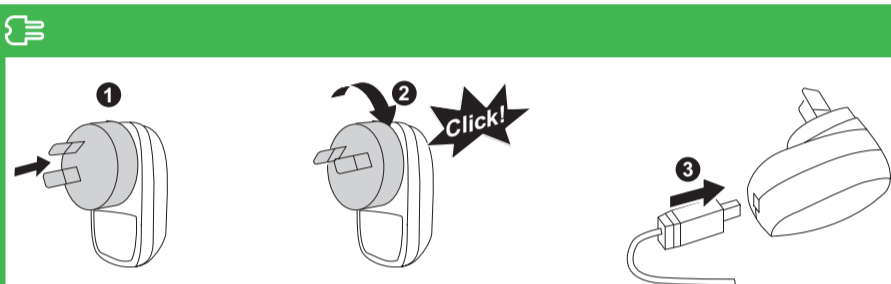
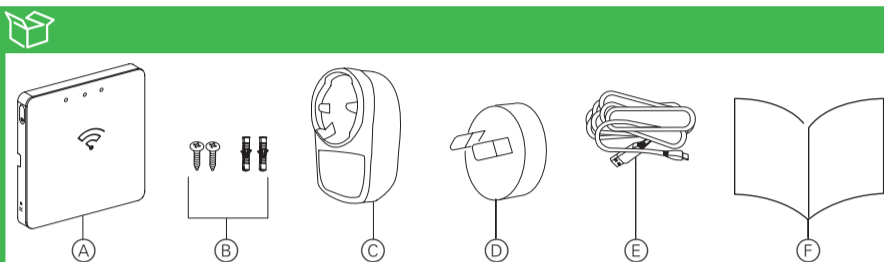
WiFer™

Detailed production information is available online in the system user guide: Scan the QR code for your region.

AU



NZ



Wiser Hub

Prerequisites

Scan the QR code to download the **Wiser by SE App** to your smartphone, to configure and control Wiser devices.



App Store URL:
<https://itunes.apple.com/us/app/wiser-by-se/id1026806919?ls=1&mt=8>



Google Play Store URL:
<https://play.google.com/store/apps/details?id=com.schneiderelectric.WiserBySE>

For your safety

⚠️ DANGER

HAZARD OF ELECTRIC SHOCK, EXPLOSION, OR ARC FLASH

- It is illegal for persons other than an appropriately licensed electrical contractors or other persons authorised by legislation to work on the fixed wiring of any electrical installation.
- To comply with all safety standards, the product must be used only for the purpose described in this instruction and must be installed in accordance with the wiring rules and regulation in the location where it is installed.
- Lock out and tag the input circuit before accessing the wiring connections.
- There are no user serviceable parts inside the product.

Failure to follow these instructions will result in death or serious injury.

Getting to know the product

The Wiser Hub (hereinafter known as **hub**) is a communication interface that can be connected to all your Wiser Zigbee devices, enabling you to easily manage your home environment.

Functions

- Monitors and controls Wiser Zigbee devices through the mobile app, ethernet or Wi-Fi®.
- Through the Wiser by SE App you can create *Moments* or *Automations* to operate Wiser Zigbee devices.

Package contents

- A) Wiser Hub
- B) Screws: 2 × ST4.2 × 25 mm with wall plug
- C) AC adaptor
- D) 2-pin plug
- E) AC adaptor USB cable
- F) Installation instructions

Mounting the hub

Installing the AC adaptor

⚠️ DANGER

RISK OF ELECTRIC SHOCK, EXPLOSION OR ARC FLASH

Make sure that the 2-pin plug is inserted in the correct position and rotated clockwise 90° until the plug firmly locks onto the AC adaptor with a 'click' sound.

Failure to follow these instructions will result in death or serious injury.

Choosing the installation location

The hub can be installed on:

- Wall
- Table, using the separately available Wiser Hub Table Stand CLP501902_0001 or PDL501902_0001

Connecting the gateway



To power the hub, use either the supplied AC adaptor or a suitable 12 VDC power supply.

⚠️ DANGER

RISK OF ELECTRIC SHOCK, EXPLOSION OR ARC FLASH

Make sure that the 12 VDC power supply is turned off before making connections to the hub.

Failure to follow these instructions will result in death or serious injury.

Recommended power supply for different mounting options:

Hub mounted directly on wall: use the supplied AC adaptor.

Hub installed on table using Table Stand: use the supplied AC adaptor.

NOTICE

EQUIPMENT DAMAGE

- If the hub is powered through the micro USB port use the provided AC adaptor only.
- If the hub is powered through the terminal block use a suitable 12 VDC power supply only.

Failure to follow these instructions can result in equipment damage.

Operating elements

- G) Reset button
- H) Power button
- I) Ethernet LED
- J) Wi-Fi® LED

- K) Zigbee LED
- L) Ethernet port
- M) Terminals for power supply (12 VDC)
- N) Micro USB port for the AC adaptor

Resetting the hub



The hub supports ethernet and Wi-Fi® connections.

Resetting the Ethernet and Wi-Fi® settings



Resetting the hub to factory default



Upon successful reset all configuration data, user data and network data are deleted.

Operating the hub

Prerequisites

The hub must be properly installed and powered on.

Configuring the hub

The hub can be configured through the Wiser by SE App.

For detailed configuration procedures refer to the system user guide.

Behaviour of the LEDs

Refer to the system user guide.

Troubleshooting

Refer to the system user guide.

Technical data

AC power adaptor	Model number: CPS008050100*
	Input: 100-240 VAC, 50/60 Hz
	Output: 5.0 VDC, 1.0 A, 5.0 W
	Average active efficiency: 73.7% @115 VAC, 230 VAC
	No-load power consumption: 0.08 W @115 VAC, 230 VAC
Power supply	5 VDC/1.0 A AC power adaptor through micro USB port
	12 VDC/0.5 A power supply through 2-pin terminal block (not included in the package)
Connector type	Micro USB port for the AC adaptor
	2-pin terminal block
	Cable type: 0.25 mm ² to 1.50 mm ²
Communication interface	Ethernet: IEEE802.3, 10/100 base-T (LAN)
	Wi-Fi®: 2.4 GHz, IEEE802.11 b/g/n
	Zigbee: 2.4 GHz, IEEE802.15.4 compliant
Operating frequency	2405 - 2480 MHz (Zigbee) 2412 - 2472 MHz (Wi-Fi®)
Max. radio-frequency power transmitted	<10 mW (Zigbee) <67 mW (Wi-Fi®)
System clock	RTC function with coin battery (CR1220)
IP rating	IP20
Operating temperature	0 °C to 40 °C, indoor use only
Relative humidity	10% to 90%, non-condensing
Product dimensions (H × W × D)	86 × 86 × 34 mm
Certification	Zigbee 3.0
Compliance	

Trademarks

- Apple® and App Store® are brand names or registered trademarks of Apple Inc.
- Google Play™ Store and Android™ are brand names or registered trademarks of Google Inc.
- Wi-Fi® is registered trademark of Wi-Fi Alliance®.
- Wiser™ is a trademark and the property of Schneider Electric SE, its subsidiaries and affiliated companies.
- Zigbee® is a registered trademark of the Zigbee Alliance.

Other brands and registered trademarks are properties of their relevant owners.

Customer Care

Warranty information

We warrant this product for 1 year. See **Warranty** links below.

Schneider Electric (Australia) Pty Ltd

33-37 Port Wakefield Road, Gepps Cross SA 5094

Customer Care: 13 73 28

Email: customercare.au@se.com

Warranty:

<https://www.se.com/au/en/about-us/legal/terms-and-conditions.jsp>

Schneider Electric (NZ) Ltd

Building 6, 60 Highbrook Drive, East Tamaka, Auckland 2013

Customer Care: 0800 652 999

Email: sales@nz.schneider-electric.com

Warranty:

<https://www.se.com/nz/en/about-us/legal/terms-and-conditions.jsp>
www.se.com