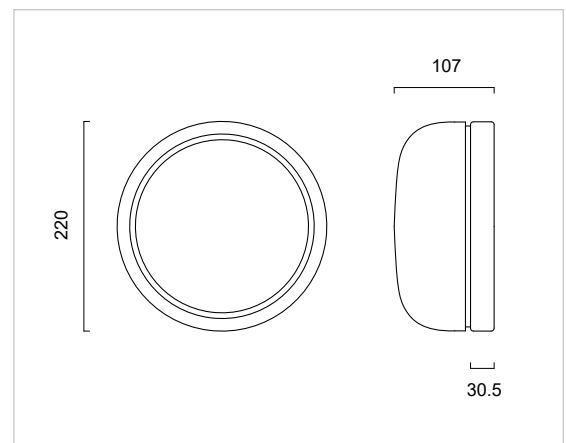


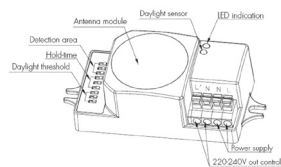
DUX BUTTON

OVERVIEW	Surface mounted ceiling and wall luminaire with a simple neat design. Completely non-corrosive. Energy efficient fluorescent lamps and LED boards.	
APPLICATION	Suitable for all residential applications.	
FEATURES	Double insulated. Wide tunnel terminals for ease of installation. Microwave sensor available as an accessory in the LED fittings.	
COLOURS	Black and White.	
WARRANTY	5 years on base and lens. 2 years on electronic components.	
IP RATING	IP44 when supplied with grommet.	
MATERIALS	Base	Polypropylene
	Lens	Polypropylene
	Reflector	Polished Aluminium
LED COLOURS	3000K, 4000K or 5000K	
POWER INPUT	240V AC	
LAMP OPTIONS	BC lamp holder, PL/PLC Lamp or 10w LED Boards, (ES Lamp holder available on request).	
LUMENS	10W	4000K - 689 Lumens



MICROWAVE SENSOR

The smallest HF motion sensor on the planet, worldwide patented. This sensor is a motion switch, which turns on the light on detection of human movement, and turns off after a pre-selected hold time when there is no people around. A daylight sensor is also built-in to prevent the light switching on when there is sufficient natural light.



Specification Preview: D220

CODE	DESCRIPTION	LIGHT SOURCE
D220T	Dux Button BC Lamp Holder	15
D220T-IP44	Dux Button IP44 75W Max	15
D220/9	Dux Button 1 x 9W PL	9
D220/9x2	Dux Button 2 x 9W PL	18
D220-L10-3K	Dux Button 10W LED 3000K	10
D220-L10-4K	Dux Button 10W LED 4000K	10
D220-L10-5K	Dux Button 10W LED 5000K	10

*If your preferred lamp source is not stated above, please contact us as different options are available.

DUX LIGHTING
4 Villiers Drive
Currumbin QLD 4223

Phone: 61+7 5598 1216
Fax: 61+7 5598 1972
Web: duxlighting.com.au

