



CE-AI-A-150-EC

CEILING EXTRACTOR FAN ALPHA EC MOTOR - 150MM SPIGOT-BACKDRAFT DAMPER (ROUND WHITE GRILL - INCLUDES FAN HOUSING)



PERFORMANCE REQUEST

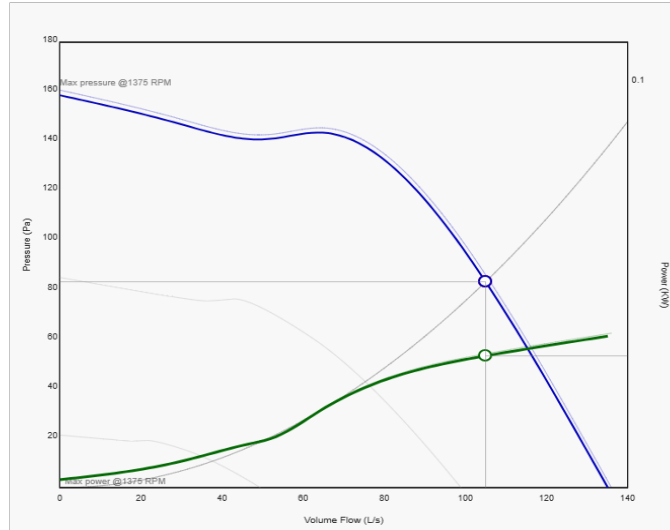
Parameter	Specified Value	Actual Value
Air Qty:	105 L/s	105 L/s
Static Pressure:	83.2 Pa	83 Pa
Air Density:	1.20412 kg/m ³	1.20412 kg/m ³
Install Type:	B	B
Atmos. Temp:	20 °C	20 °C
Altitude:	0 m	0 m
Humidity:	0 %	0 %

FAN DATA

Parameter	Value	
Product code:	CE-AI-A-150-EC	
Diameter:	150 mm	Fan Weight: 0 Kg
Impeller Type:	Centrifugal	W / H / L: -/-/-
Blade Material:	PL	Pitch: -
Speed:	1366/99 RPM/%	Blades: -
Power, Abs:	-	Form: -
Input Power:	0.03 kW	Peak: 0.04 kW
Eff Total:	33.7 %	Static Eff: 26.8 %

MOTOR SPECIFICATIONS

Parameter	Value
Electrical supply:	240V 1 phase 50Hz
Power:	0.038 kW
Full Load Current:	0.25 A
Poles:	-
Speed:	1366 RPM
Type / Usage:	Rotor / Standard
Frame:	-
FLC/Start:	0.25 / - A
Efficiency:	-



2019/2022 NCC/BCA Section J Compliant

Total Sound Pressure (LpA)	
Inlet Sound	36 dBA @3M
PLEASE NOTE: 'A' weighted pressures in dBA are approximate as octave data is not available for this fan	

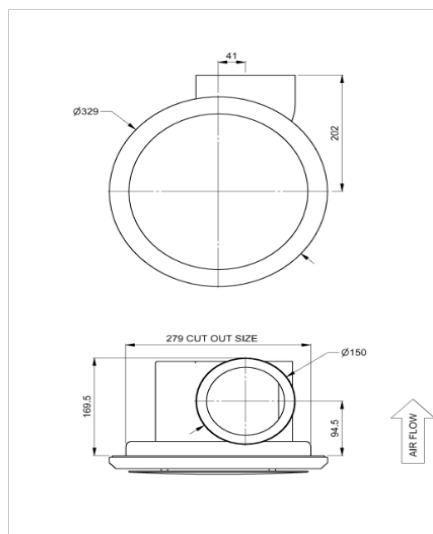
Sound levels are quoted as in-duct values at the point of optimal performance. Spectrum values are sound power levels Lw (dB). Overall sound pressure Lp is for an average spherical free-field for comparative use only.

CE-AI-A-150-EC

CEILING EXTRACTOR FAN ALPHA EC MOTOR - 150MM SPIGOT-BACKDRAFT DAMPER (ROUND WHITE GRILL - INCLUDES FAN HOUSING)



DIMENSIONS



WIRING DIAGRAM

