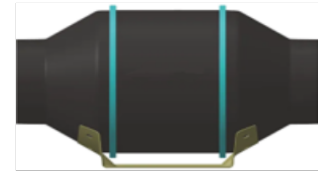




## IM-AI-100-ECE-040

INLINE MIXED FLOW FAN - 100MM Dia. , EC MOTOR, SINGLE PHASE, 40 W



### PERFORMANCE REQUEST

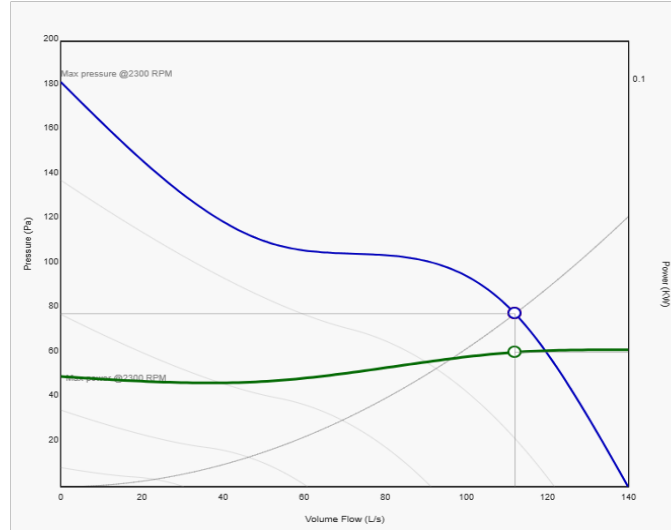
Parameter	Specified Value	Actual Value
Air Qty:	112 L/s	112 L/s
Static Pressure:	77.7 Pa	78 Pa
Air Density:	1.20412 kg/m <sup>3</sup>	1.20412 kg/m <sup>3</sup>
Install Type:	D	D
Atmos. Temp:	20 °C	20 °C
Altitude:	0 m	0 m
Humidity:	0 %	0 %

### FAN DATA

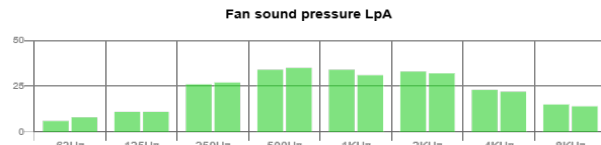
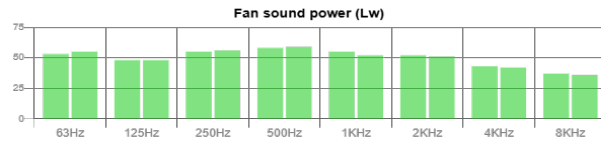
Parameter	Value
Product code:	IM-AI-100-ECE-040
Diameter:	100 mm
Impeller Type:	Mixed Flow
Blade Material:	PL
Speed:	2298/100 RPM/%
Power, Abs:	-
Input Power:	0.03 kW
Eff Total:	70.9 %
Fan Weight:	1.6 Kg
W / H / L:	203/187/303
Pitch:	-
Blades:	-
Form:	-
Peak:	0.03 kW
Static Eff:	26.2 %

### MOTOR SPECIFICATIONS

Parameter	Value
Electrical supply:	240V 1 phase 50Hz
Power:	0.0337 kW
Full Load Current:	0.28 A
Poles:	-
Speed:	2298 RPM
Type / Usage:	Rotor / Standard
Frame:	-
FLC/Start:	0.28 / 0.1 A
Efficiency:	-



2019/2022 NCC/BCA Section J Compliant



### Fan Sound at Operating Conditions

Octave #	1	2	3	4	5	6	7	8	Total
Octave Band	63Hz	125Hz	250Hz	500Hz	1000Hz	2000Hz	4000Hz	8000Hz	
Power Lw - Inlet	53 dB	48 dB	55 dB	58 dB	55 dB	52 dB	43 dB	37 dB	62 dB
Power Lw - Outlet	55 dB	48 dB	56 dB	59 dB	52 dB	51 dB	42 dB	36 dB	63 dB
Pressure LpA - Inlet	6 dBA	11 dBA	26 dBA	34 dBA	34 dBA	33 dBA	23 dBA	15 dBA	39 dBA @3m
Pressure LpA - Outlet	8 dBA	11 dBA	27 dBA	35 dBA	31 dBA	32 dBA	22 dBA	14 dBA	38 dBA @3m

Sound levels are quoted as in-duct values at the point of optimal performance. Spectrum values are sound power levels Lw (dB). Overall sound pressure Lp is for an average spherical free-field for comparative use only.

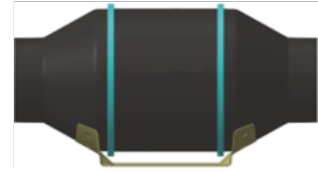
1 IM-AI-100-ECE-040

#### DISCLAIMER:

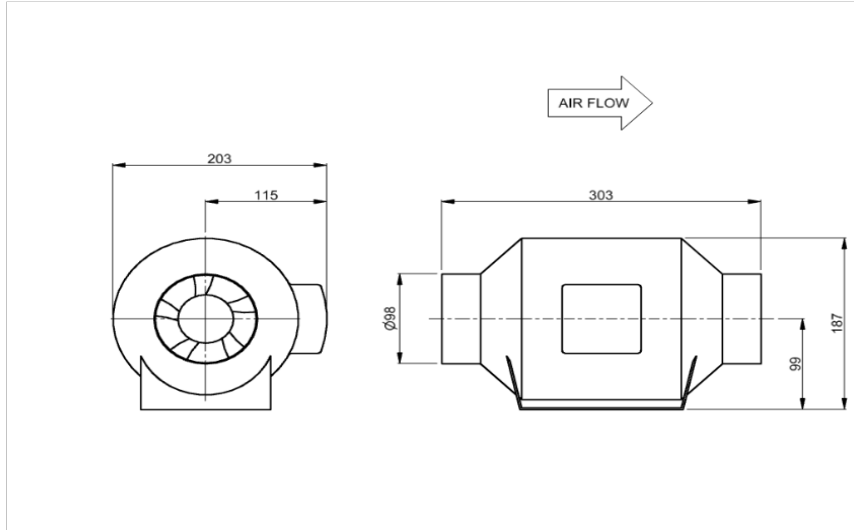
1. Data shown is manufacturer's data, or data derived from manufacturer's data, that has been adjusted, where necessary, to consider the fully assembly of the product.  
 2. Sigrist Design reserves the right to make changes to the product at any time without notice as part of our continuous improvement process. Information provided by Sigrist Design is believed to be accurate and reliable. However, no responsibility is assumed by Sigrist Design for its use, nor for any infringements of patents or other rights of third parties which may result from its use.  
 3. Product shown may not be the exact listed product. Used for visualisation purposes only.

## IM-AI-100-ECE-040

INLINE MIXED FLOW FAN - 100MM Dia. , EC MOTOR, SINGLE PHASE,  
40 W



### DIMENSIONS



### WIRING DIAGRAM

