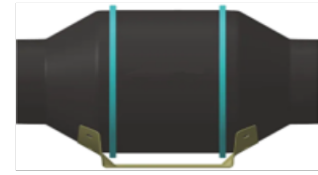


IM-AI-150-ECE-050

INLINE MIXED FLOW FAN - 150MM Dia. , EC MOTOR, SINGLE PHASE,
50 W



PERFORMANCE REQUEST

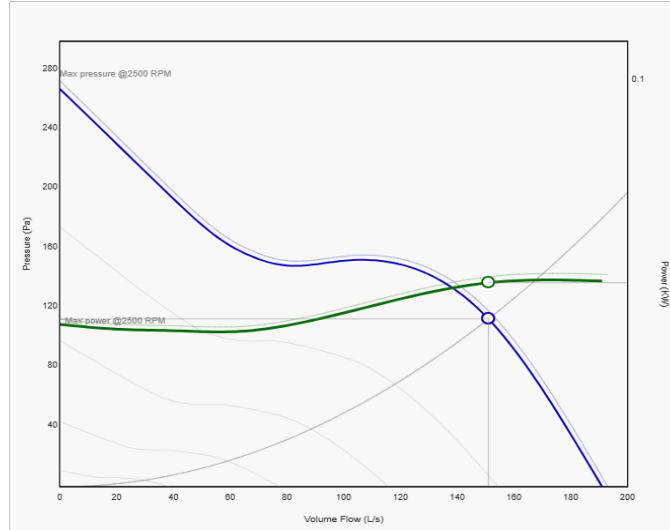
Parameter	Specified Value	Actual Value
Air Qty:	151 L/s	151 L/s
Static Pressure:	113 Pa	113 Pa
Air Density:	1.20412 kg/m ³	1.20412 kg/m ³
Install Type:	D	D
Atmos. Temp:	20 °C	20 °C
Altitude:	0 m	0 m
Humidity:	0 %	0 %

FAN DATA

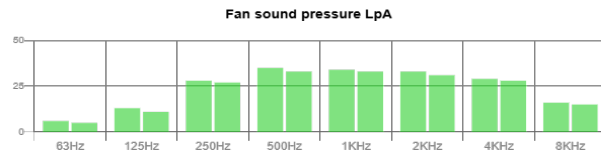
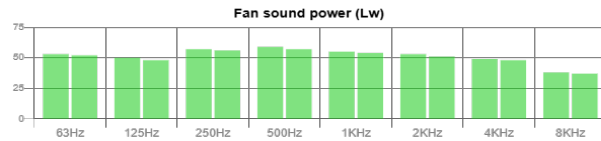
Parameter	Value
Product code:	IM-AI-150-ECE-050
Diameter:	150 mm
Impeller Type:	Mixed Flow
Blade Material:	PL
Speed:	2474/99 RPM/%
Power, Abs:	-
Input Power:	0.05 kW
Eff Total:	47 %
Fan Weight:	2.3 Kg
W / H / L:	225/209/315
Pitch:	-
Blades:	-
Form:	-
Peak:	0.05 kW
Static Eff:	33.9 %

MOTOR SPECIFICATIONS

Parameter	Value
Electrical supply:	240V 1 phase 50Hz
Power:	0.0522 kW
Full Load Current:	0.3 A
Poles:	-
Speed:	2474 RPM
Type / Usage:	Rotor / Standard
Frame:	-
FLC/Start:	0.3 / 0.1 A
Efficiency:	-



2019/2022 NCC/BCA Section J Compliant



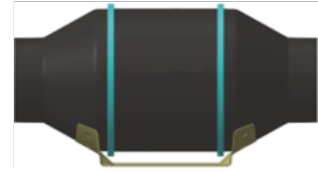
Fan Sound at Operating Conditions

Octave #	1	2	3	4	5	6	7	8	Total
Octave Band	63Hz	125Hz	250Hz	500Hz	1000Hz	2000Hz	4000Hz	8000Hz	
Power Lw - Inlet	53 dB	50 dB	57 dB	59 dB	55 dB	53 dB	49 dB	38 dB	63 dB
Power Lw - Outlet	52 dB	48 dB	56 dB	57 dB	54 dB	51 dB	48 dB	37 dB	62 dB
Pressure LpA - Inlet	6 dBA	13 dBA	28 dBA	35 dBA	34 dBA	33 dBA	29 dBA	16 dBA	40 dBA @3m
Pressure LpA - Outlet	5 dBA	11 dBA	27 dBA	33 dBA	33 dBA	31 dBA	28 dBA	15 dBA	38 dBA @3m

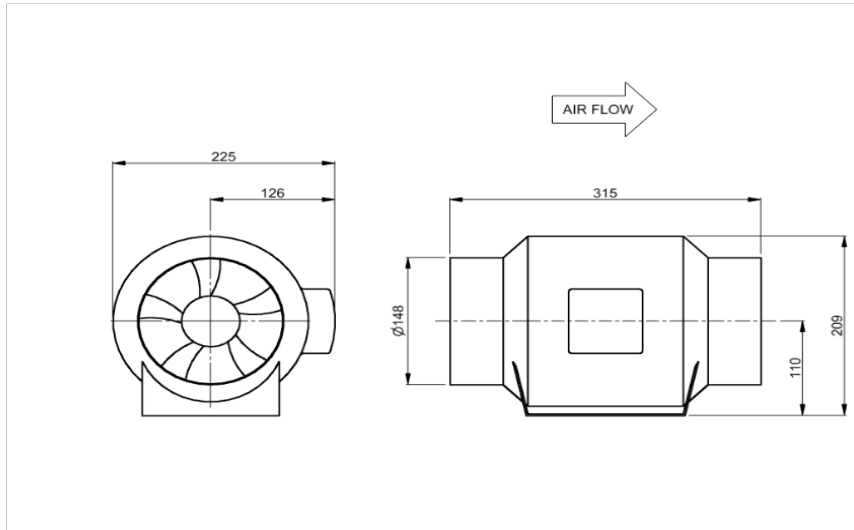
Sound levels are quoted as in-duct values at the point of optimal performance. Spectrum values are sound power levels Lw (dB). Overall sound pressure Lp is for an average spherical free-field for comparative use only.

IM-AI-150-ECE-050

INLINE MIXED FLOW FAN - 150MM Dia. , EC MOTOR, SINGLE PHASE,
50 W



DIMENSIONS



WIRING DIAGRAM

