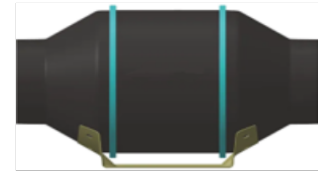




## IM-AI-150-ECE-070

### INLINE MIXED FLOW FAN - 150MM Dia. , EC MOTOR, SINGLE PHASE, 70 W



#### PERFORMANCE REQUEST

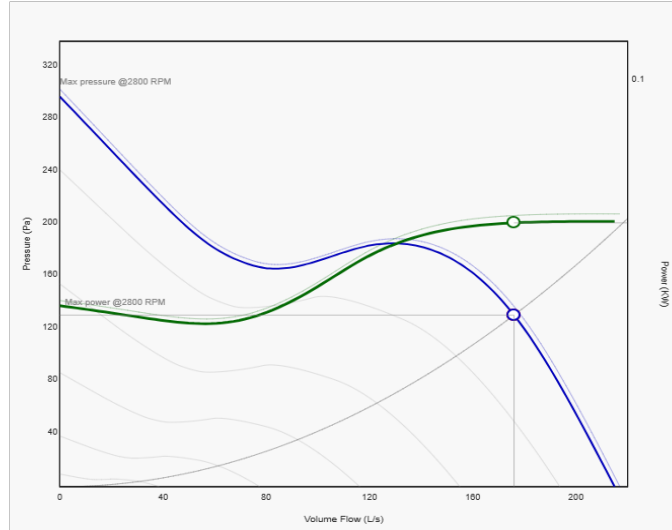
Parameter	Specified Value	Actual Value
Air Qty:	176 L/s	176 L/s
Static Pressure:	131 Pa	131 Pa
Air Density:	1.20412 kg/m <sup>3</sup>	1.20412 kg/m <sup>3</sup>
Install Type:	D	D
Atmos. Temp:	20 °C	20 °C
Altitude:	0 m	0 m
Humidity:	0 %	0 %

#### FAN DATA

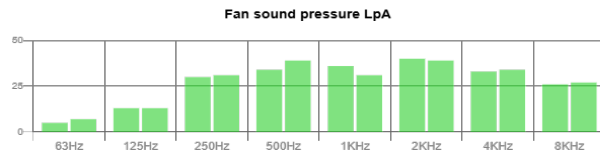
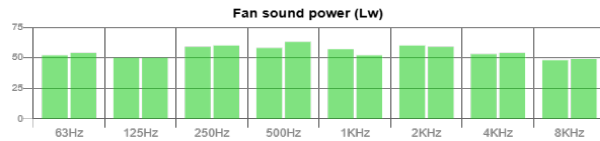
Parameter	Value
Product code:	IM-AI-150-ECE-070
Diameter:	150 mm
Impeller Type:	Mixed Flow
Blade Material:	PL
Speed:	2774/99 RPM/%
Power, Abs:	-
Input Power:	0.07 kW
Eff Total:	51.5 %
Fan Weight:	2.3 Kg
W / H / L:	225/209/315
Pitch:	-
Blades:	-
Form:	-
Peak:	0.07 kW
Static Eff:	35.4 %

#### MOTOR SPECIFICATIONS

Parameter	Value
Electrical supply:	240V 1 phase 50Hz
Power:	0.0671 kW
Full Load Current:	0.3 A
Poles:	-
Speed:	2774 RPM
Type / Usage:	Rotor / Standard
Frame:	-
FLC/Start:	0.3 / 0.1 A
Efficiency:	-



2019/2022 NCC/BCA Section J Compliant



Octave #	1	2	3	4	5	6	7	8	Total
Octave Band	63Hz	125Hz	250Hz	500Hz	1000Hz	2000Hz	4000Hz	8000Hz	
Power Lw - Inlet	52 dB	50 dB	59 dB	58 dB	57 dB	60 dB	53 dB	48 dB	65 dB
Power Lw - Outlet	54 dB	50 dB	60 dB	63 dB	52 dB	59 dB	54 dB	49 dB	66 dB
Pressure LpA - Inlet	5 dBA	13 dBA	30 dBA	34 dBA	36 dBA	40 dBA	33 dBA	26 dBA	43 dBA @3m
Pressure LpA - Outlet	7 dBA	13 dBA	31 dBA	39 dBA	31 dBA	39 dBA	34 dBA	27 dBA	44 dBA @3m

Sound levels are quoted as in-duct values at the point of optimal performance. Spectrum values are sound power levels Lw (dB). Overall sound pressure Lp is for an average spherical free-field for comparative use only.

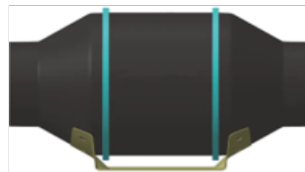
1 IM-AI-150-ECE-070

DISCLAIMER:

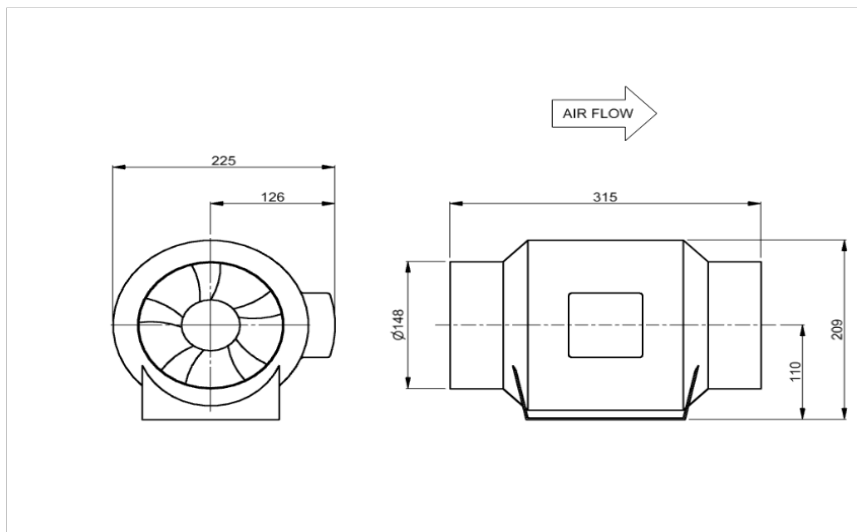
1. Data shown is manufacturer's data, or data derived from manufacturer's data, that has been adjusted, where necessary, to consider the fully assembly of the product.  
2. Sigrist Design reserves the right to make changes to the product at any time without notice as part of our continuous improvement process. Information provided by Sigrist Design is believed to be accurate and reliable. However, no responsibility is assumed by Sigrist Design for its use, nor for any infringements of patents or other rights of third parties which may result from its use.  
3. Product shown may not be the exact listed product. Used for visualisation purposes only.

## IM-AI-150-ECE-070

INLINE MIXED FLOW FAN - 150MM Dia. , EC MOTOR, SINGLE PHASE,  
70 W



### DIMENSIONS



### WIRING DIAGRAM

