



Emergency Lighting Test Switch

Function and Operation



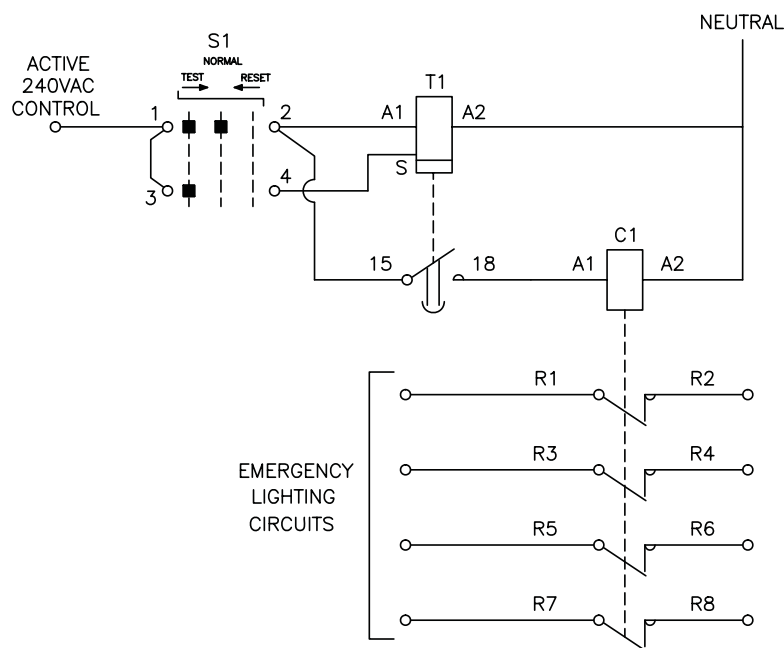
The ELTSK4 emergency lighting test switch allows manual testing of single point emergency lighting systems by simulating a supply circuit failure. This switch allows four (4) emergency lighting circuits to be wired through a normally closed contactor.

The test is initiated by momentarily selecting the TEST position on the key selector switch. This energizes the contactor and starts a delay off timer .

At the end of the test cycle, power is restored automatically, returning the emergency lighting circuits to normal operation. Momentary selection of RESET during the test cycle will also return the emergency lighting circuits to normal operation .



Schematic Diagram



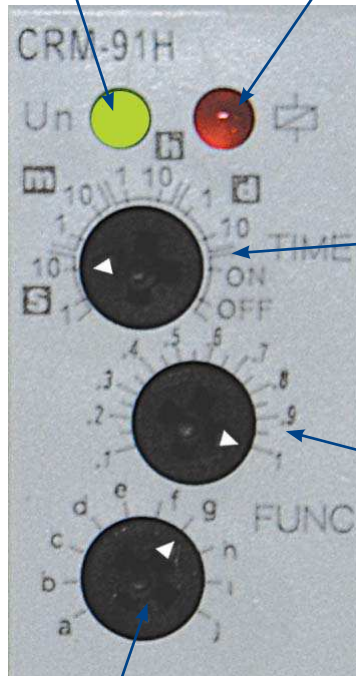
- S1 – 3 POSITION SPRING RETURN SELECTOR SWITCH
- T1 – SIGNAL START DELAY OFF TIMER
- C1 – 4 N/C CONTACTOR



CRM-91H Timer Operation and Setting

Green LED indicates healthy supply.

Blinking Red LED indicates Emergency Lighting under 'TEST'.



The first two dials must be used to set the test time.

First Dial - Coarse Setting

1. Set the time range in **Seconds (s)** or **Minutes (m)** or **Hours (h)** or **Days (d)**.
2. Select **1** or **10** in the selected range. i.e. 10 in the hours range means 10 hours. The second dial will be used to reduce this time.

Second Dial - Fine Setting

A setting of 0.1 on this dial will give you 10% of the value on the first dial. 0.2 will give you 20% and so on.

For example:

First Dial Setting: 10 on the seconds range (as shown) + **Second Dial Setting: 1** (as shown) will give a test time of 10 seconds.

FUNC dial must be on 'g' at all times.

Note:

The timer is supplied preset with a test time of 10 seconds. This must be changed to the actual test time (refer to AS2293.1-2005 for test times).

The Function Dial is preset to 'g' and must remain in this position for the correct operation of Test Switch.