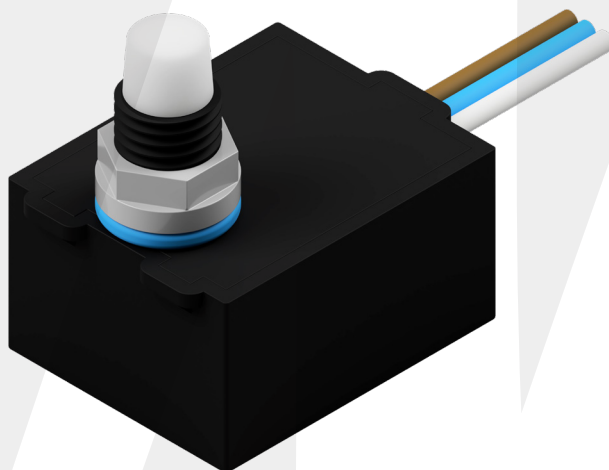


FEATURES & BENEFITS

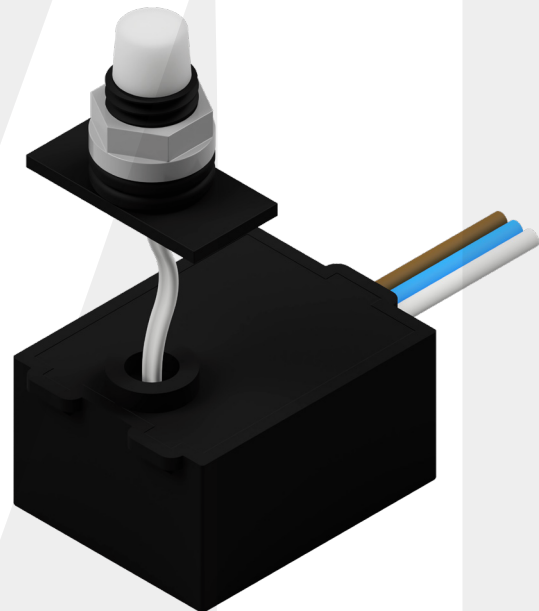
- Unique N/C 'fail on' circuitry
- Compact design - Ideal for tight applications
- Designed for recess mounting, eg - Inside light fittings
- 1 year warranty

SPECIFICATIONS

Weatherproof rating:	IP54
Switch rating:	10 Amps
Voltage rating:	200 - 250V
Frequency:	50Hz
Rated current:	Resistive - 10 Amps Inductive - 4 Amps
Switching cycles on resistive load:	> 200 000
Volt drop after 1000c at 1800VA load:	< 100mV
Light intensity for switch ON:	60 Lux
Light intensity for switch OFF:	90 Lux
Cut out hole:	9.5mm

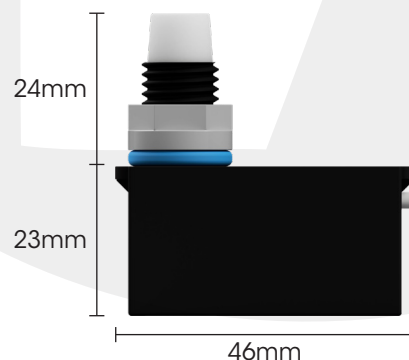


FSW-12207



FSW-12207-L

DIMENSIONS



DAY/NIGHT SWITCHES - LR50 RANGE

Code	Description	Packing	MOQ	Ctn
FSW-12207	Day/Night Switch - LR50 (10mm Male Entry)	1	1	10
FSW-12207-L	Day/Night Switch - LR50 with Sensor Extension	1	1	10