

## HNS050MD OWNER'S MANUAL



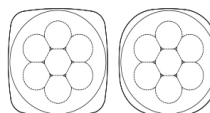
Scan our QR code with your phone to go directly to our website for technical information



**REQUIRES  
CABAC TIMER  
SWITCH**

### 1. FEATURES

- Switch the light ON touch free
- If the room is dark (<20 lux) and the HNS050MD is connected to a Cabac S-Click timer, movement will trigger it to turn the light ON for a programmed amount of time
- Ideal for spaces with natural light such as meeting rooms, hallways, offices, laundries and garages
- Detects motion up to 2m from the sensor
- Must be used with Cabac S-Click range of 2-Wire or 3-Wire Timer Switches
- Turns lights ON only in low light conditions - saving power
- Timer switch remains usable as normal
- Uses timer switch to control time
- Extremely low <100 mW standby power consumption
- Compatible with HPM and Clipsal wall plates – lenses included
- 3-Wire requires neutral



### 2. OPERATING CONDITIONS

- Operating Voltage: 220 – 240Va.c. 50Hz
- Operating Temperature: 0 to +50°C
- Certified Standards: CISPR15, AS/NZS 3100
- Maximum Load: As per connected Cabac Timer Switches

Note: Operation at temperature, voltage or load outside of the specifications may cause permanent damage to the unit.

### 3. COMPATIBLE SWITCHES

The HNS050MD must be used with one of the timer switches listed below. It cannot be used on its own.

- HNS410TM Minute Timer 2-Wire
- HNS420TM Hourly Timer 2-Wire
- HNS440TM Minute Timer 3-Wire
- HNS450TM Hourly Timer 3-Wire

### 4. OPERATION

The HNS050MD is a combination of passive infra-red motion and light level detector that detects motion up to 2m from the sensor. The HNS050MD is a sensor and if the room is dark (<20lux) will trigger the Cabac S-Click timer to turn the light ON at the first instance of movement for a fixed amount of time - offering both hands free switching and power savings. See Section 3 for compatible products.

When the HNS050MD detects motion in a darkened room or hallway it will trigger the connected timer switch. The room or hallway needs to be fairly dark before the sensor will trigger the timer and turn the light ON. The light can always be turned on directly at the timer switch. The length of time the light stays on is set on the timer switch.

When used with the HNS410TM or HNS420TM timers, the lights will flash briefly about 1 second after motion is detected, before turning on for the set timing period.

**Note: This manual was correct at the time of manufacture. For the latest version of the manual and any technical or safety updates refer to the website:- [cabac.com.au](http://cabac.com.au), [cabac.co.nz](http://cabac.co.nz) or scan the QR code with a mobile phone.**

## 5. INSTALLATION INSTRUCTIONS

The HNS050MD is to be installed as part of a fixed wire electrical installation. By law such installations must be made by an electrical contractor or similarly qualified person. Avoid excessive force on terminal block during installation.

### 5.1 WIRING

- Disconnect power at the circuit breaker before any electrical work.
- Insert Cabac S-Click Timer Switch into faceplate as per instructions in its manual.
- Insert HNS050MD into faceplate and fit the appropriate lens, as shown in Figure 1.
- Connect the HNS050MD and Cabac S-Click Timer Switch as per the wiring diagram in Figure 2 for 2-wire timer (HNS410TM/ HNS420TM) installation or Figure 3 for 3-wire timer (HNS440TM/ HNS450TM) installation.
- Fit faceplate with the HNS050MD and Cabac S-Click Timer onto wall.
- Reconnect power at the circuit breaker once installation is complete.
- After installation wait approximately 30 to 40 seconds for the HNS050MD to complete start-up sequence. LED will flash during this start-up sequence.
- Trigger the motion detector and ensure the detector and timer operate correctly. The HNS050MD will only detect motion if the room is dark.

**NOTE:** The HNS050MD is designed for indoor use. It is not rated for outdoor installation.

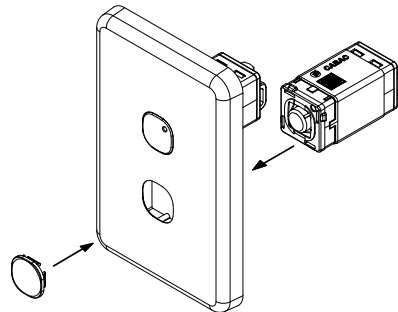


Figure 1: Installation of HNS050MD

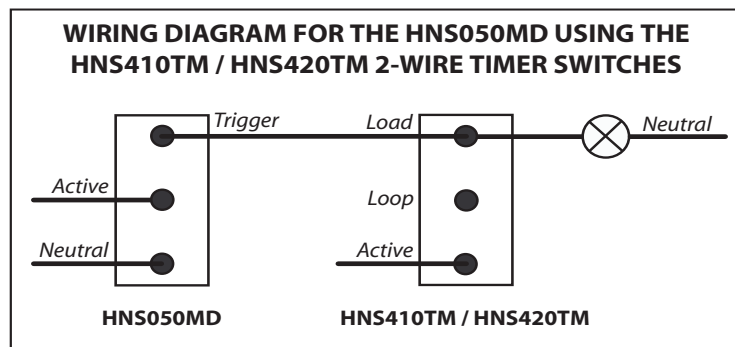


Figure 2

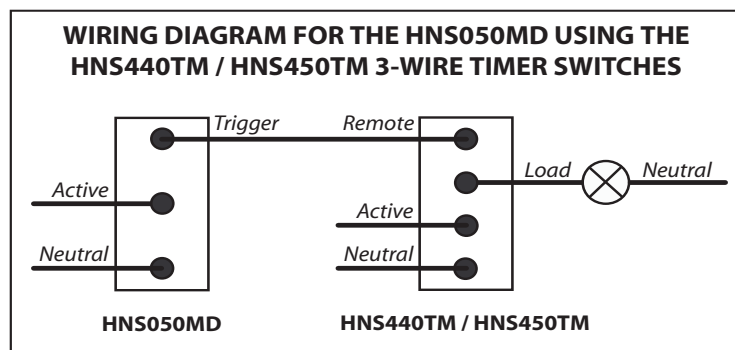


Figure 3

## 5.2 MULTIPLE HNS050MD WIRING

- Multiple HNS050MD can be used to start a single Cabac S-Click 2-Wire or Cabac S-Click 3-Wire Timer.
- Refer to Figure 4 and 5 for the different methods of connecting a timer with multiple HNS050MD.
- There is effectively no limit to the number of HNS050MD that can be connected to a single circuit provided the total trigger wire length does not exceed 50m.

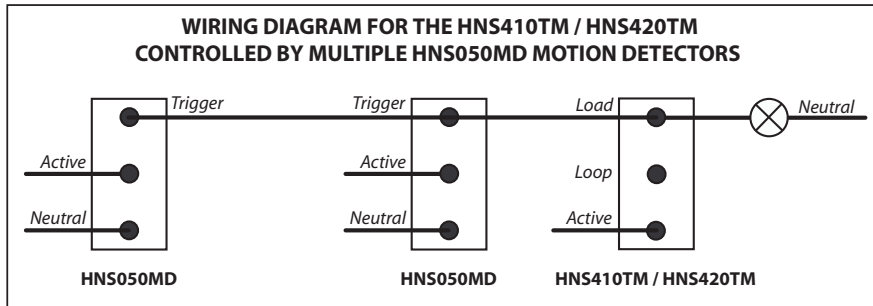


Figure 4

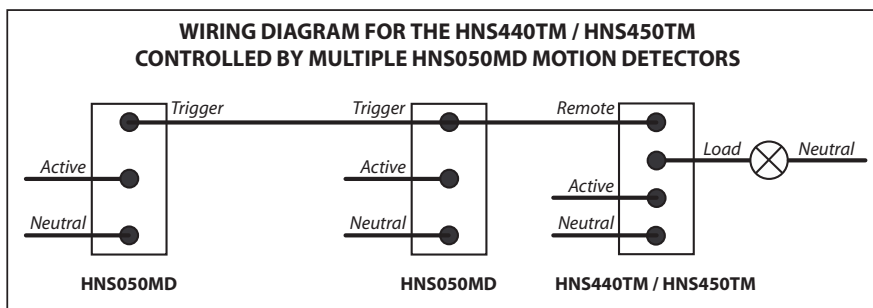
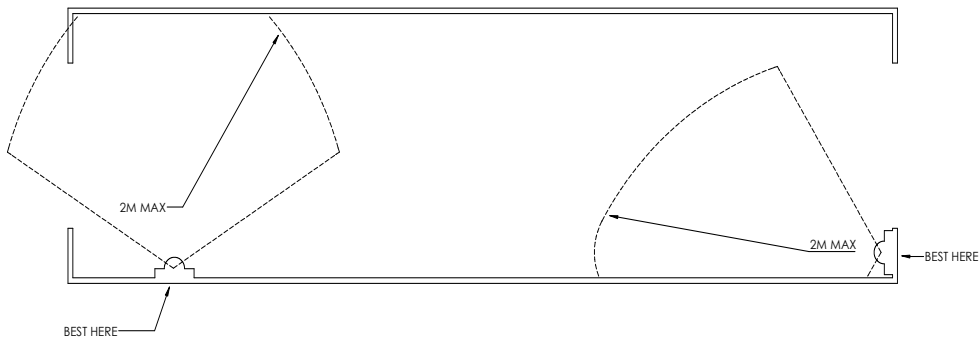


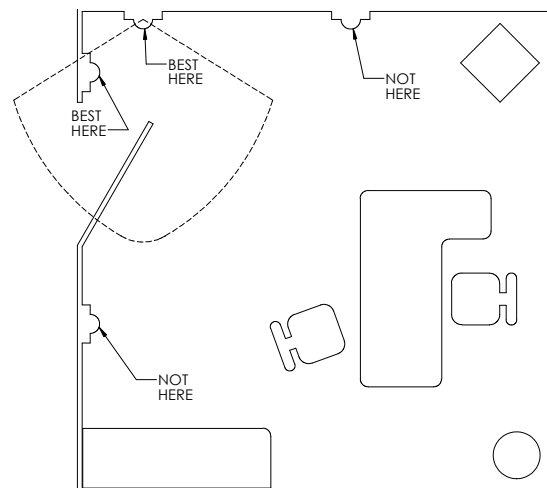
Figure 5

## 6. SUITABLE PLACEMENT FOR HNS050MD

### 6.1 SUGGESTED HALLYWAY LOCATIONS



### 6.2 SUGGESTED ROOM LOCATIONS



## 7. IMPORTANT SAFETY WARNINGS

### 7.1 LOAD REPLACEMENT

- It should be assumed that even when OFF, mains voltage will still be present at the lamp fitting. Mains power should be disconnected at the circuit breaker before replacing faulty lamps.

### 7.2 HNS050MD INSTALLATION

- The HNS050MD is to be installed as part of a fixed wire electrical installation. By law such installations must be made by an electrical contractor or similarly qualified person. Avoid excessive force during installation.

### 7.3 LOW READING DURING INSULATION BREAKDOWN TEST

- The HNS050MD is a solid state device. Therefore a low reading may be observed when conducting Insulation breakdown testing on the circuit.

### 7.4 CLEANING

- Clean only with a damp cloth. Do not use abrasives or chemicals.

## 8. TROUBLESHOOTING

### 8.1 LIGHTS DO NOT TURN ON

- Ensure that the circuit has power by checking the circuit breaker.
- Ensure the lamp(s) is not damaged or broken.
- The room may be too bright - the HNS050MD will not activate if the room is light. Check if HNS050MD indicator LED light switches on when motion is detected.
- Ensure the HNS050MD is correctly connected to the the Cabac S-Click Timer Switch.
- The HNS050MD may have been damaged and needs to be replaced.

### 8.2 TIMER HAS POWER BUT MOTION DETECTOR DOESN'T WORK

- The room may be too bright - the HNS050MD will not activate if the room is light.
- The HNS050MD might not be connected to the timer switch correctly.
- The HNS050MD is obstructed or being interfered with by dirt, furniture or an object.
- A shadow maybe cast over sensor by person or object.

### 8.3 LIGHTS TURN ON, THEN OFF

- The HNS050MD is retriggering. Check that the room light is not obstructed from the view of the HNS050MD.
- The light in the room may not be bright enough, which may happen if a person's shadow cast across the sensor and the room light is not bright enough.

## 9. WARRANTY AND DISCLAIMER

CABAC warrant the product against manufacturing and material defect from the date of invoice to the initial purchaser for a period of 12 months. During the warranty period CABAC will replace products that prove to be defective where the product has been correctly installed and maintained and operated within the specifications defined in the product data sheet and where the product is not subject to mechanical damage or chemical attack. The warranty is also conditional on the unit being installed by a licensed electrical contractor. No other warranty is expressed or implied.

CABAC shall not be liable for any direct, indirect, incidental or consequential damages.

**Note: This manual was correct at the time of manufacture. For the latest version of the manual and any technical or safety updates refer to the website:- [cabac.com.au](http://cabac.com.au), [cabac.co.nz](http://cabac.co.nz) or scan the QR code with a mobile phone.**