

HNS430SW OWNER'S MANUAL



Scan our QR code with your phone to go directly to our website for technical information



Buttons to suit both HPM and Clipsal style wall plates included.

2-WIRE NOT SUITABLE FOR FANS, MOTORS OR IRON CORE BALLASTS

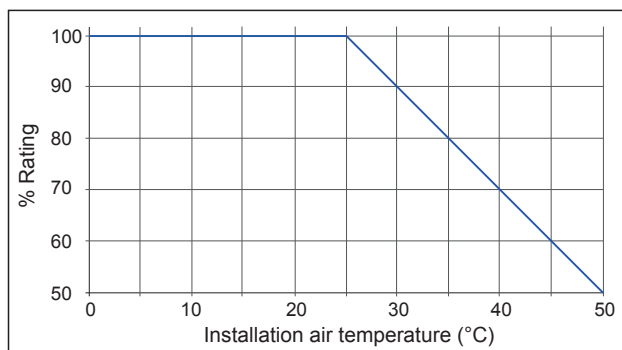


1. FEATURES

- Soft Touch Push button ON/OFF switch.
- Blue LED indicates device status.
- Returns to OFF after power failure.
- Compatible with HPM and Clipsal style wall plates.

2. OPERATING CONDITIONS

- Operating Voltage: 230 – 240V a.c. 50Hz
- Operating Temperature: 0 to +50°C (subject to ambient temperature de-rating curve)
- Compliance Standard: CISPR15, AS/NZS 3100
- Maximum Load: 400VA*
- Minimum Load: 10VA
- Maximum Current capacity: 1.7A



3. LOAD COMPATIBILITY

Incandescent	✓
240V Halogen	✓
Fluorescent Tube with electronic ballast	✓**
Fluorescent Tube with iron core ballast	x
Compact Fluorescent	✓**
Electronic Transformer	✓
LED	✓**
Wirewound Transformer	x
Fan Motors	x
Inductive Loads eg. Contactor/ Relay	x

Note: Operation at temperature, voltage or load outside of the above specifications may cause permanent damage to the unit. When used in ambient temperatures above 25°C the timer must be de-rated according to the chart.

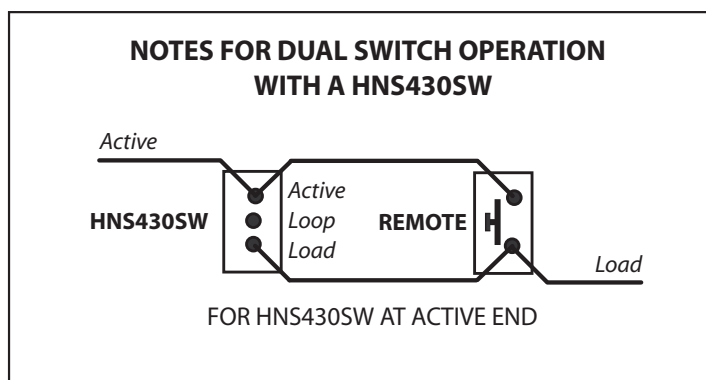
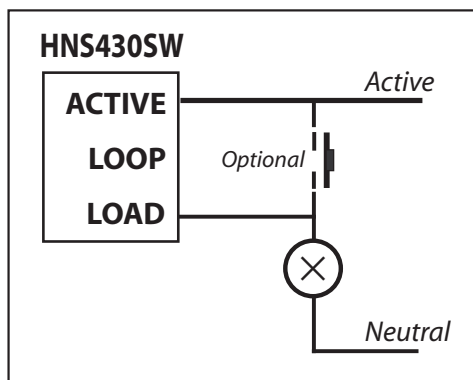
* Check manufacturer's recommendations when putting lamps in parallel.

** Subject to manufacturers recommendations, luminaires and lamps suitable for electronic switches only.

Note: Please go to CABAC's website to see a complete list of tested compatible lamps under "Technical Data"

Note: This manual was correct at the time of manufacture. For the latest version of the manual and any technical or safety updates refer to the website:- cabac.com.au, cabac.co.nz or scan the QR code with a mobile phone.

4. WIRING INSTRUCTIONS



4.1 REMOTE SWITCH

- The remote switch must be a normally open 240V momentary switch.
Eg. HPM EM870K or CLIPSAL 681M20P.
- Remote wire should not exceed 50m.
- When using the remote switch to turn the HNS430SW off - lights will flash once momentarily then switch off.
- Holding the remote switch longer than 0.5 seconds will turn the power OFF.

5. IMPORTANT SAFETY WARNINGS

5.1 Lamp Replacement

- The HNS430SW is a two wire solid state device. It should be assumed that even when OFF, mains voltage will still be present at the lamp fitting. Mains power should therefore be disconnected at the circuit breaker before replacing faulty lamps.

5.2 Installation

- The HNS430SW is to be installed as part of a fixed wire electrical installation. By law such installations must be made by an electrical contractor or similarly qualified person.

5.3 Low Reading During Megger Testing

- The HNS430SW is a solid state device. Therefore a low reading maybe be observed when conducting Megger testing on the circuit.

6. TROUBLESHOOTING

6.1 Lamp fails to turn ON when the button is pressed.

- Ensure that the lighting circuit has power by checking the circuit breaker.
- Check the lamp in another circuit to ensure it is working (The lamp may be incompatible with electronic switches).
- Check for a short circuit (call an electrician). The internal, non-serviceable protection fuse may have blown and if so, the HNS430SW will need to be replaced.

6.2 Lamp fails to turn OFF when the button is pressed

- Check that the button on the main unit is not being held down by dirt or grime behind the switch. If this fails to resolve the problem, cycle the power at the circuit breaker.
- If the LED is OFF and if applicable, check that the remote push button is not stuck ON.
- If not the HNS430SW may be damaged and should be replaced.

6.3 Lamp flickers when the button is pressed but fails to stay ON

- Lamp is not compatible with the HNS430SW.
Replace with a lamp that is suitable for electronic switches.

7. WARRANTY AND DISCLAIMER

CABAC warrant the product against manufacturing and material defect from the date of invoice to the initial purchaser for a period of 12 months. During the warranty period CABAC will replace products that proved to be defective where the product has been correctly installed and maintained and operated within the specifications defined in the product data sheet and where the product is not subjected to mechanical damage or chemical attack. The warranty is also conditional on the unit being installed by a licensed electrical contractor. No other warranty is expressed or implied.

CABAC shall not be liable for any direct, indirect, incidental or consequential damages.

Note: This manual was correct at the time of manufacture. For the latest version of the manual and any technical or safety updates refer to the website:- cabac.com.au, cabac.co.nz or scan the QR code with a mobile phone.