

HNS450TM OWNER'S MANUAL



Scan our QR code with your phone to go directly to our website for technical information



1. FEATURES

- Supports Timer and Boost modes of operation.
- Amber LED indicates device status.
- User programmable time-out period.
- Programmable in 1 hour increments from 1 to 24 hours.
- When ON - Quick Tap to switch power OFF.
- Time-out expiry warning given within the last 10 minutes of operation.
- Retains setting even after loss of power
- Compatible with a wide range of load types including wire wound transformers & fan motors.
- Compatible with HPM and Clipsal Style wall plates.
- Remote switch compatible.
- Time out set to 1 hour out of the box.

2. OPERATING CONDITIONS

- Operating Voltage: 230 – 240V a.c. 50Hz
- Operating Temperature: 0 to +50 °C
- Maximum Load: 1200W/500VA
- Maximum Current capacity: 5A

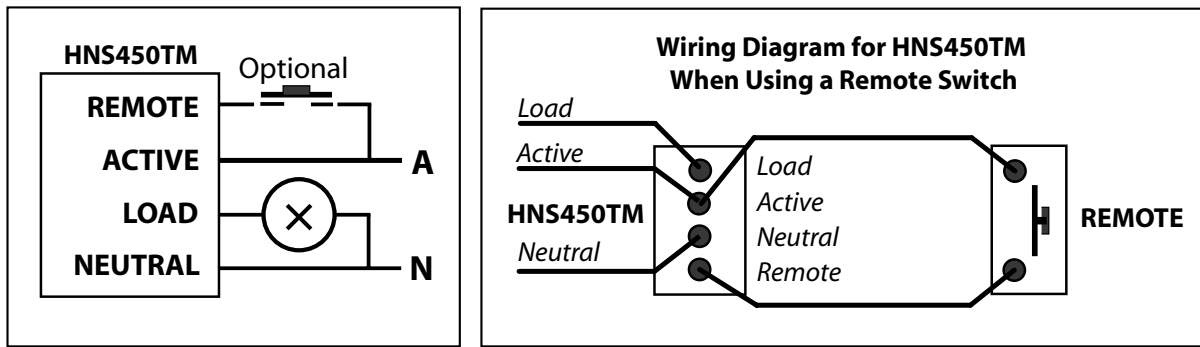
Note: Upon interruption and reapplication of the mains power supply, the power will automatically turn ON in Timer mode.

3. LOAD COMPATIBILITY

- | | |
|--|---|
| Incandescent | ✓ |
| 240V Halogen | ✓ |
| Fluorescent Tube with electronic ballast | ✓ |
| Fluorescent Tube with iron core ballast | ✓ |
| Compact Fluorescent | ✓ |
| Electronic Transformer | ✓ |
| LED | ✓ |
| Wirewound Transformer | ✓ |
| Fan Motors | ✓ |

Note: This manual was correct at the time of manufacture. For the latest version of the manual and any technical or safety updates refer to the website:- cabac.com.au, cabac.co.nz or scan the QR code with a mobile phone.

4. WIRING INSTRUCTIONS



4.1 REMOTE SWITCH

- The remote switch must be a normally open 240V momentary switch.
Eg. HPM EM870K or CLIPSAL 681M20P.
- Total length of remote wiring should not exceed 50 metres.
- Holding the remote switch for over 2 seconds will cause the timer to restart.
- The HNS450TM cannot enter BOOST mode using the remote switch.
- The HNS450TM cannot be programmed using the remote switch.

5. OPERATING INSTRUCTIONS

The HNS450TM employs a soft touch switch approach. When the power is OFF there are two modes of operation that can be entered.

5.1 TIMER

- A quick tap of the button will turn the power ON.
- The LED will flash indicating the number of hours the power will be ON before power is automatically turned OFF.
- The LED will blink every 5 seconds to indicate that timer mode is in operation.
- During the last 10 minutes of operation the LED will flash indicating imminent time out.
- Any time during operation, the button may be given another quick tap to cancel the timer and turn the power OFF.

5.2 BOOST MODE

- A long press of the button (local only) will turn the power ON for double the programmed time ("Boost Mode"), up to a maximum time of 24 hours.
- The LED will be ON while the button is held in and turn OFF after 2 seconds. After the LED has been extinguished release the button.
- The LED will flash indicating the total number of hours the power will be ON before being automatically turned OFF.
- The LED will blink twice every 5 seconds to indicate that boost mode is in operation.
- Any time during operation the button (local or remote) may be given a short press to turn the power OFF.

NOTE: When replacing a load or when the power is connected, the HNS450TM will be automatically turned ON in Timer mode. The power will turn OFF after the time-out period has expired or alternatively the time-out period may be cancelled with a quick tap of the button.

6. PROGRAMMING INSTRUCTIONS

- Programming mode may be entered at any time by pushing and holding the button down for 10 seconds. The LED will flash quickly to indicate that programming mode has been entered.
- To program, press the button between 1 and 24 times according to the desired delay in hours. For example, 10 presses will result in a delay of 10 hours. More than 24 presses will result in a delay time of 24 hours being stored.
- Programming mode expires 10 seconds after the last button press. At this time the new delay is stored in memory. If no button presses were detected the delay time will be unchanged.
- It is only possible to enter programming mode from the local button.

7. IMPORTANT SAFETY WARNINGS

7.1 Load Replacement

- It should be assumed that even when OFF, mains voltage will still be present at the load fitting. Mains power should therefore be disconnected at the circuit breaker before replacing faulty loads.

7.2 Installation

- The HNS450TM is to be installed as part of a fixed wire electrical installation. By law, such installations must be made by an electrical contractor or similarly qualified person. Avoid excessive force on remote input wire or terminal block during installation.

7.3 Cleaning

- Clean only with a damp cloth. Do not use abrasives or chemicals.

8. TROUBLESHOOTING

8.1 Power fails to turn ON when the button is pressed

- Ensure that the circuit has power by checking the circuit breaker.
- Ensure the load is not damaged or broken.

8.2 Power fails to turn OFF when the button is pressed

- If the LED is ON, check to see if it blinks or blinks twice every 5 seconds. If not the unit may be stuck in untimed ON mode. Cycle the power at the circuit breaker.
- If the LED is OFF and if applicable, check that the remote push button is not stuck ON. If not the HNS450TM may be damaged and should be replaced.

8.3 Power fails to time-out

- Check that the HNS450TM remote push button is not stuck ON.
- Count the number of flashes after the button is pressed to ensure its programmed to the correct time. 24 hours is the maximum possible time that can be programmed.

9. WARRANTY AND DISCLAIMER

CABAC warrant the product against manufacturing and material defect from the date of invoice to the initial purchaser for a period of 12 months. During the warrant period CABAC will replace products that proved to be defective where the product has been correctly installed and maintained and operated within the specifications defined in the product data sheet and where the product is not subjected to mechanical damage or chemical attack. The warranty is also conditional that the unit being installed by a licensed electrical contractor. No other warranty is expressed or implied.

CABAC shall not be liable for any direct, indirect, incidental of consequential damages.

Note: This manual was correct at the time of manufacture. For the latest version of the manual and any technical or safety updates refer to the website:- cabac.com.au, cabac.co.nz or scan the QR code with a mobile phone.