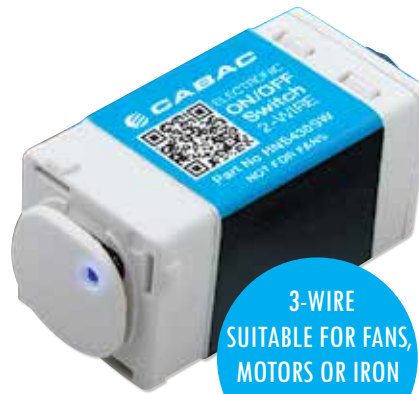


**HNS460SW  
OWNER'S MANUAL**



Scan our QR code with your phone to go directly to our website for technical information



**3-WIRE  
SUITABLE FOR FANS,  
MOTORS OR IRON  
CORE BALLASTS**

**1. FEATURES**

- Soft Touch Push button ON/OFF switch.
- Blue LED indicates device status.
- Returns to OFF after power loss.
- Compatible with a wide range of load types including wire wound transformers & fan motors.
- Compatible with HPM and Clipsal Style wall plates.
- Remote switch compatible.

**2. OPERATING CONDITIONS**

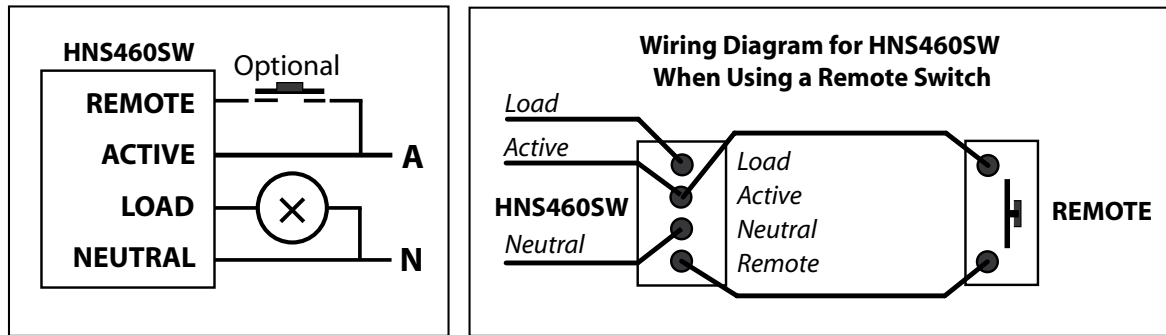
- Operating Voltage: 230 – 240V a.c. 50Hz
- Operating Temperature: 0 to +50 °C
- Maximum Load: 1200W/500VA
- Maximum Current capacity: 5A

**3. LOAD COMPATIBILITY**

- |  |   |
|--|---|
| Incandescent                             | ✓ |
| 240V Halogen                             | ✓ |
| Fluorescent Tube with electronic ballast | ✓ |
| Fluorescent Tube with iron core ballast  | ✓ |
| Compact Fluorescent                      | ✓ |
| Electronic Transformer                   | ✓ |
| LED                                      | ✓ |
| Wirewound Transformer                    | ✓ |
| Fan Motors                               | ✓ |
| Heating Elements                         | ✓ |

**Note: This manual was correct at the time of manufacture. For the latest version of the manual and any technical or safety updates refer to the website:- cabac.com.au, cabac.co.nz or scan the QR code with a mobile phone.**

## 4. WIRING INSTRUCTIONS



### 4.1 REMOTE SWITCH

- The remote switch must be a normally open 240V momentary switch. Eg. HPM EM870K or CLIPSAL 681M20P.
- Remote wire should not exceed 50m.
- Holding the remote switch longer than 2 seconds will turn the power OFF.

## 5. IMPORTANT SAFETY WARNINGS

### 5.1 Load Replacement

- It should be assumed that even when OFF, mains voltage will still be present at the load fitting. Mains power should therefore be disconnected at the circuit breaker before replacing faulty loads.

### 5.2 Installation

- The HNS460SW is to be installed as part of a fixed wire electrical installation. By law, such installations must be made by an electrical contractor or similarly qualified person. Avoid excessive force on remote input wire or terminal block during installation.

### 5.3 Cleaning

- Clean only with a damp cloth. Do not use abrasives or chemicals.

## 6. TROUBLESHOOTING

### 6.1 Load fails to turn ON when the button is pressed

- Ensure that the circuit has power by checking the circuit breaker.
- Ensure the load is not damaged or broken.

### 6.2 Load fails to turn OFF when the button is pressed

- If the LED is OFF and if applicable, check that the remote push button is not stuck ON. If not the HNS460SW may be damaged and should be replaced.

## 7. WARRANTY AND DISCLAIMER

CABAC warrant the product against manufacturing and material defect from the date of invoice to the initial purchaser for a period of 12 months. During the warrant period CABAC will replace products that proved to be defective where the product has been correctly installed and maintained and operated within the specifications defined in the product data sheet and where the product is not subjected to mechanical damage or chemical attack. The warranty is also conditional that the unit being installed by a licensed electrical contractor. No other warranty is expressed or implied.

CABAC shall not be liable for any direct, indirect, incidental or consequential damages.

**Note: This manual was correct at the time of manufacture. For the latest version of the manual and any technical or safety updates refer to the website:- [cabac.com.au](http://cabac.com.au), [cabac.co.nz](http://cabac.co.nz) or scan the QR code with a mobile phone.**