

## HNS710RT-KIT OWNER'S MANUAL



Scan our QR code with your phone to go directly to our website for technical information



### 1. FEATURES

- Delivers warm and dry towels at the time you need them
- Adapts to your routine with a single sustained 2 second button press
- Automatically turns the power on every day, then automatically turns off at pre-determined times
- Duration times can be pre-set from 1 to 6 hours (factory default 1 hour)
- Holiday mode - suspends routine timer operation to save power, resume routine times with quick tap
- Can be manually operated with a quick tap for turning power on or off
- Can have up to 16 programmed routine times per day
- Internal circuits retains routine times even after power loss - over 24 hours
- Internal clock accuracy within 5 seconds a month

### 2. OPERATING CONDITIONS

- Operating Voltage: 230Va.c. 50Hz
- Operating Temperature: 0 to +50°C
- Certified Standard: CISPR15, AS/NZS 60669.2.1
- Maximum Load: 300W (do not use with inductive loads ie fans, motors, pumps etc)
- Minimum Load: 5W
- Maximum Current capacity: 1.3A

Note: Operation at temperature, voltage or load outside of the specifications may cause permanent damage to the unit.

### 3. CONTENTS

- 1 x CABAC HNS710RT 2-Wire Routine Timer™
- 1 x CABAC Wall Plate
- 1 x Cable Clamp
- 1 x Cabac/ HPM style push button
- 1 x Clipsal style push button
- 1 x Insulation Breakdown Sticker
- 1 x HNS710RT Instruction Sticker
- HNS710RT-Kit Towel Rail Timer Instruction Manual

Note: This manual was correct at the time of manufacture. For the latest version of the manual and any technical or safety updates refer to the website:- [cabac.com.au](http://cabac.com.au), [cabac.co.nz](http://cabac.co.nz) or scan the QR code with a mobile phone.

## 4. INSTALLATION INSTRUCTIONS

The HNS710RT Towel Rail Timer is to be installed as part of a fixed wire electrical installation. By law such installations must be made by an electrical contractor or similarly qualified person.

### 4.1 WIRING

- Disconnect power at the circuit breaker before any electrical work.
- Note the holes on the supplied wall plate are different sizes and shape, refer to Fig 1 for positioning.
- Clip the HNS710RT to the wall plate and fit the cable clamp to the cable, as shown in Fig 2.
- Clip the button to the HNS710RT. Ensure that the button is oriented so that the LED light pipe is aligned with the hole in the button. Pull the cable with the attached cable clamp through the wall plate, as per Fig 3.

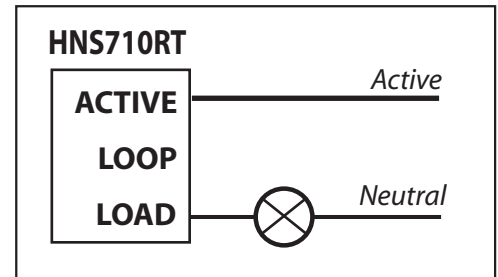


Fig 5: Wiring Diagram

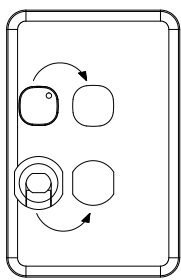


Fig 1: Identify holes location

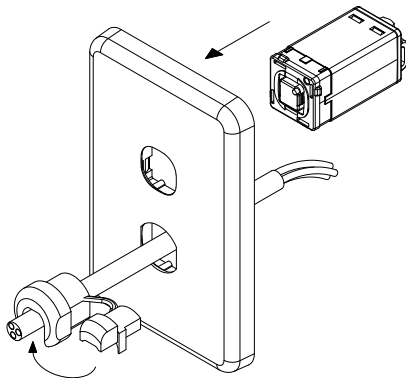


Fig 2: Fit the HNS710RT to the wall plate & fit the cable clamp to the cable

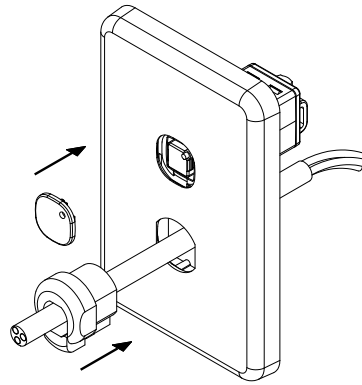


Fig 3: Attach the button to the HNS710RT & pull the cable with the cable clamp through the wall plate

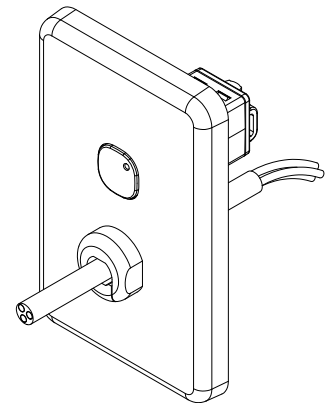


Fig 4: Final assembly

- Wire the HNS710RT as per the wiring diagram in Fig 5. Affix Instruction Sticker behind wall plate.
- Reconnect power at the circuit breaker and affix Solid State Device Warning Sticker at switchboard.

**NOTE:** The HNS710RT is designed for indoor use. It is not rated for outdoor installation. If the unit is loose in the plate, the wall plate should be replaced.

## 5. OPERATING INSTRUCTIONS

### 5.1 LED INDICATOR

The HNS710RT Routine Timer™ provides a simple and useful way to set routine times without the complexity of setting clocks using digital displays which can be complicated, sometimes unreliable in hot and humid environments like a bathroom and require reprogramming after power failures.

LED INDICATOR	HNS710RT MODE	DESCRIPTION
Solid OFF	OFF	No routine time have been set or power has been disconnected
5 seconds OFF - one quick ON Flash	STANDBY	Routine time has been set waiting for a routine time start
5 seconds OFF - two quick ON Flash	HOLIDAY	Routine Timer in Holiday mode - All programmed routines are suspended and retained; quick tap exits Holiday mode and resumes Standby mode.
Fast ON and OFF	PROGRAM	Set timer duration
5 seconds ON - one quick OFF wink	MANUAL	Manual timer is operating, power is ON
5 seconds ON - two quick OFF wink	RUNNING	Routine time is operating, power is ON

## 5.2 SETTING THE TIMER DURATION

The timer duration is set to run for 1 hour out of the box, to change the timer duration follow the procedure below:

- Hold the button down for 10 seconds - LED indicator will flash ON & OFF quickly - release button.
- Press the button once for each hour you would like the timer to dry towels for ie 2 button presses for 2 hours.
- Wait for 10 seconds.
- LED Indicator will flash the number of hours that the timer duration is set to run.
- Timer duration is now programmed.

**NOTE:** Changing the timer duration does not change any routine finish times, start times are however recalculated.

## 5.3 MANUAL OPERATION

- A quick tap of the button turns the power ON and starts the timer.
- LED indicator will flash the number of hours that the manual timer will run.
- Power automatically turns OFF when the timer expires.
- Quick tap turns power OFF at any time.

## 5.4 SETTING A ROUTINE TIME

The innovative feature of the HNS710RT Routine Timer™ is that the routine time is set at the time that you want the routine timer to turn OFF. The routine timer automatically uses the timer duration to calculate when the timer switches ON.

- Press and hold the button for 2 seconds until the LED indicator goes OFF and release the button.
- LED Indicator will flash duration time setting in hours.

The routine time is now set to finish at the current time every 24 hours from the following day onwards.

In the case of a heated towel rail, if the duration of the timer is set to 3 hours and the user normally takes a shower at 6:00am; if the user presses the button and holds it for 2 seconds, then the routine timer would begin drying the towel at 3.00am and be completed at 6.00am. This routine time would run every 24 hours until cleared or reset.

## 5.5 CLEARING A ROUTINE TIME

A single routine time can only be cleared when the routine time is running.

- When the routine timer is running, with the power ON, press and hold the button for 2 seconds.
- When the LED indicator goes OFF, release the button. The routine time is now cleared.

Any other routine times are not affected and will continue to operate normally.

**NOTE:** If the user stops the automatic operation with a quick tap, and if they then press and hold the button it will clear the automatic timer that still exists at this time.

## 5.6 HOLIDAY MODE

When going on holiday it may be desirable to suspend all the operations of the routine timer. Routine times will be retained so they can be restarted upon return.

- Press and hold the button down for 10 seconds.
- LED indicator will quickly flash ON and OFF, release the button.
- Press and hold the button for a further 2 seconds, wait for the LED indicator to go OFF and release the button.
- The LED indicator will turn OFF but will flash twice every 5 seconds, indicating HOLIDAY mode.

On return from holiday a quick tap will resume all routine timings.

## 5.7 FACTORY RESET

Factory reset sets the Routine Timer back to the setting with which it was shipped from the factory : timer duration set to 1 hour and clears all routine timers.

- Hold the button down for 10 seconds, LED indicator will flash ON and OFF quickly, release the button.
- Hold button down for further 10 seconds, LED indicator will flash ON and OFF quickly and release the button.

Once the LED indicator switches OFF the timer is now reset to factory settings.

## 6. IMPORTANT SAFETY WARNINGS

### 6.1 HNS710RT INSTALLATION

- The HNS710RT is to be installed as part of a fixed wire electrical installation. By law such installations must be made by an electrical contractor or similarly qualified person. Avoid excessive force during installation.

### 6.2 LOW READING DURING INSULATION BREAKDOWN TEST

- The HNS710RT is a solid state device. Therefore a low reading may be observed when conducting insulation breakdown testing on the circuit.

### 6.3 CLEANING

- Clean only with a damp cloth. Do not use abrasives or chemicals.

## 7. TROUBLESHOOTING

### 7.1 TOWEL RAIL DOES NOT HEAT UP (TOWEL IS STILL WET)

- Ensure routine time have been set 24 hours prior to use.
- Ensure duration time is sufficiently long for the towels to dry. Refer to Section 5.2.
- Ensure that the unit has been powered for at least 12 hours without interruption to allow clock to be retained through power outage.
- Check that the towel rail have been connected to the timer correctly.

### 7.2 DOES NOT RETAIN ROUTINE TIMES

- If there is a power outage in the first 12 hours of operation, the routine time may be lost.
- Power may have been lost for longer than 24 hours.

### 7.3 AFTER SETTING THE ROUTINE TIME, POWER DOES NOT SWITCH ON

- The routine time is programmed to finish at this time the next day and every subsequent day.

### 7.4 TOWEL NOT WARM AT THE RIGHT TIME

- The Routine Timer™ does not compensate for day light savings. Reset routine timer as per Section 5.

### 7.5 POWER TURNING ON AT STRANGE TIME

- Reset the Routine Timer™ to factory settings. Refer to Section 5.7. Set the required duration time again as per Section 5.2.

## 8. WARRANTY AND DISCLAIMER

CABAC warrant the product against manufacturing and material defect from the date of invoice to the initial purchaser for a period of 12 months. During the warranty period CABAC will replace products that prove to be defective where the product has been correctly installed and maintained and operated within the specifications defined in the product data sheet and where the product is not subject to mechanical damage or chemical attack. The warranty is also conditional on the unit being installed by a licensed electrical contractor. No other warranty is expressed or implied.

CABAC shall not be liable for any direct, indirect, incidental or consequential damages.

**Note:** This manual was correct at the time of manufacture. For the latest version of the manual and any technical or safety updates refer to the website:- [cabac.com.au](http://cabac.com.au), [cabac.co.nz](http://cabac.co.nz) or scan the QR code with a mobile phone.