

LEDsmart™ Adaptive Phase Dimmer



www.dignet.net.au



Range MEDM

Overview

Designed in Australia to provide optimised dimming of LED based lamps and drivers, this high quality, two-wire phase control wall plate dimmer has a minimum load rating of 2W, allowing it to adapt to a wide range of available LED drivers.

Although optimised for LED lighting loads, this dimmer also provides excellent compatibility with other common lamps types such as incandescent lamps, 12V halogen (dichroic) lamps/ transformers and CFL's.

Features

Fits Australian wall switch
plate apertures (For example, the Sylvania Trader Cougar range, plus HPM and Clipsal ranges)

Rotary control with mechanical
adjustment for minimum brightness level

Separately switched 2-wire
design – no neutral wire connection required for wall-plate retrofit installation

An integrated LED indicator
illuminates the dimmer knob and switch at low dimming levels

Minimum brightness
typically 0%

Incorporates a thermal fuse to
protect itself against overheating

Incorporates filtering to reduce
load brightness variation under conditions of line voltage ripple signal injection

Thermal wind-back for overload
and over-temperature protection

“Soft-start” to help prolong the
lamp and driver life

Protected against damage from
connection to incompatible inductive load types (i.e., motor loads), via conduction angle wind-back







Stable operation with most
non-dimmable lamps (to a limited dimming level, lamp dependent)

Inherent immunity to
installation wiring short circuit fault

Complies with all relevant
Australian safety standards



Specifications

Compatible Load Types			
Load Symbol	Load Type	Maximum Load	Notes
	Dimmable LED Drivers	400W	The LED driver must be dimmable. Please consult LED manufacturers specifications Maximum permitted number of drivers is 400W divided by driver nameplate power rating. Due to variety of LED lamp designs, maximum number of LED lamps is further dependent on power-factor result when connected to dimmer.
	Electronic Transformers	400W	
	Iron-Core Transformers (Standard)	250W	Due to variety of transformer designs, maximum LV lighting load is further dependent on transformer efficiency.
	Iron-Core Transformers (Toroidal)	300W	
	Incandescent / 240V halogen	350W	
	Dimmable CFLs	400W	Due to variety of CFL designs, maximum number of CFL lamps is dependent on particular CFL make/model.

Multi-gang de-rating	De-rating Examples
In applications where multiple dimmers are installed in a multi-gang plate, a de-rating factor is applied to the maximum load as follows	Example 1 – Two dimmers (and associated switches) installed in a wall plate. The maximum LED load which can be connected to each dimmer = $400W \times 0.85 = 340W$ per dimmer
	Example 2 – Three dimmers (and associated switches) installed in a wall plate The maximum LED load which can be connected to each dimmer = $350W \times 0.70 = 245W$ per dimmer
Number of dimmers per plate	De-rating factor
1 (plus a separate switch)	No de-rating
2 (plus 2 separate switches)	0.85
3 (plus 3 separate switches)	0.70

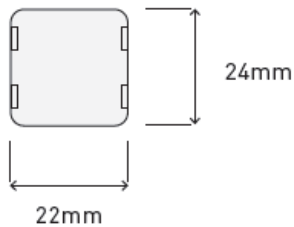
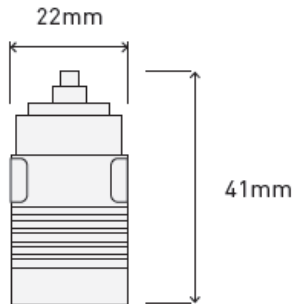
Incompatible Load types
Ceiling Sweep Fan motors

Nominal Line Voltage Amplitude Range	
Line Voltage Frequency	50Hz Nominal (47-53Hz)
Load Brightness Control Range	<1% to > 95% (load dependent)
Rated Load	Refer Compatible Loads
Minimum Load	2W



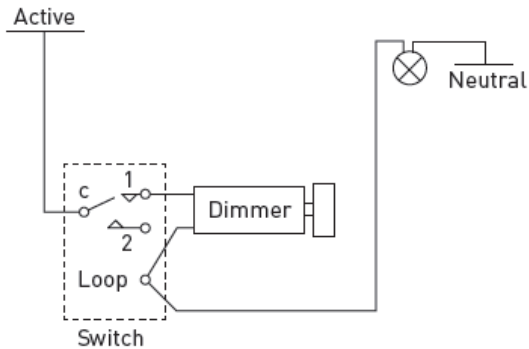
Dimensions

LEDsmart Dimmer

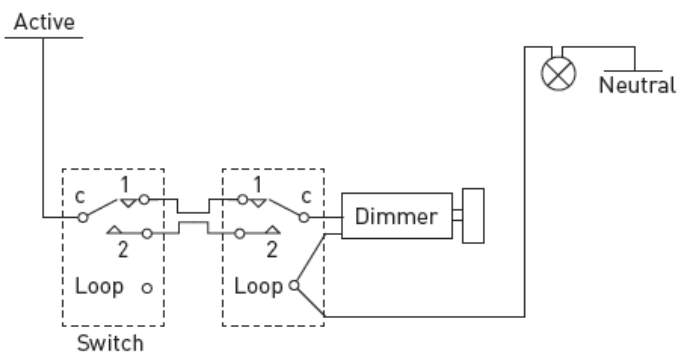


Typical Electrical Connections

One-Way Connection Diagram



Two-Way Connection Diagram



Approvals & Compliance

IP20

CONTACT INFORMATION

Web: www.diginet.net.au
 General Enquiries: 1300 95 DALI (3254) sales@diginet.net.au
 Technical Services: 1300 95 3244 support@diginet.net.au
 Fax: 1300 95 3257

PRODUCT OF GERARD LIGHTING PTY LTD

ABN – 89 095 788 864
 96-112 Gow Street
 Padstow NSW 2211

DIGINET IS A BRAND OF GERARD LIGHTING

The product includes a **TWO-YEAR WARRANTY** against manufacturing defects. Fully warranty terms can be found here www.diginet.net.au
COPYRIGHT. ©This document is copyright to Gerard Lighting Pty Ltd. Except as permitted under relevant law, no part of this user and installation guide may be reproduced by any process without written permission of and acknowledgement to Gerard Lighting. **DISCLAIMER.** Gerard Lighting Pty Ltd reserves the right to alter the specifications, designs or other features of any items and to discontinue any items at any time without notice and without liability. While every effort is made to ensure that all information in this user and installation guide is correct, no warranty of accuracy is given and Gerard Lighting shall not be liable for any error. **TRADEMARKS.** The identified trademarks and copyrights are the property of Gerard Lighting Pty Ltd unless otherwise noted.