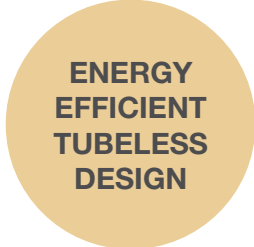




Replacement
Warranty*

1200MM & 600MM TRICOLOUR LED SURFACE MOUNTED BATTEN LIGHT



This slimline Tricolour LED batten features an energy efficient tubeless design as well as a polycarbonate diffuser. Making this batten ideal for use throughout homes and garages.



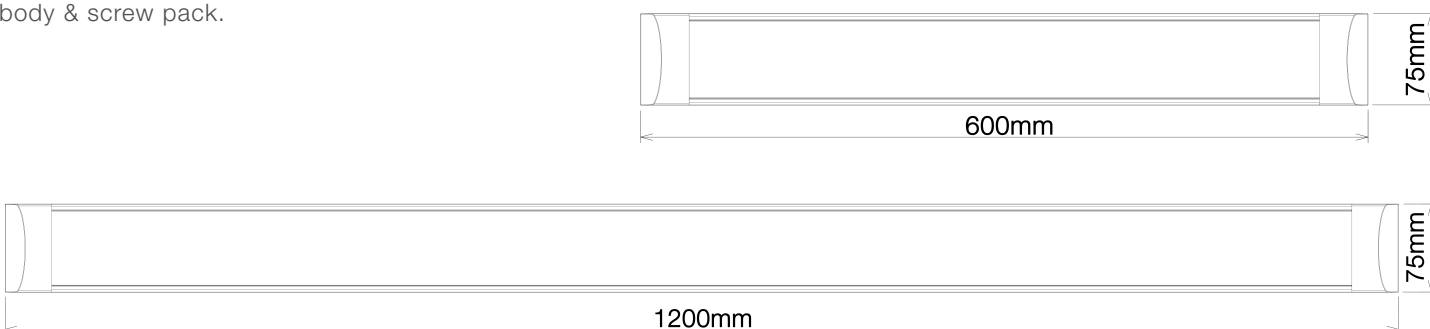
| | | |
|-------------------------|--|-------------------------------|
| <p>Tricolour LED</p> | <p>36W 3400 LUMENS</p> <p>Brightness</p> | <p>IP 20</p> <p>IP Rating</p> |
| <p>Energy Efficient</p> | <p>Non Dimmable</p> | <p>120°</p> <p>Beam Angle</p> |

- Super slim 30mm profile
- Lightweight powder coated finish
- Low profile design
- Opal polycarbonate diffuser
- Direct mounting (no brackets required)
- 20W & 36W Tricolour LED light

INCLUDES

Main body & screw pack.

DIMENSIONS



TRICOLOUR LED SURFACE MOUNTED BATTEN LIGHT

FEATURES

- Lightweight powder coated finish
- Low profile design
- Opal polycarbonate diffuser
- Provides excellent light distribution using Tricolour SMD LED technology
- Select either 3000k, 4000k, or 5000k light colour temperature setting
- Direct mounting (no brackets required)
- Extruded aluminium body with plastic end cap
- Built in non-isolated driver
- Rear cable channel allows easy wiring
- Centre terminal block for ease of wiring

SPECIFICATIONS

| | |
|------------------------------------|-----------------------------|
| Model name | Blade |
| Model number | MLBF60345W MLBF12345W |
| Power (wattage) | 20W 36W |
| Voltage | 220v – 240v |
| Frequency | 50Hz-60Hz |
| Switchable Tricolour Lumens | 3400lm max |
| Colour temperature | 3000k / 4000k / 5000k |
| LED light beam angle | 120° |
| Material | Opal polycarbonate diffuser |
| LED Type | SMD LED |
| CRI | ≥80 |
| Approximate lamp life | 30,000hrs |
| Weather resistance rating | IP20 |

*For further information regarding warranty terms and conditions, please refer to enclosed warranty statement. Warranty is void unless installed by a licensed electrician.



INSTALLATION

| | |
|---------------------|------------------------------|
| Installation | By licensed electrician only |
| Warranty | 2 year replacement warranty* |

*Please refer to warranty conditions.

SHIPPING

| | |
|-----------------------|-------------------------|
| Packaging size | L1205mm x H83mm x D31mm |
| Gross weight | 1kg |
| Carton qty | 10 |

AVAILABLE IN WHITE



White

| Model | Colour | Barcode |
|------------|--------|---------------|
| MLBF60345W | White | 931237550400/ |



White

| Model | Colour | Barcode |
|------------|--------|---------------|
| MLBF12345W | White | 9312375504184 |