



Replacement  
Warranty\*

## TRICOLOUR LED WALL BUNKER LIGHT WITH PIR SENSOR

The Sonar Tricolour LED wall bunker light with PIR motion sensor is a durable outdoor light with a modern appearance. This bunker light features the latest inbuilt PIR sensor control technology and is constructed from tough polypropylene with a durable UV resistant polycarbonate opal diffuser encasing the Tricolour LED light.



TRICOLOUR  
SWITCHABLE  
LED



Tricolour  
LED



Energy  
Efficient



Watt/  
Lumens



IP  
Rating



Beam  
Angle



LED  
Lamp Life



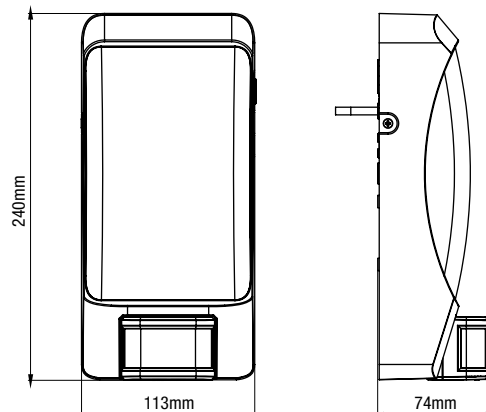
PIR Motion  
Sensor

- Modern matt black design
- Made from tough UV resistant durable polycarbonate & polypropylene material
- 12W Tricolour LED light
- Up to 12m detection distance
- 180° sensor detection angle
- Adjustable light duration time
- Day to night adjustable
- Suitable for any residential or commercial application

### INCLUDES

Hardware pack including 2 x wall plugs  
& 2 x screws

### DIMENSIONS



## TRICOLOUR LED WALL BUNKER LIGHT WITH PIR SENSOR

### FEATURES

- Modern design
- Made from tough UV resistant durable polycarbonate & polypropylene material
- 12W / 800lm Tricolour LED light
- PIR built in sensor control with adjustable detection sensitivity
- Adjustable time delay
- Up to 12m detection distance
- Energy saving integrated Tricolour SMD LED's
- IP44 weather resistant
- Polycarbonate opal diffuser
- Large terminal block for easy installation



### SPECIFICATIONS

<b>Model name</b>	Sonar
<b>Model number</b>	MLXS34510MS
<b>Power (wattage)</b>	12W
<b>Voltage</b>	220v-240v
<b>Frequency</b>	50Hz
<b>Switchable Tricolour lumens</b>	3000k-700lm 4000k-800lm 5000k-800lm
<b>Colour temperature</b>	3000k / 4000k / 5000k
<b>LED light beam angle</b>	120°
<b>Product size (mm)</b>	L240 x H113 x D74
<b>Material</b>	Polycarbonate & polypropylene
<b>LED Type</b>	80 x 0.15W
<b>CRI</b>	≥80
<b>Approximate lamp life</b>	25000hrs
<b>Weather resistance rating</b>	IP44
<b>Sensor type</b>	PIR passive infrared sensor
<b>Sensor detection angle</b>	180°
<b>Duration time</b>	10±5s to 4±1min, adjustable
<b>Detection distance max</b>	12m
<b>Lux control level</b>	From day to night adjustable with non-isolated driver

### INSTALLATION

<b>Installation</b>	By licensed electrician only
<b>Warranty</b>	2 year replacement warranty*

\* For further information regarding warranty terms and conditions, please refer to enclosed warranty statement. Warranty is void unless installed by a licensed electrician.

### SHIPPING

<b>Packaging size</b>	L118mm x H77mm x D245mm
<b>Gross weight</b>	8kg
<b>Carton qty</b>	6

### AVAILABLE IN MATT BLACK



Matt Black

Model	Colour	Barcode
MLXS34510MS	Matt Black	9312375506164