



Dual USB Fully Integrated Power Points

The USB with Grunt

AVAILABLE IN
BLACK & BRUSHED
ALUMINIUM
PLEASE CHECK FOR
AVAILABILITY

- Order Code
- PUPP2USB2G
 - PUPP2USB2GBK
 - PUPP2USB2GAC
 - PUPP2USB2GACBK
 - PUPP2USB2GCBA
 - PUUSB2G
 - PUUSB4G



100 Years of Gerard Electrical Tradition



FULL
COVER
PLATE



PUUSB2G



PUPP2USB2GAC



PUPP2USB2GCBA (on white)



PUUSB4G



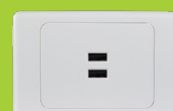
PUPP2USB2GBK



PUPP2USB2GCBA (on black)



ALSO CHECK OUT
COUGAR
USB RANGE



The Puma USB Integrated range is ready for use by Australian Electrical Contractors.

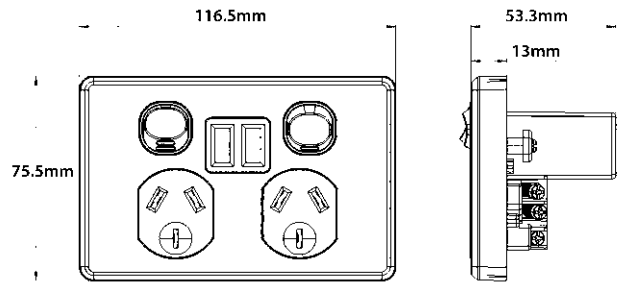
USB Charging in everyday Australian life is now not a luxury but an expectation and the Puma USB Integrated range is an excellent "all-in-one" solution for charging phones, tablets, cameras, fit bands, smart watches and various other USB compatible devices. USB's need to be located in all spots where we work and play – kitchens, bedrooms, lounge-rooms, offices, hotels and clubs, public places, retail stores – the list goes on. Anywhere you can think of where people need to get charged in their time of need.

The PUPP2USB2G, PUPP2USB2GAC, PUUSB2G and PUUSB4G are the perfect solution for your next residential, commercial or community installation, or replacement upsell in an existing dwelling.

PUPP2USB2G / PUPP2USB2GBK

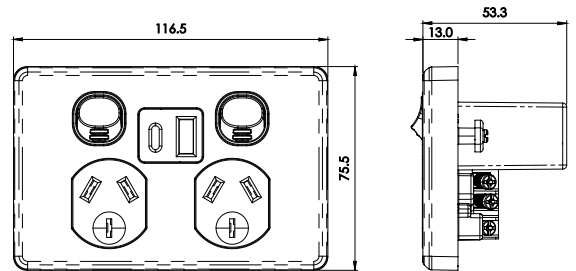
Dual switched integrated 250V a.c. power point outlet rated at 10A with twin USB sockets for power supply that is ideal for living areas, kitchens, bedrooms, hotels, libraries and waiting areas.

- The rating for the USB is 3.4A at 5V when one device is inserted, then it divides to 1.7A at 5V when a device is inserted in each USB socket.
- USB power supply contains temperature cut out and overload protection.
- Standard colour is white. *Black and Brushed Aluminium also stocked - please check availability.*



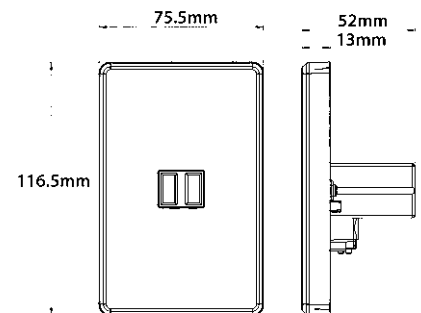
PUPP2USB2GAC / PUPP2USB2GACBK

- Suitable for USB Type C applications up to 3 Amp at 5V.
- Ideal for phones that utilise USB Type C connections.
- Not suitable for lap tops or other devices requiring greater output than 3 Amp at 5V.
- USB outlet approved to AS/NZS 60950.1
- Electrical power point approved to AS/NZS 3112
- The overall electronic assembly rating is 3.4A at 5V; it then divides the output when devices are inserted in each USB socket.
- Fits standard wall boxes and mounting accessories
- Standard colour is white. *Black and Brushed Aluminium also stocked - please check availability.*



PUUSB2G

- The rating for the USB is 3.4A at 5V when one device is inserted, then it divides to 1.7A at 5V when a device is inserted in each USB socket.
- USB socket power supply contains temperature cut out and overload protection.



PUUSB4G

- This product contains two groups of USB power supplies rated at 3.1A, 5V when one device is inserted. Then it divides when a device is inserted in each USB socket - This is capable of providing 3.1A to two devices when USB ports horizontal to each other are selected.

