

PUPP1G
PUPP151G
PUPP201G
PUPPSW1G
PUPPV1G
PUPP1GL

*See current catalogue for further detail

Cleaning Guide:

Spraying cleaning products directly on to electrical switches or power points (sockets) is not recommended.

It is important to ensure that switches are turned off before cleaning.

Do not use any cleaning sprays - only wipe down with damp cloth or rub with dry cloth. Do not use an abrasive cloth as it may scratch the plastic.

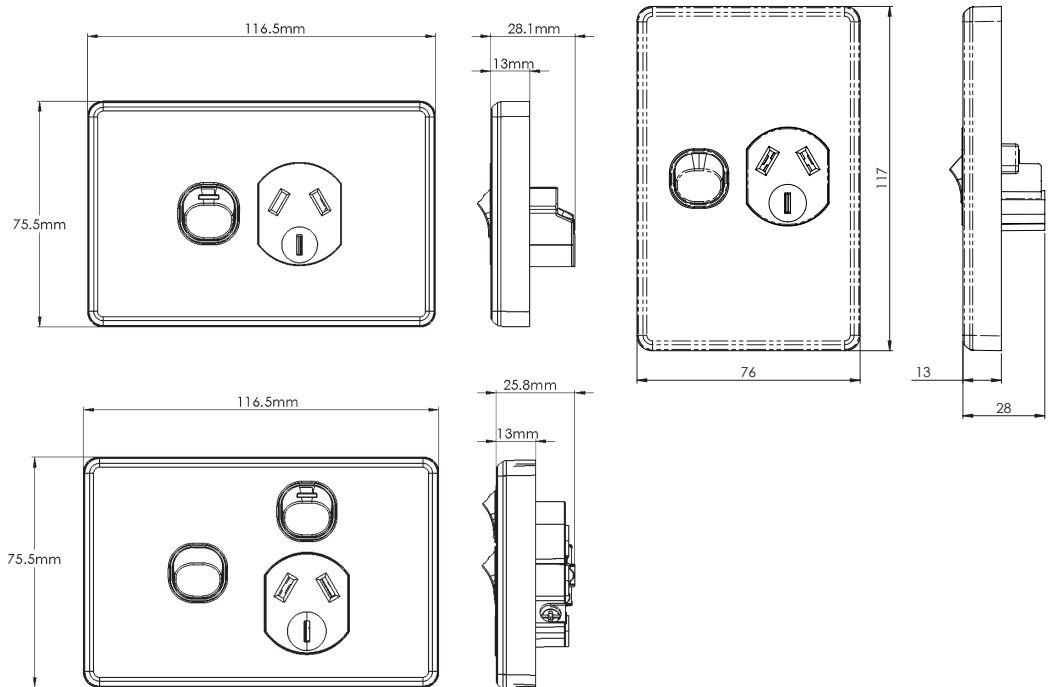
Do not use harsh chemical cleaners as these can break down the plastic and cause it to crack.

Do not wash the cover plates in water over 60°C.



Puma Range of Single Power Points

- Uses brass tunnel terminals that have the screws backed out for easier installation of cabling. Power point terminals have 5.7mm bore to suit 4 x 2.5mm² cable.
- Fits standard Australian wall boxes and mounting accessories that use 84mm mounting centres.
- Covers, plates and dollies are made from UV stabilised polycarbonate to avoid discolouring to yellow.
- Standard colour is white. Black also stocked - please check availability.
- Switches approved to AS/NZS3133.
- Socket outlets approved to AS/NZS3112.
- Typical example of size seen below:



Catalogue Number	Description
PUPP1G	Power Point Switched 1 Gang 10A 250V~
PUPP151G	Power Point Switched 1 Gang 15A 250V~
PUPP201G	Power Point Switched 1 Gang 20A 250V~
PUPPSW1G	Power Point Switched 1 Gang 10A 250V~ With Extra Switch, 10AX/16A
PUPPV1G	Power Point Switched Vertical 1 Gang 10A 250V~
PUPP1GL	Power Point Switched 1 Gang 10A 250V~ with Lighting Pin

When ordering BLACK product add "BK" at end of catalogue number, ie PUPP1GBK

When ordering BRUSHED ALUMINIUM (cover) add "CBA" at end of catalogue number, ie PUPP1GCBA

When ordering REPLACEMENT "COVERS ONLY" add "CO" at end of catalogue number, ie PUPP1GCO

Certification Number:

PUPP1G: GMA-509981-EA
PUPP151G: GMA-509981-EA
PUPPSW1G: GMA-501109-EA
PUPPV1G: GMA-501807-EA

GSM Electrical (Australia) Pty Ltd

Level 2, 142-144 Fullarton Road, Rose Park SA 5067
P: 1300 301 838 F: 1300 301 778 E: service@gsm.com.au
www.gsm.com.au



**PUPP1GAU
PUPP1GAUBK**

*See current catalogue for further detail

Cleaning Guide:

Spraying cleaning products directly on to electrical switches or power points (sockets) is not recommended.

It is important to ensure that switches are turned off before cleaning.

Do not use any cleaning sprays - only wipe down with damp cloth or rub with dry cloth. Do not use an abrasive cloth as it may scratch the plastic.

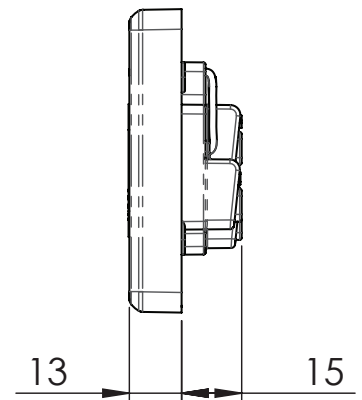
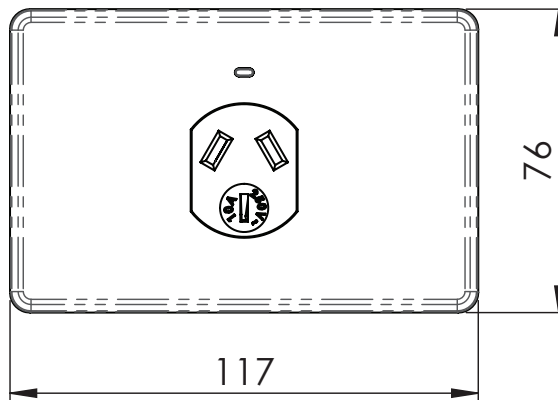
Do not use harsh chemical cleaners as these can break down the plastic and cause it to crack.

Do not wash the cover plates in water over 60°C.



Puma Range of Single Power Points (Auto Switched)

- Uses brass terminals that have the screws backed out for easier installation of cabling. Power point terminals have Square wrapped terminals to suit 4 x 2.5mm² cable.
- Fits standard Australian wall boxes and mounting accessories that use 84mm mounting centres.
- Covers, plates and dollies are made from UV stabilised polycarbonate to avoid discolouring to yellow.
- Standard colour is white. Black also stocked - please check availability.
- Socket outlets approved to AS/NZS3112.
- Active is auto switched.
- Shuttered.
- Typical example of size seen below:



Catalogue Number	Description
PUPP2GAU	Power Point Auto Switched 1 Gang 10A 250V~
PUPP2GAUBK	Power Point Auto Switched 1 Gang 10A 250V~ Black

Certification Number:
GMA-511520-EA

GSM Electrical (Australia) Pty Ltd
Level 2, 142-144 Fullarton Road, Rose Park SA 5067
P: 1300 301 838 F: 1300 301 778 E: service@gsm.com.au
www.gsm.com.au



PUPP2G
PUPP152G
PUPPSW2G
PUPPV2G

*See current catalogue for further detail

Cleaning Guide:

Spraying cleaning products directly on to electrical switches or power points (sockets) is not recommended.

It is important to ensure that switches are turned off before cleaning.

Do not use any cleaning sprays - only wipe down with damp cloth or rub with dry cloth. Do not use an abrasive cloth as it may scratch the plastic.

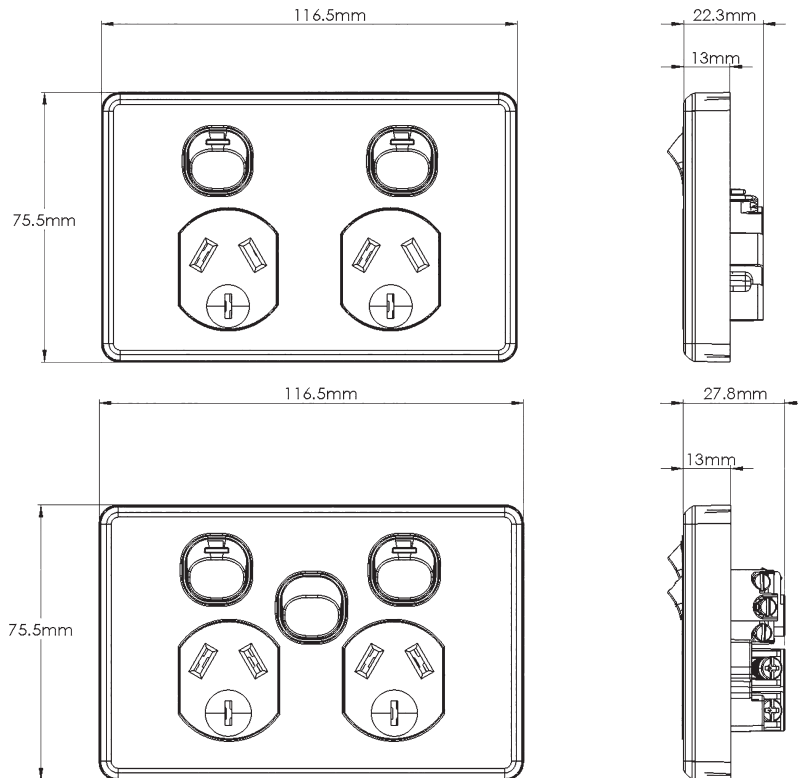
Do not use harsh chemical cleaners as these can break down the plastic and cause it to crack.

Do not wash the cover plates in water over 60°C.



Puma Range of Double Power Points

- Switches approved to AS/NZS3133
- Socket outlets approved to AS/NZS3112
- Uses brass tunnel terminals that have the screws backed out for easier installation of cabling. Power point terminals have 5.7mm bore to suit 4 x 2.5mm² cable.
- Fits standard Australian wall boxes and mounting accessories that use 84mm mounting centres.
- Covers, plates and dollies are made from UV stabilised polycarbonate to avoid discolouring to yellow.
- Standard colour is white. Black also stocked - please check availability.
- Typical example of size seen below:



Catalogue Number	Description
PUPP2G	Power Point Switched 2 Gang 10A 250V~
PUPP152G	Power Point Switched 2 Gang 15A 250V~
PUPPSW2G	Power Point Switched 2 Gang 10A 250V~ With Extra Switch 10AX/16A
PUPPV2G	Power Point Switched Vertical 2 Gang, 10A 250V~

When ordering BLACK product add "BK" at end of catalogue number, ie PUPP2GBK

When ordering BRUSHED ALUMINIUM (cover) add "CBA" at end of catalogue number, ie PUPP2GCBA

When ordering REPLACEMENT "COVERS ONLY" add "CO" at end of catalogue number, ie PUPP2GCO

Certification Number:

PUPP2G: GMA-508660-EA
PUPP152G: GMA-500830-EA
PUPPSW2G: GMA-501260-EA
PUPPV2G: GMA-501806-EA

GSM Electrical (Australia) Pty Ltd

Level 2, 142-144 Fullarton Road, Rose Park SA 5067
P: 1300 301 838 F: 1300 301 778 E: service@gsm.com.au
www.gsm.com.au



**PUPP2GAU
PUPP2GAUBK**

*See current catalogue for further detail

Cleaning Guide:

Spraying cleaning products directly on to electrical switches or power points (sockets) is not recommended.

It is important to ensure that switches are turned off before cleaning.

Do not use any cleaning sprays - only wipe down with damp cloth or rub with dry cloth. Do not use an abrasive cloth as it may scratch the plastic.

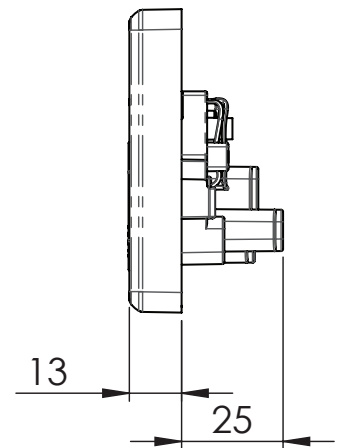
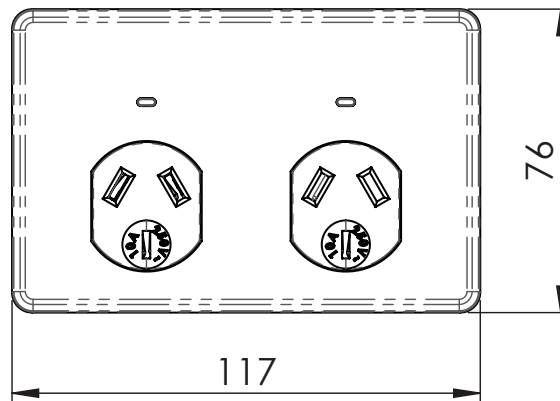
Do not use harsh chemical cleaners as these can break down the plastic and cause it to crack.

Do not wash the cover plates in water over 60°C.



**Puma Range of Double Power Points
(Auto Switched)**

- Uses brass terminals that have the screws backed out for easier installation of cabling. Power point terminals have Square wrapped terminals to suit 4 x 2.5mm² cable.
- Fits standard Australian wall boxes and mounting accessories that use 84mm mounting centres.
- Covers, plates and dollies are made from UV stabilised polycarbonate to avoid discolouring to yellow.
- Standard colour is white. Black also stocked - please check availability.
- Socket outlets approved to AS/NZS3112.
- Active is auto switched.
- Shuttered.
- Typical example of size seen below:



Catalogue Number	Description
PUPP2GAU	Power Point Auto Switched 2 Gang 10A 250V~
PUPP2GAUBK	Power Point Auto Switched 2 Gang 10A 250V~ Black

Certification Number:
GMA-511521-EA

GSM Electrical (Australia) Pty Ltd
Level 2, 142-144 Fullarton Road, Rose Park SA 5067
P: 1300 301 838 F: 1300 301 778 E: service@gsm.com.au
www.gsm.com.au



Vertical Switches

- PUSWV1G**
- PUSWV2G**
- PUSWV3G**
- PUSWV4G**
- PUSWV5G**
- PUSWV6G**

Horizontal Switches

- PUSW1G**
- PUSW2G**
- PUSW3G**
- PUSW4G**
- PUSW5G**
- PUSW6G**

Switch Plates (Less Mechs)

- PUSWPV1G**
- PUSWPV2G**
- PUSWPV3G**
- PUSWPV4G**
- PUSWPV5G**
- PUSWPV6G**
- PUSWPVXG**

*See current catalogue for further detail

Cleaning Guide:

Spraying cleaning products directly on to electrical switches or power points (sockets) is not recommended.

It is important to ensure that switches are turned off before cleaning.

Do not use any cleaning sprays - only wipe down with damp cloth or rub with dry cloth. Do not use an abrasive cloth as it may scratch the plastic.

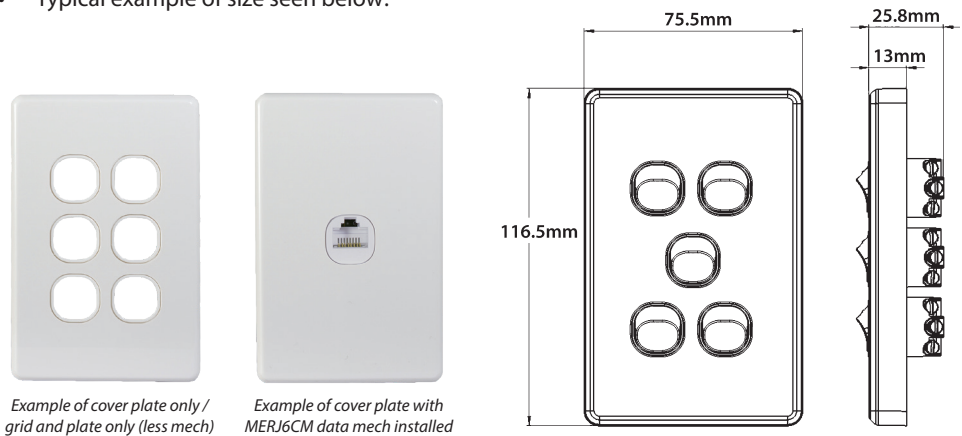
Do not use harsh chemical cleaners as these can break down the plastic and cause it to crack.

Do not wash the cover plates in water over 60°C.



Puma Range of Switch Plates

- Switches are rated 10AX/16A 250V~ and approved to AS/NZS3133
- Fits standard Australian wall boxes and mounting accessories that use 84mm mounting centres.
- Uses brass tunnel terminals that have the screws backed out for easier installation of cabling. Switches are two way with looping terminal and suit 4 x 1.5mm² cabling with 4.1 bore.
- Slotted head screws for the terminals.
- Covers, plates and dollies are made from UV stabilised polycarbonate to avoid discolouring to yellow.
- Standard colour is white. Black also stocked - please check availability.
- Plates suit Trader Meerkat MESW mechs, including TV and Data; and Clipsal 30 Style* mechs and accessories
- Typical example of size seen below:



Example of cover plate only / grid and plate only (less mech)

Example of cover plate with MERJ6CM data mech installed

Catalogue No.	Description
PUSWV1G	Switch Vertical 1 Gang, 10AX/16A 250V~
PUSWV2G	Switch Vertical 2 Gang, 10AX/16A 250V~
PUSWV3G	Switch Vertical 3 Gang, 10AX/16A 250V~
PUSWV4G	Switch Vertical 4 Gang, 10AX/16A 250V~
PUSWV5G	Switch Vertical 5 Gang, 10AX/16A 250V~
PUSWV6G	Switch Vertical 6 Gang, 10AX/16A 250V~
PUSW1G	Switch Horizontal 1 Gang, 10AX/16A 250V~
PUSW2G	Switch Horizontal 2 Gang, 10AX/16A 250V~
PUSW3G	Switch Horizontal 3 Gang, 10AX/16A 250V~
PUSW4G	Switch Horizontal 4 Gang, 10AX/16A 250V~
PUSW5G	Switch Horizontal 5 Gang, 10AX/16A 250V~
PUSW6G	Switch Horizontal 6 Gang, 10AX/16A 250V~

Catalogue No.	Description
PUSWPV1G	Switch Plate Vertical 1 Gang (Less Mech)
PUSWPV2G	Switch Plate Vertical 2 Gang (Less Mech)
PUSWPV3G	Switch Plate Vertical 3 Gang (Less Mech)
PUSWPV4G	Switch Plate Vertical 4 Gang (Less Mech)
PUSWPV5G	Switch Plate Vertical 5 Gang (Less Mech)
PUSWPV6G	Switch Plate Vertical 6 Gang (Less Mech)
PUSWPVXG	Blank plate with clip on surround

The above catalogue numbers where "P" appears in number, refers to Cover Plate Only / Grid and Plate only (less mech)

*The Clipsal brand and associated products are Trademarks of Schneider Electric (Australia) Pty Ltd.

GSM Electrical (Australia) Pty Ltd, the TRADER brand and it's products, have no endorsement or affiliation with Schneider Electric Pty Ltd.

Horizontals available by request

When ordering BLACK product add "BK" at end of catalogue number, ie PUSWV1GBK

When ordering BRUSHED ALUMINIUM (cover) add "CBA" at end of catalogue number, ie PUSWV1GCBA

When ordering REPLACEMENT "COVERS ONLY" add "CO" at end of catalogue number, ie PUSWPV1GCO



MEERKAT Switch Mechanisms are used for all switch plates. Please refer to Meerkat Mech Matrix for range compatibility.

Certification Number: GMA-508434-EA

GSM Electrical (Australia) Pty Ltd

Level 2, 142-144 Fullarton Road, Rose Park SA 5067

P: 1300 301 838 F: 1300 301 778 E: service@gsme.com.au

www.gsme.com.au



PUPP1GCBA
PUPP2GCBA
PUPP2USB2GCBA
PUPPSW1GCBA
PUPPSW2GCBA
PUSWDPOV45CBA
PUSWPV1GCBA
PUSWPV2GCBA
PUSWPV3GCBA
PUSWPV4GCBA
PUSWPV5GCBA
PUSWPV6GCBA

*See current catalogue for further detail

Cleaning Guide:

Spraying cleaning products directly on to electrical switches or power points (sockets) is not recommended.

It is important to ensure that switches are turned off before cleaning.

Do not use any cleaning sprays - only wipe down with damp cloth or rub with dry cloth. Do not use an abrasive cloth as it may scratch the plastic.

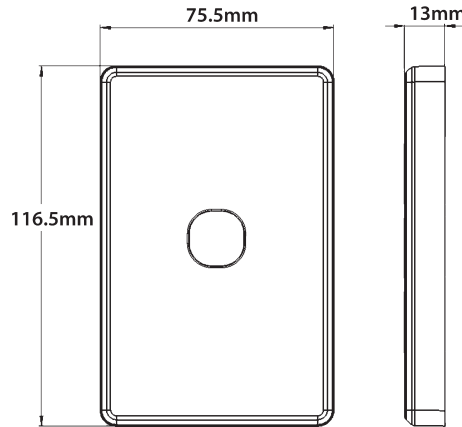
Do not use harsh chemical cleaners as these can break down the plastic and cause it to crack.

Do not wash the cover plates in water over 60°C.



Puma Range of Switch & Socket Brushed Aluminium Covers

- Brushed Aluminium covers provide a great protective upgrade to switches and sockets and do not fingerprint as much as other materials while providing a similar look.
- The brushed finish is complemented with the décor of other brushed stainless appliances or looks stylish on other backgrounds.



Example of cover plate
PUPPSW1GCBA



Example of cover plate with
PUPPSW1GCBA with PUPPSW1G



Example of cover plate with
PUPPSW1GCBA with PUPPSW1G

Catalogue Number	Description
PUPP1GCBA	Power Point Switched 1 Gang, Cover Brushed Aluminium
PUPP2GCBA	Power Point Switched 2 Gang, Cover Brushed Aluminium
PUPPSW1GCBA	Power Point Switched 1 Gang With Extra Switch Cover Brushed Aluminium
PUPPSW2GCBA	Power Point Switched 2 Gang With Extra Switch Cover Brushed Aluminium
PUSWPV1GCBA	Switch Plate Vertical 1 Gang Cover Brushed Aluminium
PUSWPV2GCBA	Switch Plate Vertical 2 Gang Cover Brushed Aluminium
PUSWPV3GCBA	Switch Plate Vertical 3 Gang Cover Brushed Aluminium
PUSWPV4GCBA	Switch Plate Vertical 4 Gang Cover Brushed Aluminium
PUSWPV5GCBA	Switch Plate Vertical 5 Gang Cover Brushed Aluminium
PUSWPV6GCBA	Switch Plate Vertical 6 Gang Cover Brushed Aluminium
PUSWDPOV45CBA	Switch Oven Double Pole Cover Brushed Aluminium



PUSWV3GLFH

Cleaning Guide:

Spraying cleaning products directly on to electrical switches or power points (sockets) is not recommended.

It is important to ensure that switches are turned off before cleaning.

Do not use any cleaning sprays - only wipe down with damp cloth or rub with dry cloth. Do not use an abrasive cloth as it may scratch the plastic.

Do not use harsh chemical cleaners as these can break down the plastic and cause it to crack.

Do not wash the cover plates in water over 60°C.



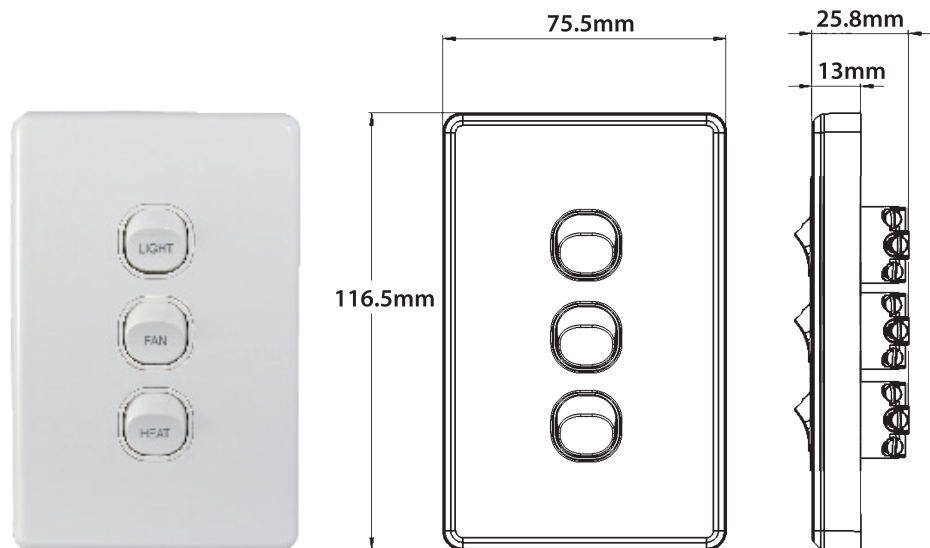
Puma FAN, LIGHT, HEAT Switch Plate

The Puma PUSWV3GLFH is the stylish 3 Gang Switch Plate that has mechanisms labelled with LIGHT, FAN, HEAT, text.

It is the ideal product to control LIGHT/FAN/HEAT 3IN1 bathroom units (2 lamp version).

Features:

- Switches are rated 10AX/16A 250V~ and approved to AS/NZS3133.
- Fits standard Australian wall boxes and mounting accessories that use 84mm mounting centres.
- Uses brass tunnel terminals that have the screws backed out for easier installation of cabling. Switches are two way with looping terminal and suit 4 x 1.5mm² cabling with 4.1 bore.
- Slotted head screws for the terminals.
- Covers, plates and dollies are made from UV stabilised polycarbonate to avoid discolouring to yellow.
- Mechs labelled as LIGHT, FAN, HEAT, to be used in conjunction with 3IN1 fan/light/heater
- Standard colour is White.
- Typical example of size seen below:



Catalogue Number	Description
PUSWV3GLFH	Switch Vertical 3 Gang 10AX/16A 250V~ (Mechs Labelled LIGHT FAN HEAT)

Certification Number: TBC

GSM Electrical (Australia) Pty Ltd

Level 2, 142-144 Fullarton Road, Rose Park SA 5067

P: 1300 301 838 F: 1300 301 778 E: service@gsme.com.au

www.gsme.com.au



PUSWV4GFLHH

Cleaning Guide:

Spraying cleaning products directly on to electrical switches or power points (sockets) is not recommended.

It is important to ensure that switches are turned off before cleaning.

Do not use any cleaning sprays - only wipe down with damp cloth or rub with dry cloth. Do not use an abrasive cloth as it may scratch the plastic.

Do not use harsh chemical cleaners as these can break down the plastic and cause it to crack.

Do not wash the cover plates in water over 60°C.



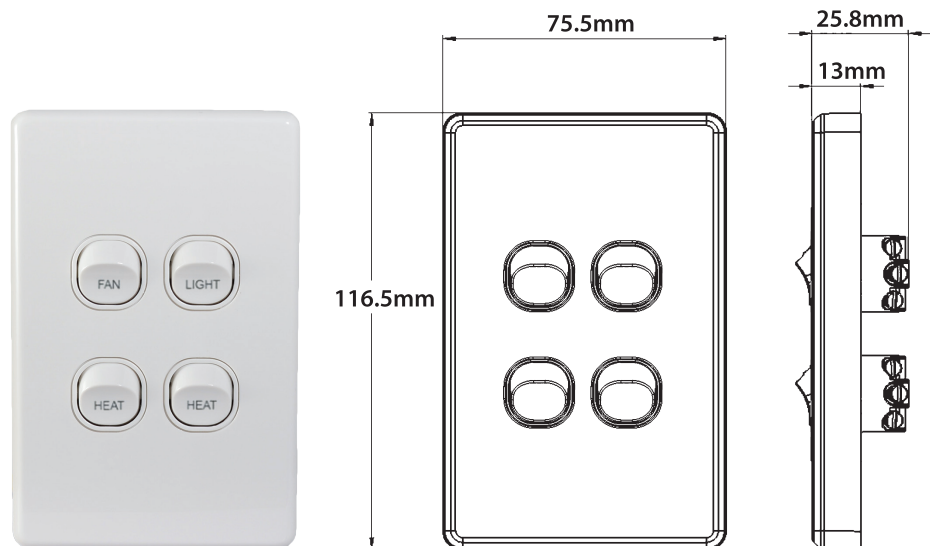
Puma FAN, LIGHT, HEAT Switch Plate

The Puma PUSWV4GFLHH is the stylish 4 Gang Switch Plate that has mechanisms labelled with FAN, LIGHT, HEAT, HEAT text.

It is the ideal product to control FAN/LIGHT/HEAT 3IN1 bathroom units.

Features:

- Switches are rated 10AX/16A 250V~ and approved to AS/NZS3133
- Fits standard Australian wall boxes and mounting accessories that use 84mm mounting centres.
- Uses brass tunnel terminals that have the screws backed out for easier installation of cabling. Switches are two way with looping terminal and suit 4 x 1.5mm² cabling with 4.1 bore.
- Slotted head screws for the terminals.
- Covers, plates and dollies are made from UV stabilised polycarbonate to avoid discolouring to yellow.
- Mechs labelled as FAN, LIGHT, HEAT, HEAT to be used in conjunction with 3IN1 fan/light/heater
- Standard colour is White.
- Typical example of size seen below:



Catalogue Number	Description
PUSWV4GFLHH	Switch Vertical 4 Gang 10AX/16A 250V~ (Mechs Labelled FAN, LIGHT, HEAT, HEAT)

Certification Number: TBC

GSM Electrical (Australia) Pty Ltd

Level 2, 142-144 Fullarton Road, Rose Park SA 5067

P: 1300 301 838 F: 1300 301 778 E: service@gsme.com.au

www.gsme.com.au



Vertical Switches

- PUSWV1G66**
- PUSWV2G66**
- PUSWV4G66**
- PUSWV4G66FLHH**

Horizontal Switches

- PUSW1G66**
- PUSW2G66**
- PUSW4G66**
- PUSW4G66FLHH**

*See current catalogue for further detail



Warning:

Must be installed by a licensed electrician and installed in accordance with requirements of AS/NZS3000.

Caution no user serviceable parts contained, risk of electric shock if dismantled. Cutting cables or damaging components will void warranty.

Check whether the product has been damaged in transport. Do not operate or install any product which appears damaged in any way. Return the complete product to place of purchase for inspection or replacement.

Cleaning Guide:

Spraying cleaning products directly on to electrical switches or power points (sockets) is not recommended.

It is important to ensure that switches are turned off before cleaning.

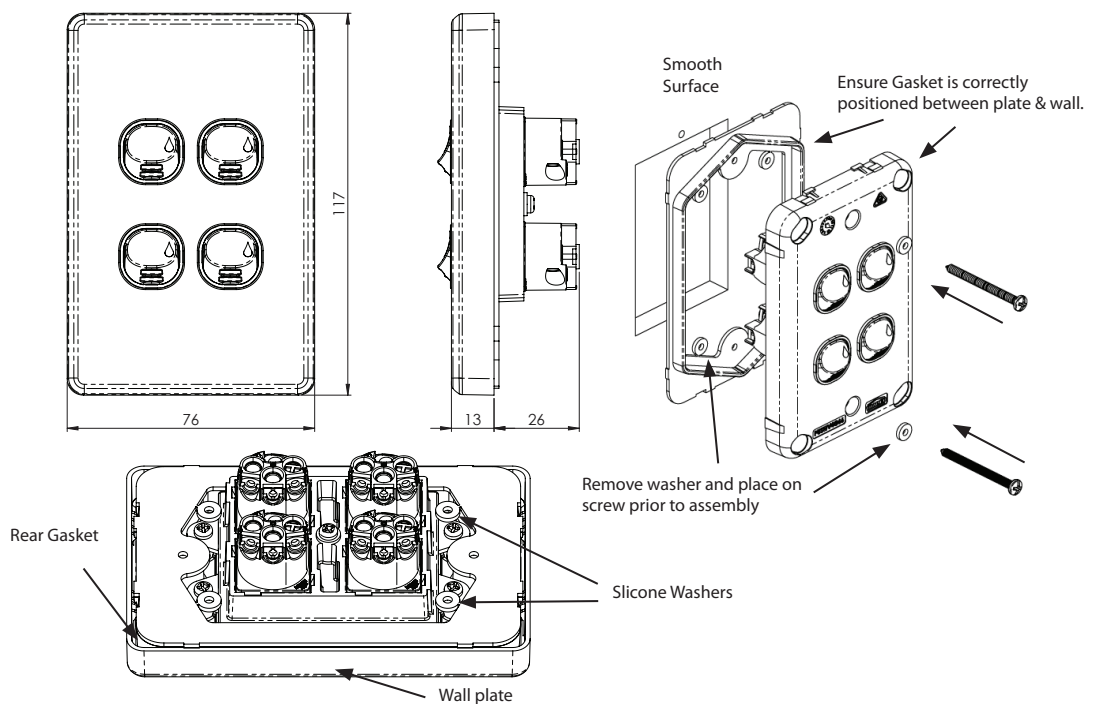
Do not use any cleaning sprays - only wipe down with damp cloth or rub with dry cloth. Do not use an abrasive cloth as it may scratch the plastic.

Do not use harsh chemical cleaners as these can break down the plastic and cause it to crack.

Do not wash the cover plates in water over 60°C.

Puma Range of IP66 Switch Plates

- Trader IP66 rated flush switches have been designed to achieve IP66 on a smooth, flat, non-porous surface, from the front of the switch only.
- The switches are compatible with mounting hardware for standard 84mm mounting centre wallplates.
- IP Rating : IP66 (from front only).
- Voltage Rating: 250V a.c
- Current Rating: 10AX.
- Motor Rating: M100
- No provision has been made to prevent water and dust entering from behind the switch.
- Care should be taken when mounting, to ensure that water and dust cannot bypass the gasket and come in contact with live parts.
- Ensure that the mounting surface is completely flat, smooth and non-porous.
- Make sure the rear gasket seal is located in its correct position. – Use the silicone washer.
- Clip on front cover/surround.



Catalogue No.	Description
PUSWV1G66	Switch Vertical 1 Gang 10AX 250V~ IP66
PUSWV2G66	Switch Vertical 2 Gang 10AX 250V~ IP66
PUSWV4G66	Switch Vertical 4 Gang 10AX 250V~ IP66
PUSWV4G66FLHH	Switch Vertical 4 Gang 10AX 250V~ IP66, printed FAN LIGHT HEAT HEAT
PUSW1G66	Switch Horizontal 1 Gang 10AX 250V~ IP66
PUSW2G66	Switch Horizontal 2 Gang 10AX 250V~ IP66
PUSW4G66	Switch Horizontal 4 Gang 10AX 250V~ IP66
PUSW4G66FLHH	Switch Horizontal 4 Gang 10AX 250V~ IP66, printed FAN LIGHT HEAT HEAT

Certification Number: GMA-508434-EA

GSM Electrical (Australia) Pty Ltd

Level 2, 142-144 Fullarton Road, Rose Park SA 5067

P: 1300 301 838 F: 1300 301 778 E: service@g sme.com.au

www.g sme.com.au



Data Specification Sheet
June 2022



PUSWVA1G
PUSWVA2G
PUSWVA3G
PUSWVA4G

*See current catalogue for further detail

Page 1 of 2

Cleaning Guide:

Spraying cleaning products directly on to electrical switches or power points (sockets) is not recommended.

It is important to ensure that switches are turned off before cleaning.

Do not use any cleaning sprays - only wipe down with damp cloth or rub with dry cloth. Do not use an abrasive cloth as it may scratch the plastic.

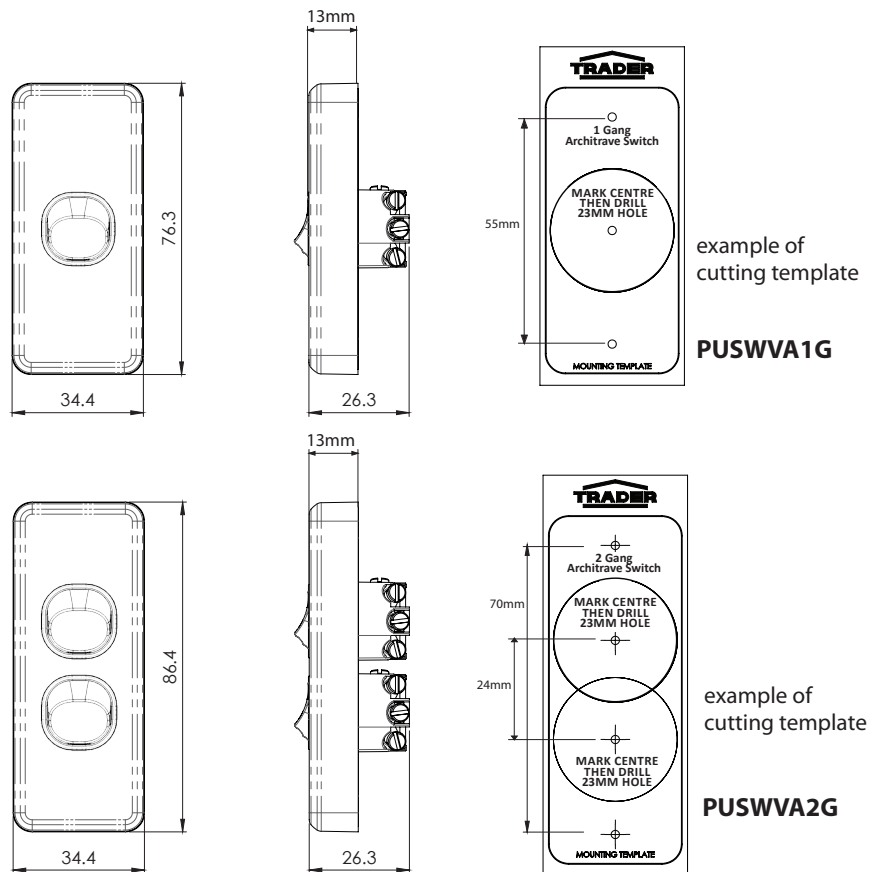
Do not use harsh chemical cleaners as these can break down the plastic and cause it to crack.

Do not wash the cover plates in water over 60°C.



Puma Range of Architrave Switches

- Switches are rated 10AX/16A 250V~
- Uses brass tunnel terminals that have the screws backed out for easier installation of cabling. Switches are two way with looping terminal and suit 4 x 1.5mm² cabling with 4.1mm bore
- Slotted head screws for the terminals
- Covers, plates and dollies are made from UV stabilised polycarbonate to avoid discolouring to yellow
- Standard colour is white.
- Approved to AS/NZS3133
- Typical example of size seen below:



Catalogue Number	Description
PUSWVA1G	Switch Vertical Architrave 1 Gang, 10AX/16A 250V~
PUSWVA2G	Switch Vertical Architrave 2 Gang, 10AX/16A 250V~
PUSWVA3G	Switch Vertical Architrave 3 Gang, 10AX/16A 250V~
PUSWVA24	Switch Vertical Architrave 4 Gang, 10AX/16A 250V~



MEERKAT Switch Mechanisms are used for all switch plates. Please refer to **Meerkat Mech Matrix** for range compatibility.

Certification Number: GMA-508434-EA

GSM Electrical (Australia) Pty Ltd

Level 2, 142-144 Fullarton Road, Rose Park SA 5067

P: 1300 301 838 F: 1300 301 778 E: service@gsme.com.au

www.gsme.com.au



Data Specification Sheet
February 2022

PUSWVA1G
PUSWVA2G
PUSWVA3G
PUSWVA4G

*See current catalogue for further detail

Page 2 of 2

Cleaning Guide:

Spraying cleaning products directly on to electrical switches or power points (sockets) is not recommended.

It is important to ensure that switches are turned off before cleaning.

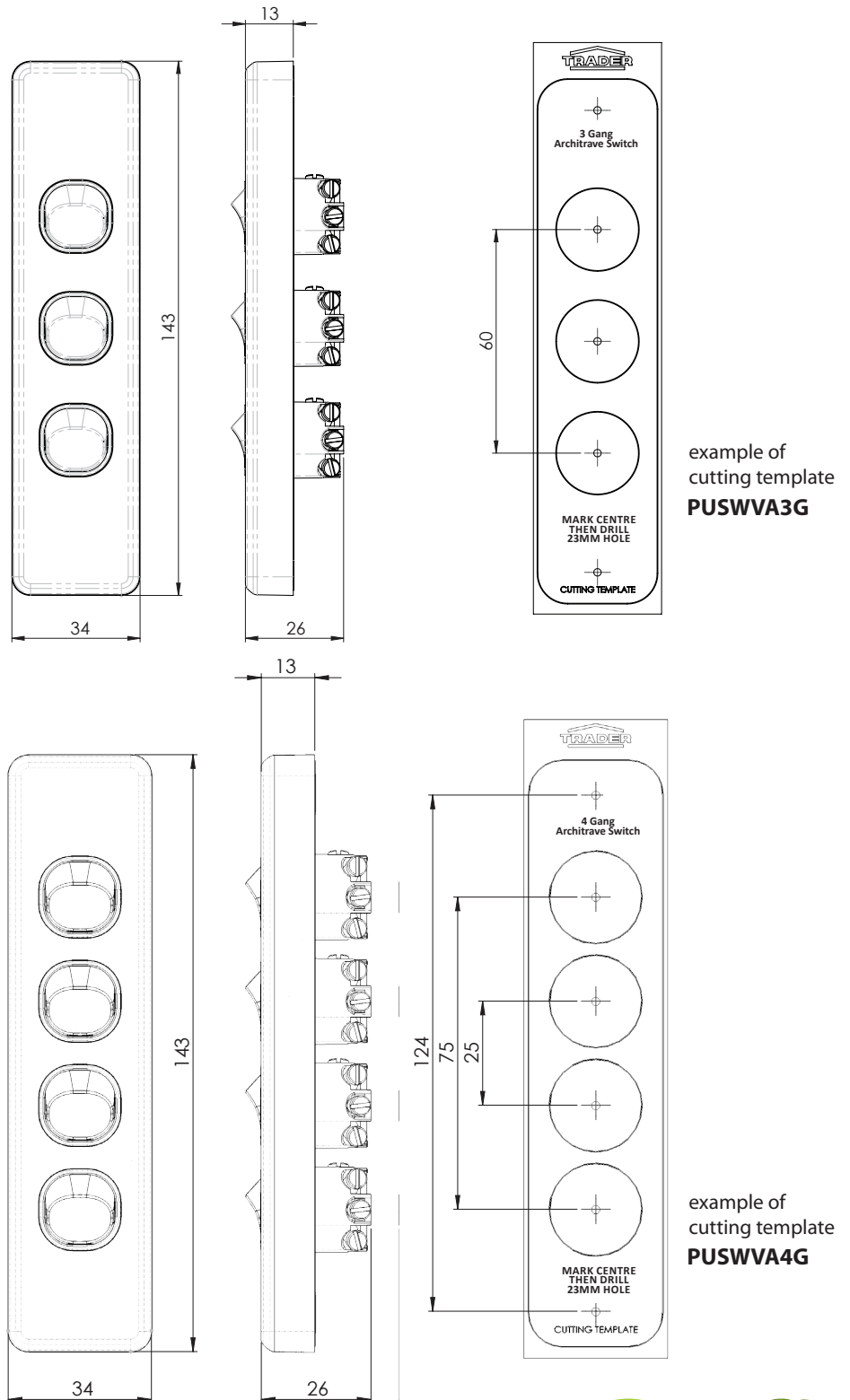
Do not use any cleaning sprays - only wipe down with damp cloth or rub with dry cloth. Do not use an abrasive cloth as it may scratch the plastic.

Do not use harsh chemical cleaners as these can break down the plastic and cause it to crack.

Do not wash the cover plates in water over 60°C.



Puma Range of Architrave Switches



Certification Number: GMA-508434-EA

GSM Electrical (Australia) Pty Ltd

Level 2, 142-144 Fullarton Road, Rose Park SA 5067

P: 1300 301 838 F: 1300 301 778 E: service@gsme.com.au

www.gsme.com.au



PUBIG4
PUBIG5
PUBIG4BK
PUBIG5BK
PUBIG4MW
PUBIG5MW
PUBIG4MBK
PUBIG5MBK

PUBIG4MB & PUBIG5MB
Mounting Blocks
are used in conjunction
with PUBIG4 and PUBIG5
PUBIG4CA & PUBIG5CA
(Aluminium Covers)
are also available
(See separate Data Sheet)

Cleaning Guide:

Spraying cleaning products directly on to electrical switches or power points (sockets) is not recommended. It is important to ensure that switches are turned off before cleaning. Do not use any cleaning sprays - only wipe down with damp cloth or rub with dry cloth. Do not use an abrasive cloth as it may scratch the plastic. Do not use harsh chemical cleaners as these can break down the plastic and cause it to crack. Do not wash the cover plates in water over 60°C.



Puma BIG4 and BIG5 Fixed Power Points

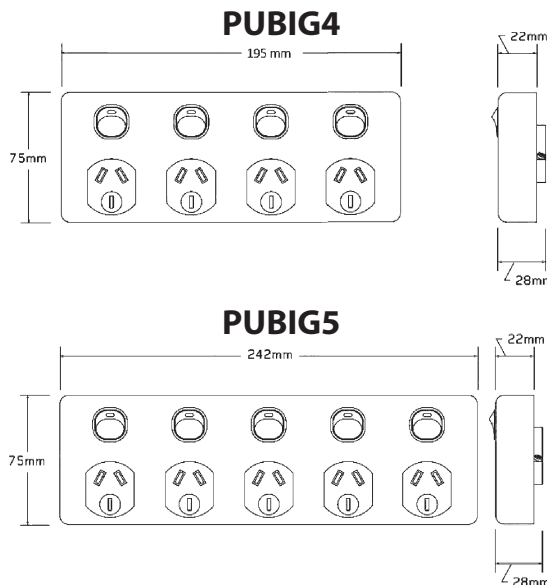
PUBIG4 and PUBIG5
DOUBLE POLE

PUBIG4

- Double pole surface mounted switched Quad power point.
- 10A at 250V~
- Diameter 6mm terminal bores to suit 4 x 2.5 mm² cables. 6mm terminal bore.
- Fits 84 mm mounting centres.
- Dolly indicator colour orange.
- Covers, plates and dollies are made from UV stabilised polycarbonate to avoid discolouring to yellow.
- Colour: White / Black / Matt White / Matt Black also stocked - **please check availability.**
- Approved to AS/NZS3112.

PUBIG5

- Double pole surface mounted switched Five gang power point.
- 10A at 250V~
- Diameter 6mm terminal bores to suit 4 x 2.5 mm² cables. 6mm terminal bore.
- Fits 84 mm mounting centres.
- Dolly indicator colour orange.
- Covers, plates and dollies are made from UV stabilised polycarbonate to avoid discolouring to yellow.
- Colour: White.
- Mounting blocks include backing plates for situations where fully enclosed insulation is required.
- Colour: White / Black / Matt White / Matt Black also stocked - **please check availability.**
- Approved to AS/NZS3112.
- **The BIG5 uses the same features and mounting system as the BIG4, but has the additional switched socket for convenience.**



PUBIG4MB and PUBIG5MB Mounting Blocks are used in conjunction with PUBIG4 & PUBIG5
(Separate Data Sheet available with measurements details)

- 25mm high mounting block to suit PUBIG4, LEBIG4, PUBIG5 and LEBIG5
- Made from UV stabilised polycarbonate to avoid discolouring to yellow
- BIG4 Mounting blocks include backing plates for situations where fully enclosed insulation is required.
- BIG5 Mounting blocks include backing plates for situations where fully enclosed insulation is required.

When ordering BLACK product add "BK" at end of catalogue number, ie PUBIG5BK
 When ordering MATT WHITE add "MW" at end of catalogue number, ie PUBIG5MW
 When ordering MATT BLACK add "MBK" at end of catalogue number, ie PUBIG5MBK

Certification Number: GMA-507804-EA

GSM Electrical (Australia) Pty Ltd
 Level 2, 142-144 Fullarton Road, Rose Park SA 5067
 P: 1300 301 838 F: 1300 301 778 E: service@gsmc.com.au
www.gsmc.com.au



**PUBIG4MB
PUBIG4MBBK
PUBIG5MB**

*See current catalogue for further detail



Cleaning Guide:

Spraying cleaning products directly on to electrical switches or power points (sockets) is not recommended.

It is important to ensure that switches are turned off before cleaning.

Do not use any cleaning sprays - only wipe down with damp cloth or rub with dry cloth. Do not use an abrasive cloth as it may scratch the plastic.

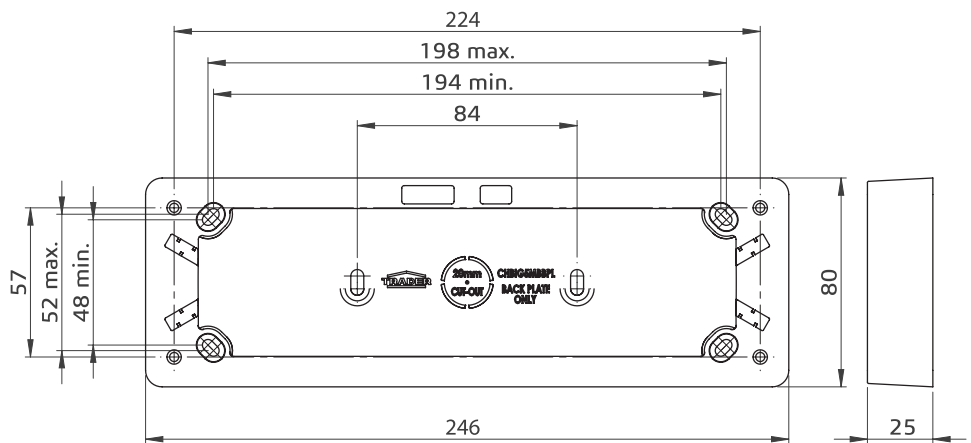
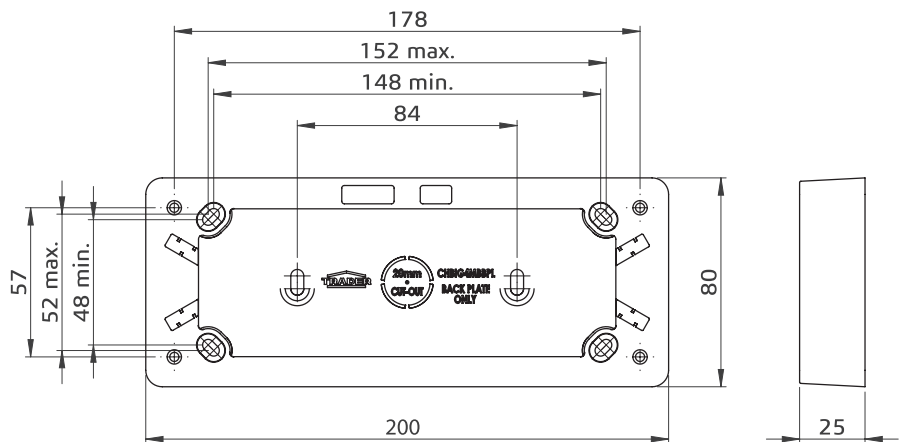
Do not use harsh chemical cleaners as these can break down the plastic and cause it to crack.

Do not wash the cover plates in water over 60°C.



Puma BIG4 and BIG5 Fixed Power Points - Mounting Blocks

- 25mm high mounting block to suit PUBIG4 and PUBIG5.
- Made from UV stabilised polycarbonate to avoid discolouring to yellow.
- BIG4 Mounting block available in White or Black
- BIG5 Mounting block only available in White
- BIG4 and BIG4 Mounting blocks include backing plates for situations where fully enclosed insulation is required.



Catalogue Number	Description
PUBIG4MB	4 Gang Mounting Block, for PUBIG4B
PUBIG4MBBK	4 Gang Mounting Block, Black, for PUBIG4BK
PUBIG5MB	5 Gang Mounting Block, for PUBIG5

GSM Electrical (Australia) Pty Ltd
 Level 2, 142-144 Fullarton Road, Rose Park SA 5067
 P: 1300 301 838 F: 1300 301 778 E: service@gsm.com.au
www.gsm.com.au



**PU4X4
PU4X4AC**

*See current catalogue for further detail

Cleaning Guide:

Spraying cleaning products directly on to electrical switches or power points (sockets) is not recommended.

It is important to ensure that switches are turned off before cleaning.

Do not use any cleaning sprays - only wipe down with damp cloth or rub with dry cloth. Do not use an abrasive cloth as it may scratch the plastic.

Do not use harsh chemical cleaners as these can break down the plastic and cause it to crack.

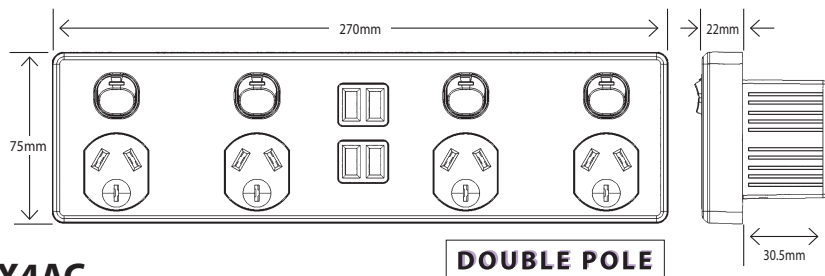
Do not wash the cover plates in water over 60°C.



4 x 4 – 4 Sockets x 4 USBs

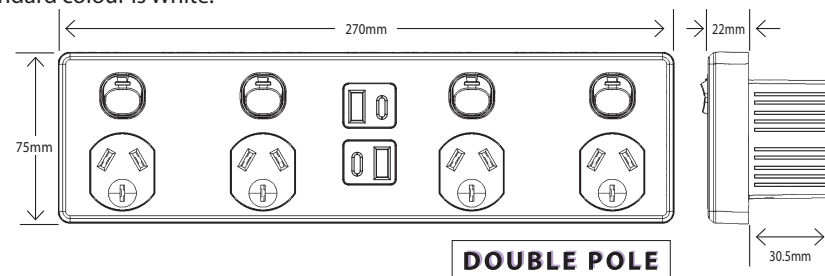
PU4X4

- Approved to AS/NZS3112 & AS/NZS60950-1
- Four sockets and four USB ports
- Wide spacing between sockets for wide plug bases.
- Mounting Block [PU4X4MB] suits Puma 4X4 Products
- The rating for the USB is 2 x 3.1A at 5V when one device is inserted then it divides to split the output when a device is inserted in each USB socket - 3.1A available across 2 USB outlets on the left and 3.1A available across 2 USB outlets on the right
- Fits standard wall boxes and mounting accessories
- Covers, plates and dollies are made from UV stabilised polycarbonate to avoid discolouring to yellow
- Standard colour is White. Also available in Black, Matt White and Matt Black - please check availability



PU4X4AC

- Approved to AS/NZS3112 & AS/NZS60950-1
- Suitable for USB Type C applications up to 3 Amp at 5V.
- Ideal for phones that utilise USB Type C connections.
- Not suitable for lap tops or other devices requiring greater output than 3 Amp at 5V.
- Four sockets and four USB ports
- Wide spacing between sockets for wide plug bases.
- Mounting Block [PU4X4MB] suits Puma 4X4 Products
- The overall electronic assembly rating is 3.1A at 5V; it then divides the output when devices are inserted in each USB socket.
- Fits standard wall boxes and mounting accessories
- Covers, plates and dollies are made from UV stabilised polycarbonate to avoid discolouring to yellow
- Standard colour is White.



Catalogue Number	Description
PU4X4	Power Point Switched 4 Gang, 10A 250V~ and 4 USBs
PU4X4AC	Power Point 4 Gang 10A 250V~ Double Pole Plus 4 Gang USB Charger Type A & C (3.1A Top & 3.1A Bottom)

When ordering BLACK product add "BK" at end of catalogue number, ie PU4X4BK
 When ordering MATT WHITE product add "MW" at end of catalogue number, ie PU4X4MW
 When ordering MATT BLACK product add "MBK" at end of catalogue number, ie PU4X4MBK
 When ordering BLACK product add "BK" at end of catalogue number, ie PU4X4ACBK

Certification Number: GMA-502543-EA

GSM Electrical (Australia) Pty Ltd
 Level 2, 142-144 Fullarton Road, Rose Park SA 5067
 P: 1300 301 838 F: 1300 301 778 E: service@gsme.com.au
www.gsme.com.au



**PUBIG4CA
PUBIG5CA**

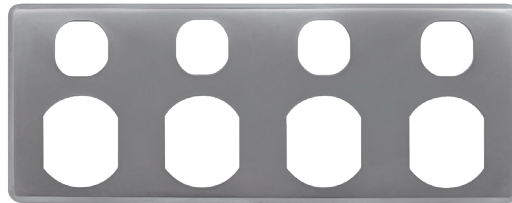
BIG4 and BIG5 Fixed Power Point Covers Aluminium Look

PUBIG4CA

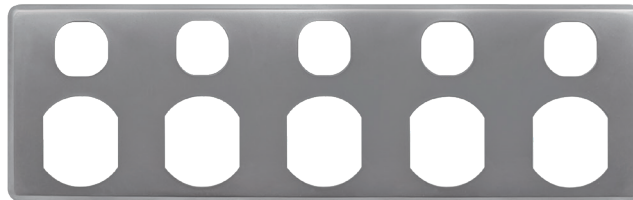
- Cover are moulded and painted silver to provide the appearance of Aluminium from a distance.
- Covers have been colour matched and finished to complement other PUMA products with Brushed Aluminium covers fitted.
- Suits PUBIG4 (White) and PUBIG4BK

PUBIG5CA

- Cover are moulded and painted silver to provide the appearance of Aluminium from a distance.
- Covers have been colour matched and finished to complement other PUMA products with Brushed Aluminium covers fitted.
- Suits PUBIG5 (White) and PUBIG5BK



Order code: PUBIG4CA



Order code: PUBIG5CA

Cleaning Guide:

Spraying cleaning products directly on to electrical switches or power points (sockets) is not recommended.

It is important to ensure that switches are turned off before cleaning.

Do not use any cleaning sprays - only wipe down with damp cloth or rub with dry cloth. Do not use an abrasive cloth as it may scratch the plastic.

Do not use harsh chemical cleaners as these can break down the plastic and cause it to crack.

Do not wash the cover plates in water over 60°C.



Catalogue Number	Description
PUBIG4CA	4 Gang Fixed Power Point, Cover Aluminium
PUBIG5CA	5 Gang Fixed Power Point, Cover Aluminium

*Note: The mounting blocks PUBIG4MB and PUBIG5MB are not available in this finish.

PUBIG4MB and PUBIG5MB Mounting Blocks are used in conjunction with PUBIG4 & PUBIG5 (Separate Data Sheet available with measurements details)

- 25mm high mounting block to suit PUBIG4 and PUBIG5
- Made from UV stabilised polycarbonate to avoid discolouring to yellow
- BIG4 Mounting blocks include backing plates for situations where fully enclosed insulation is required.
- BIG5 Mounting blocks include backing plates for situations where fully enclosed insulation is required.

Certification Number: N/A

GSM Electrical (Australia) Pty Ltd

Level 2, 142-144 Fullarton Road, Rose Park SA 5067

P: 1300 301 838 F: 1300 301 778 E: service@gsme.com.au

www.gsme.com.au



**PU4X4MB
PU4X4MBBK**

*See current catalogue for further detail



Cleaning Guide:

Spraying cleaning products directly on to electrical switches or power points (sockets) is not recommended.

It is important to ensure that switches are turned off before cleaning.

Do not use any cleaning sprays - only wipe down with damp cloth or rub with dry cloth. Do not use an abrasive cloth as it may scratch the plastic.

Do not use harsh chemical cleaners as these can break down the plastic and cause it to crack.

Do not wash the cover plates in water over 60°C.



Puma 4X4 Mounting Blocks

- 31mm high mounting block to suit LE4X4 (34mm with backing plate) .
- Made from UV stabilised polycarbonate to avoid discolouring to yellow.
- Mounting block includes backing plate for situations where fully enclosed insulation is required.
- Standard colour is white. Black also stocked - please check availability.

Catalogue Number	Description
PU4X4MB	Mounting Block (31mm deep) / with backing plate (34mm deep)
PU4X4MBBK	Mounting Block (31mm deep) / with backing plate (34mm deep) Black

PUUSB2G
PUUSB4G

*See current catalogue for further detail

Cleaning Guide:

Spraying cleaning products directly on to electrical switches or power points (sockets) is not recommended.

It is important to ensure that switches are turned off before cleaning.

Do not use any cleaning sprays - only wipe down with damp cloth or rub with dry cloth. Do not use an abrasive cloth as it may scratch the plastic.

Do not use harsh chemical cleaners as these can break down the plastic and cause it to crack.

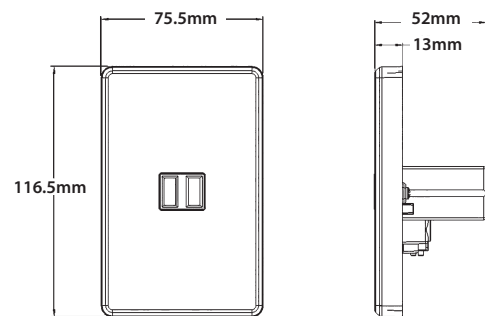
Do not wash the cover plates in water over 60°C.



Puma Range of USB's

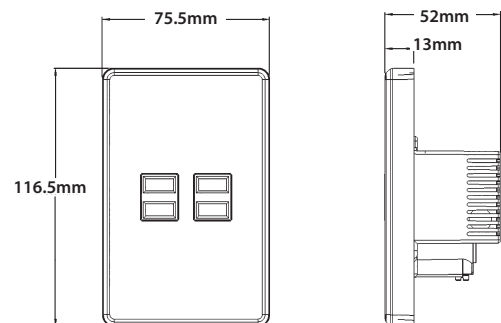
PUUSB2G

- USB outlet approved to AS/NZS 60950.1
- The rating for the USB is 3.4A at 5V when one device is inserted then it divides to split the output when a device is inserted in each USB socket
- USB power supply contains temperature cut out and overload protection
- Fits standard wall boxes and mounting accessories
- Full cover plate
- Covers, plates and dollies are made from UV stabilised polycarbonate to avoid discolouring to yellow
- Standard colour is white.



PUUSB4G

- USB outlet approved to AS/NZS 60950.1
- The rating for the USB is 2 x 3.1A at 5V when one device is inserted then it divides to split the output when a device is inserted in each USB socket - 3.1A available across 2 USB outlets on the left and 3.1A available across 2 USB outlets on the right
- USB power supply contains temperature cut out and overload protection
- Fits standard wall boxes and mounting accessories
- Full cover plate
- Covers, plates and dollies are made from UV stabilised polycarbonate to avoid discolouring to yellow
- Standard colour is white.



Catalogue Number	Description
PUUSB2G	Fully Integrated 3.4A Dual USB Charger Plate
PUUSB4G	Fully Integrated Quad USB Charger Plate

Certification Number:
PUUSB2G / PUUSB4G: GMA-508370-EA

GSM Electrical (Australia) Pty Ltd
Level 2, 142-144 Fullarton Road, Rose Park SA 5067
P: 1300 301 838 F: 1300 301 778 E: service@g sme.com.au
www.g sme.com.au



PUPP2USB2G
PUPP2USB2GAC
PUPP2USB2GBK
PUPP2USB2GACBK

Cleaning Guide:

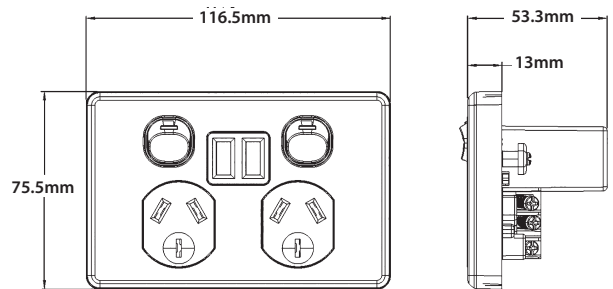
Spraying cleaning products directly on to electrical switches or power points (sockets) is not recommended. It is important to ensure that switches are turned off before cleaning. Do not use any cleaning sprays - only wipe down with damp cloth or rub with dry cloth. Do not use an abrasive cloth as it may scratch the plastic. Do not use harsh chemical cleaners as these can break down the plastic and cause it to crack. Do not wash the cover plates in water over 60°C.



Puma Range of USB's

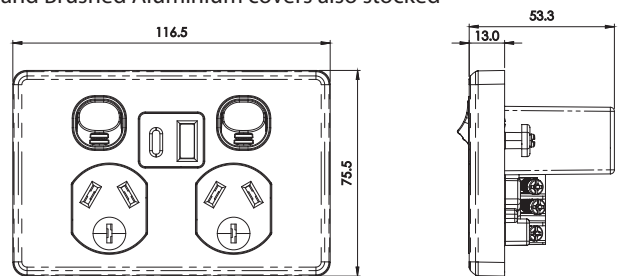
PUPP2USB2G

- USB outlet approved to AS/NZS 60950.1
- Electrical power point approved to AS/NZS 3112
- The rating for the USB is 3.4A at 5V when one device is inserted then it divides to split the output when a device is inserted in each USB socket.
- Fits standard wall boxes and mounting accessories
- Full cover plate
- Covers, plates and dollies are made from UV stabilised polycarbonate to avoid discolouring to yellow
- Standard colour is white. Black and Brushed Aluminium covers also stocked - please check availability



PUPP2USB2GAC

- Suitable for USB Type C applications up to 3 Amp at 5V.
- Ideal for phones that utilise USB Type C connections.
- Not suitable for lap tops or other devices requiring greater output than 3 Amp at 5V.
- USB outlet approved to AS/NZS 60950.1
- Electrical power point approved to AS/NZS 3112
- The overall electronic assembly rating is 3.4A at 5V; it then divides the output when devices are inserted in each USB socket.
- Fits standard wall boxes and mounting accessories
- Full cover plate
- Covers, plates and dollies are made from UV stabilised polycarbonate to avoid discolouring to yellow
- Standard colour is white. Black and Brushed Aluminium covers also stocked - please check availability



Catalogue Number	Description
PUPP2USB2G	Fully Integrated Dual USB Charger Power Point
PUPP2USB2GAC	Fully Integrated Dual USB Charger Power Point (Type A & C)
PUPP2USB2GBK	Fully Integrated Dual USB Charger Power Point, Black
PUPP2USB2GACBK	Fully Integrated Dual USB Charger Power Point (Type A & C), Black

When ordering **BLACK** product add "BK" at end of catalogue number, ie PUPP2USB2GBK
 When ordering **BRUSHED ALUMINIUM** (cover) add "CBA" at end of catalogue number, ie PUPP2USB2GCBA
 When ordering **REPLACEMENT "COVERS ONLY"** add "CO" at end of catalogue number, ie PUPP2USB2GCO

Certification Number:
GMA-508273-EA

GSM Electrical (Australia) Pty Ltd
 Level 2, 142-144 Fullarton Road, Rose Park SA 5067
 P: 1300 301 838 F: 1300 301 778 E: service@gsme.com.au
www.gsme.com.au



PUMB

*See current catalogue for further detail

Cleaning Guide:

Spraying cleaning products directly on to electrical switches or power points (sockets) is not recommended.

It is important to ensure that switches are turned off before cleaning.

Do not use any cleaning sprays - only wipe down with damp cloth or rub with dry cloth. Do not use an abrasive cloth as it may scratch the plastic.

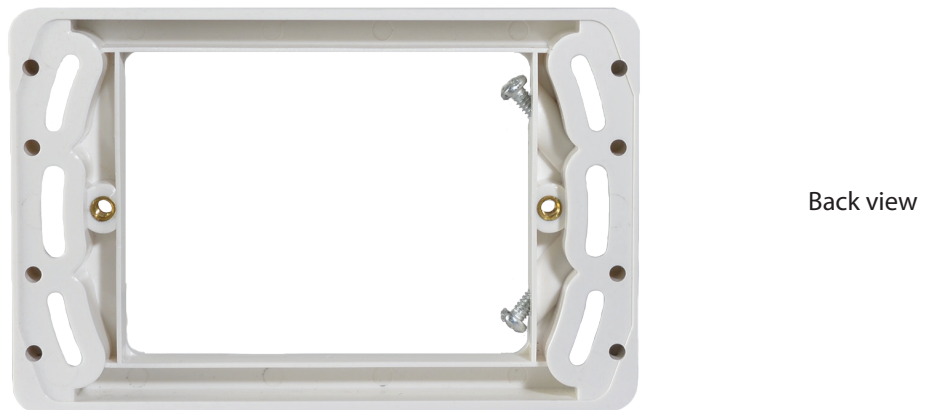
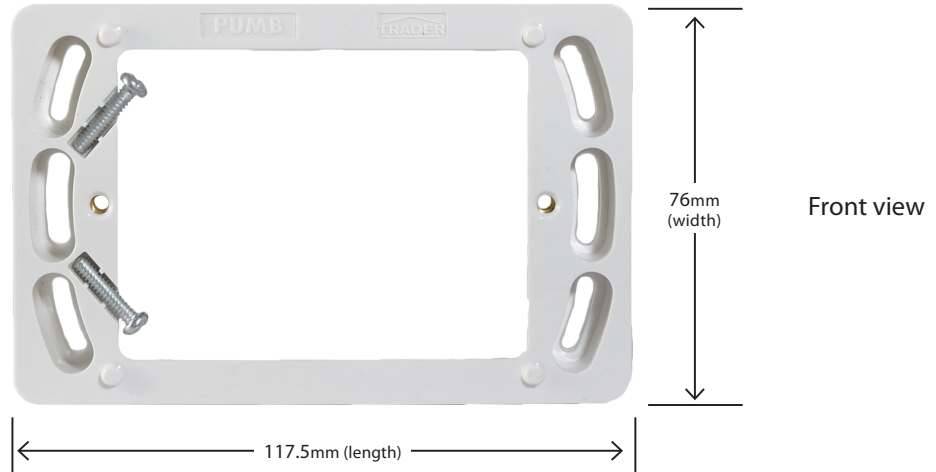
Do not use harsh chemical cleaners as these can break down the plastic and cause it to crack.

Do not wash the cover plates in water over 60°C.



PUMB Mounting Block

- 84mm mounting centres
- Suitable for use with Puma Range
- Made from UV stabilised polycarbonate to avoid discolouring to yellow
- Overall dimensions (length 117.5mm x width 76mm x depth 14mm)



Catalogue Number	Description
PUMB	Puma Mounting Block

PUSWDPOV45
PUSWDPOV45H
PUSWDPOV45BK
PUSWDPOV45BKH

*See current catalogue for further detail

Cleaning Guide:

Spraying cleaning products directly on to electrical switches or power points (sockets) is not recommended.

It is important to ensure that switches are turned off before cleaning.

Do not use any cleaning sprays - only wipe down with damp cloth or rub with dry cloth. Do not use an abrasive cloth as it may scratch the plastic.

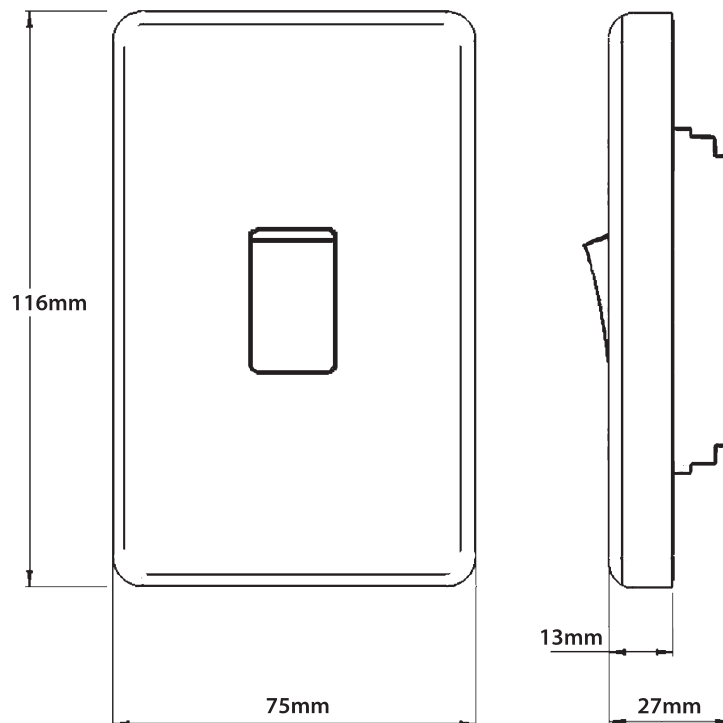
Do not use harsh chemical cleaners as these can break down the plastic and cause it to crack.

Do not wash the cover plates in water over 60°C.



Puma Oven Switches

- Switch approved to AS/NZS60669.1
- 45A 250V~, Double Pole
- Terminal bore 6.5mm diameter suits 16mm² cable
- Cover, plate and dolly is made from UV stabilised polycarbonate to avoid discolouring to yellow
- Standard colour is white. Also available in black.



Catalogue Number	Description
PUSWDPOV45	Switch Oven, 45A 250V~ Double Pole
PUSWDPOV45H	Switch Oven, 45A 250V~ Double Pole - Horizontal
PUSWDPOV45BK	Switch Oven, 45A 250V~ Double Pole, Black
PUSWDPOV45BKH	Switch Oven, 45A 250V~ Double Pole, Black - Horizontal

Certification Number:

PUSWDPOV45 / PUSWDPOV45H: GMA-502679

GSM Electrical (Australia) Pty Ltd

Level 2, 142-144 Fullarton Road, Rose Park SA 5067

P: 1300 301 838 F: 1300 301 778 E: service@gsm.com.au

www.gsm.com.au



**PUPPSHELF
PUPPUSBSHELF**

**For use with:
PUPP2G
PUPP2USB2G**

Also suitable for use with
Clipsal C2000 Series*

Cleaning Guide:

Spraying cleaning products directly on to electrical switches or power points (sockets) is not recommended.

It is important to ensure that switches are turned off before cleaning.

Do not use any cleaning sprays - only wipe down with damp cloth or rub with dry cloth. Do not use an abrasive cloth as it may scratch the plastic.

Do not use harsh chemical cleaners as these can break down the plastic and cause it to crack.

Do not wash the cover plates in water over 60°C.



Puma Power Point & USB Shelf

- Suitable for use with Puma style plates
- Includes screws and screw caps for secure retention on wall
- No need to remove wall plates from wall for installation of the shelf
- Also suitable for use with Clipsal C2000 Series*



Example of the shelf in use with PUPP2G

Example of the shelf in use with PUPP2USB2G



Example of the PUPPSHELF in use



Example of the PUPPUSBSHELF in use

Includes screws and screw caps



*All similar products are Clipsal references and Clipsal is the Trademark of Schneider Electric Pty Ltd.

GSM Electrical (Australia) Pty Ltd
Level 2, 142-144 Fullarton Road, Rose Park SA 5067
P: 1300 301 838 F: 1300 301 778 E: service@gsm.com.au
www.gsm.com.au



Data Specification Sheet
December 2017

PUENTP3G (Empty)

PUENTP3GTVA (Populated)

PU = Puma ENT = Entertainment

P = Plate 3G = 3 GANG

TVA - Television Accessories (Foxtel TV, Cat 6 Data and HDMI (2.0) all included)

Cleaning Guide:

Spraying cleaning products directly on to electrical switches or power points (sockets) is not recommended.

It is important to ensure that switches are turned off before cleaning.

Do not use any cleaning sprays - only wipe down with damp cloth or rub with dry cloth. Do not use an abrasive cloth as it may scratch the plastic.

Do not use harsh chemical cleaners as these can break down the plastic and cause it to crack.

Do not wash the cover plates in water over 60°C.

Puma Entertainment Plates

PUENTP3G (Empty) and PUENTP3GTVA (Populated)

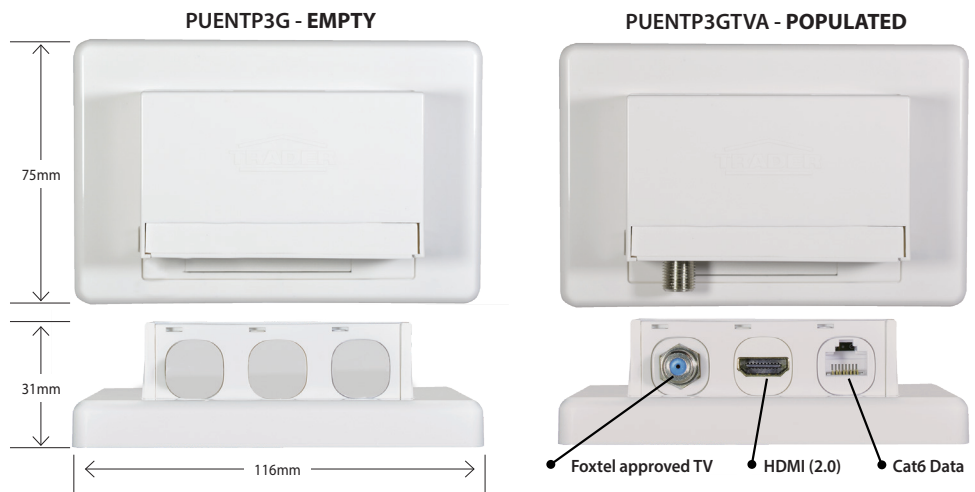
- Protrudes from wall 31mm
- Mounting centres standard 84mm
- PUMA style cover finishes the appearance

Product comes in two forms, empty apertures or pre populated:

PUENTP3G (Empty) for use with any form of Trader or Clipsal* style clip in Audio Visual or Data Jack products

PUENTP3GTVA (Populated) Comes with Cat6 Data Jack [MERJ6CM], HDMI (2.0) Flat Ribbon clip in cable [MEHDMIFR] and Foxtel approved F-type connector [METVFFCMFX] with 90° screwed adaptor [METVFFA90FX].

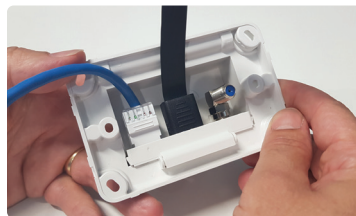
WARNING: This product is not approved for use with 250V~ switches



Jack clip in plate comes separate for easy installation and termination



Pre-assembled and terminated plate can be rotated into position and clipped into place.



View shows underside where plate has been completely clipped in.



View shows assembly where plate has been completely clipped in ready for installation.



Examples of alternative solutions showing audio visual jacks being fitted to the Puma Entertainment Plate product

*Clipsal is registered trademarks of Schneider Electric (Australia) Pty Ltd. Reference is made for suitability of use only.

GSM Electrical (Australia) Pty Ltd, the TRADER brand and it's products, have no endorsement or affiliation with Schneider Electric Pty Ltd.

GSM Electrical (Australia) Pty Ltd

Level 2, 142-144 Fullarton Road, Rose Park SA 5067

P: 1300 301 838 F: 1300 301 778 E: service@gsme.com.au

www.gsme.com.au



Data Specification Sheet
February 2018



PUPP2GSK

*See current catalogue for further detail

Cleaning Guide:

Spraying cleaning products directly on to electrical switches or power points (sockets) is not recommended.

It is important to ensure that switches are turned off before cleaning.

Do not use any cleaning sprays - only wipe down with damp cloth or rub with dry cloth. Do not use an abrasive cloth as it may scratch the plastic.

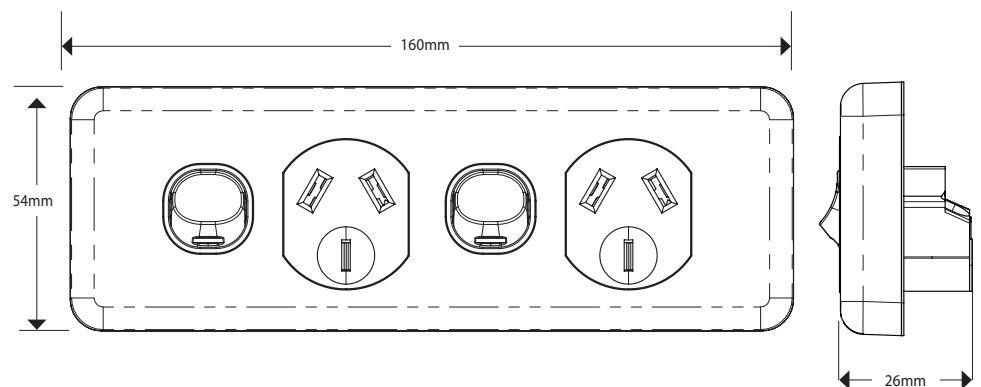
Do not use harsh chemical cleaners as these can break down the plastic and cause it to crack.

Do not wash the cover plates in water over 60°C.



Puma Double Power Point, Skirting Mount

- The Double Power Point assembly consists of two single sockets that are looped together (loops are included).
- The slim design is ideal for skirting board applications or thin timber panel mounting where space is an issue.
- The styling of the plate aligns with the rest of the PUMA range.
- The socket is only available in single pole format.
- Slim profile of 54mm high.
- Depth into the wall including the wire loops is 26mm.
- 135mm mounting centres.
- Length overall with cover 160mm.
- Available in White.



Catalogue Number	Description
PUPP2GSK	Power Point Switched 2 Gang, Skirting Mount, 10A 250V~

Certification Number:
TBC

GSM Electrical (Australia) Pty Ltd
Level 2, 142-144 Fullarton Road, Rose Park SA 5067
P: 1300 301 838 F: 1300 301 778 E: service@gsme.com.au
www.gsme.com.au



Data Specification Sheet
September 2021

PUPP1GVP
PUPP151GVP
PUPP201GVP

*See current catalogue for further detail

Cleaning Guide:

Spraying cleaning products directly on to electrical switches or power points (sockets) is not recommended.

It is important to ensure that switches are turned off before cleaning.

Do not use any cleaning sprays - only wipe down with damp cloth or rub with dry cloth. Do not use an abrasive cloth as it may scratch the plastic.

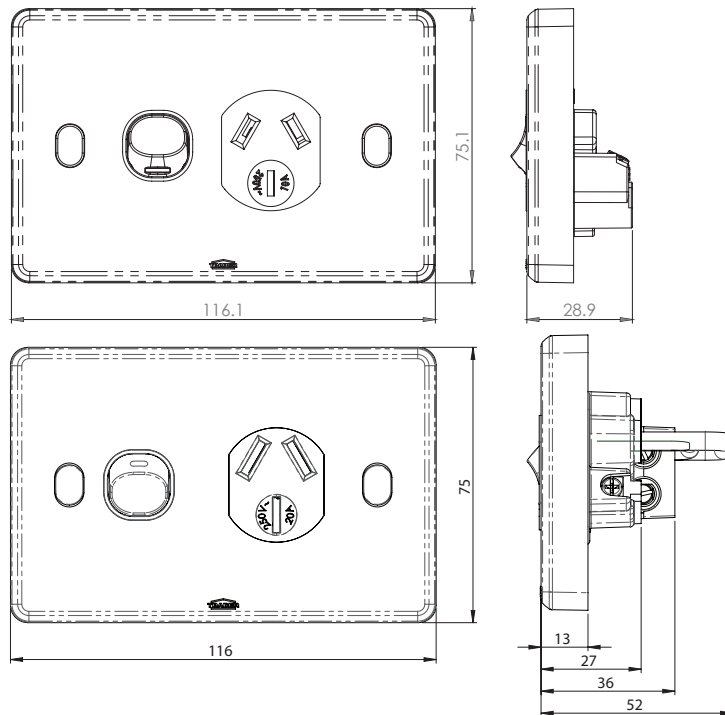
Do not use harsh chemical cleaners as these can break down the plastic and cause it to crack.

Do not wash the cover plates in water over 60°C.



Puma Vandal Proof Range of Single Power Points

- Socket outlets approved to AS/NZS3112
- Sockets Have Shutters and are Double Pole
- Oval screw caps for extra adjustment on wall (no removable cover)
- Uses brass tunnel terminals that have the screws backed out for easier installation of cabling. Power point terminals have 5.7mm bore to suit 4 x 2.5mm² cable
- Fits standard Australian wall boxes and mounting accessories that use 84mm mounting centres
- Plates and dollies are made from UV stabilised polycarbonate to avoid discolouring to yellow
- Shutter operates from either earth or neutral
- PUPP1GVP Impact rating IK09 to IEC62262:2002.
- Standard colour is white.
- Typical example of size seen below:



Catalogue Number	Description
PUPP1GVP	Power Point Switched 1 Gang, 10A 250V~ Shuttered, Double Pole, VANDAL PROOF
PUPP151GVP	Power Point Switched 1 Gang, 15A 250V~ Shuttered, Double Pole, VANDAL PROOF
PUPP201GVP	Power Point Switched, 1 Gang, 20A 250V~ Shuttered, Double Pole VANDAL PROOF

Certification Number: GMA-506913-EA
PUPP201GVP: GMA-511870-EA

GSM Electrical (Australia) Pty Ltd
Level 2, 142-144 Fullarton Road, Rose Park SA 5067
P: 1300 301 838 F: 1300 301 778 E: service@gsm.com.au
www.gsm.com.au



PUPP2GVP
PUPP2GVPBU
PUPP2GVPRD
PUPP2GVPTR
PUPPSW2GVP
PUPP152GVP

*See current catalogue for further detail

Cleaning Guide:

Spraying cleaning products directly on to electrical switches or power points (sockets) is not recommended.

It is important to ensure that switches are turned off before cleaning.

Do not use any cleaning sprays - only wipe down with damp cloth or rub with dry cloth. Do not use an abrasive cloth as it may scratch the plastic.

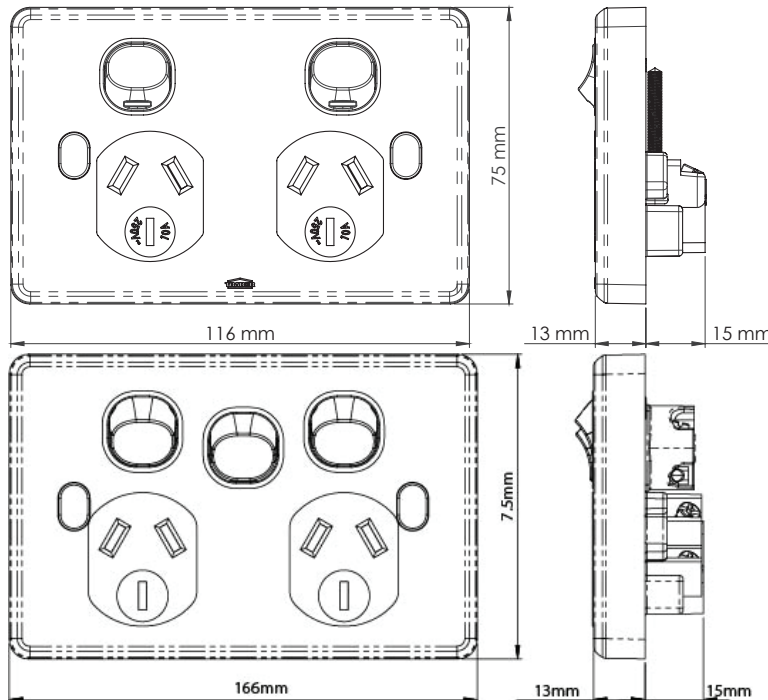
Do not use harsh chemical cleaners as these can break down the plastic and cause it to crack.

Do not wash the cover plates in water over 60°C.



Puma Vandal Proof Range of Double Power Points

- Sockets Have Shutters and are Double Pole.
- Oval screw caps for extra adjustment on wall (no removable cover).
- Uses brass tunnel terminals that have the screws backed out for easier installation of cabling. Power point terminals have 5.7mm bore to suit 4 x 2.5mm² cable.
- Fits standard Australian wall boxes and mounting accessories that use 84mm mounting centres.
- Plates and dollies are made from UV stabilised polycarbonate to avoid discolouring to yellow.
- Sockets achieve IK09 to IEC62262:2002.
- Standard colour is white. Also available in Red and Blue. Please check availability.
- Shutter operates from either earth or neutral
- Socket outlets approved to AS/NZS3112.
- Typical example of size seen below:



Catalogue Number	Description
PUPP2GVP	Power Point Switched 2 Gang, 10A 250V~ Shuttered, Double Pole, VANDAL PROOF
PUPP2GVPBU	Power Point Switched 2 Gang, 10A 250V~ Shuttered, Double Pole, VANDAL PROOF, Blue
PUPP2GVPRD	Power Point Switched 2 Gang, 10A 250V~ Shuttered, Double Pole, VANDAL PROOF, Red
PUPP2GVPTR	Power Point Switched 2 Gang, 10A 250V~ Shuttered, Double Pole, VANDAL PROOF, Transparent
PUPPSW2GVP	Power Point Switched 2 Gang 10A 250V~ With Extra Double Pole Switch 10AX/16A, VANDAL PROOF
PUPP151GVP	Power Point Switched 1 Gang, 15A 250V~ Shuttered, Double Pole, VANDAL PROOF
PUPP152GVP	Power Point Switched 2 Gang, 15A 250V~ Shuttered, Double Pole, VANDAL PROOF

Certification Number: GMA-505204-EA

GSM Electrical (Australia) Pty Ltd

Level 2, 142-144 Fullarton Road, Rose Park SA 5067

P: 1300 301 838 F: 1300 301 778 E: service@gsm.com.au

www.gsm.com.au



PUPP2GVPTR

*See current catalogue for further detail

Cleaning Guide:

Spraying cleaning products directly on to electrical switches or power points (sockets) is not recommended.

It is important to ensure that switches are turned off before cleaning.

Do not use any cleaning sprays - only wipe down with damp cloth or rub with dry cloth. Do not use an abrasive cloth as it may scratch the plastic.

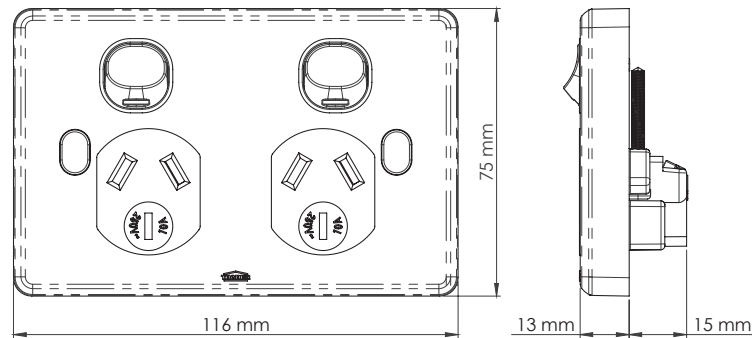
Do not use harsh chemical cleaners as these can break down the plastic and cause it to crack.

Do not wash the cover plates in water over 60°C.



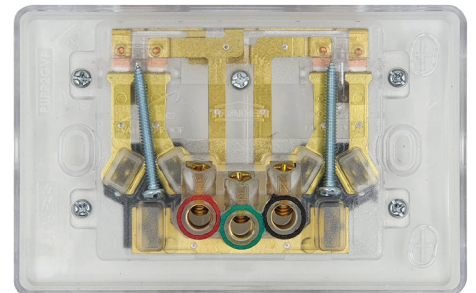
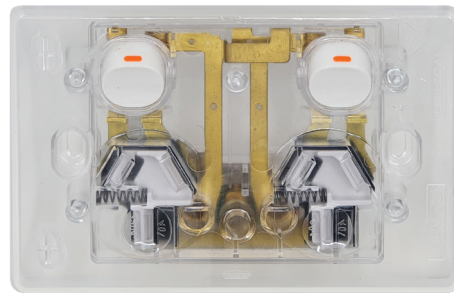
Power Point Switched 2 Gang Double Pole Shuttered 10A 250V~ Vandal Proof Transparent

- Sockets Have Shutters and are Double Pole.
- Oval screw caps for extra adjustment on wall (no removable cover).
- Uses brass tunnel terminals that have the screws backed out for easier installation of cabling. Power point terminals have 5.7mm bore to suit 4 x 2.5mm² cable.
- Fits standard Australian wall boxes and mounting accessories that use 84mm mounting centres.
- Dollies are made from UV stabilised polycarbonate to avoid discolouring to yellow.
- Shutter operates from either earth or neutral
- Socket outlets approved to AS/NZS3112.
- Typical example of size seen below:



Front

Back



Catalogue Number	Description
PUPP2GVPTR	Power Point Switched 2 Gang, 10A 250V~ Shuttered, Double Pole, VANDAL PROOF, Transparent

Certification Number: GMA-505204-EA

GSM Electrical (Australia) Pty Ltd

Level 2, 142-144 Fullarton Road, Rose Park SA 5067

P: 1300 301 838 F: 1300 301 778 E: service@gsme.com.au

www.gsme.com.au



Data Specification Sheet
October 2022

**PUPPUSB2GACVP
PUPPUSB2GACVPBK**

Cleaning Guide:

Spraying cleaning products directly on to electrical switches or power points (sockets) is not recommended.

It is important to ensure that switches are turned off before cleaning.

Do not use any cleaning sprays - only wipe down with damp cloth or rub with dry cloth. Do not use an abrasive cloth as it may scratch the plastic.

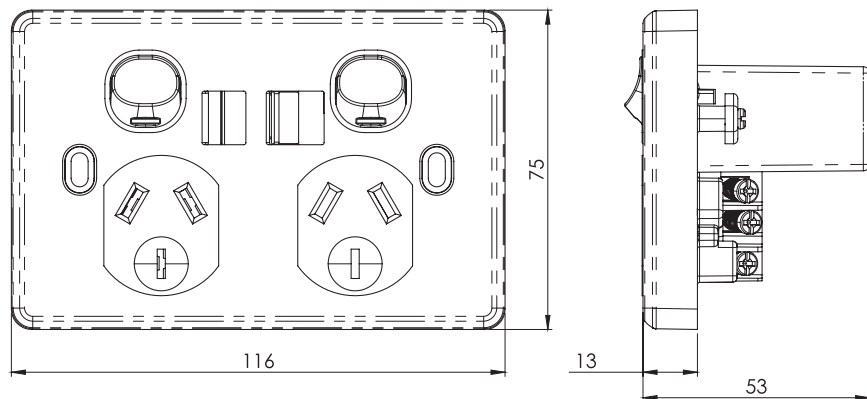
Do not use harsh chemical cleaners as these can break down the plastic and cause it to crack.

Do not wash the cover plates in water over 60°C.



Puma Vandal Proof Range of USBs

- Suitable for USB Type A and Type C applications up to 3 Amp at 5V.
- Ideal for phones that utilise USB Type C connections.
- Not suitable for lap tops or other devices requiring greater output than 3 Amp at 5V.
- USB outlet approved to AS/NZS 60950.1
- Electrical power point approved to AS/NZS 3112
- The overall electronic assembly rating is 3.4A at 5V; it then divides the output when devices are inserted in each USB socket.
- Shuttered USB sockets.
- Single Pole, 10A 250V~ Electrical Switched sockets.
- Shuttered Electrical Switched sockets.
- Fits standard wall boxes and mounting accessories.
- Full cover plate.
- Covers, plates and dollies are made from UV stabilised polycarbonate to avoid discolouring to yellow.
- Shutter operates from either earth or neutral
- Available in White and Black. Please check availability.



Catalogue Number	Description
PUPPUSB2GACVP	Power Point, Fully Integrated Dual USB Charger Single Pole (Type A & C) Shuttered
PUPPUSB2GACVPBK	Power Point, Fully Integrated Dual USB Charger Single Pole (Type A & C) Shuttered, Black

Certification Number:
GMA-508273-EA

GSM Electrical (Australia) Pty Ltd
Level 2, 142-144 Fullarton Road, Rose Park SA 5067
P: 1300 301 838 F: 1300 301 778 E: service@g sme.com.au
www.g sme.com.au



Vertical Switches

- PUSWV1GVP
- PUSWV2GVP
- PUSWV3GVP
- PUSWV4GVP
- PUSWV5GVP
- PUSWV6GVP

Horizontal Switches

- PUSW1GVP
- PUSW2GVP
- PUSW3GVP
- PUSW4GVP
- PUSW5GVP
- PUSW6GVP

Switch Plates (Less Mechs)

- PUSWPV1GVP
- PUSWPV2GVP
- PUSWPV3GVP
- PUSWPV4GVP
- PUSWPV5GVP
- PUSWPV6GVP
- PUSWPVXGVP

*See current catalogue for further detail

Cleaning Guide:

Spraying cleaning products directly on to electrical switches or power points (sockets) is not recommended.

It is important to ensure that switches are turned off before cleaning.

Do not use any cleaning sprays - only wipe down with damp cloth or rub with dry cloth. Do not use an abrasive cloth as it may scratch the plastic.

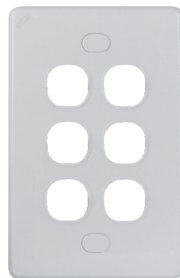
Do not use harsh chemical cleaners as these can break down the plastic and cause it to crack.

Do not wash the cover plates in water over 60°C.



Puma Vandal Proof Range of Switch Plates

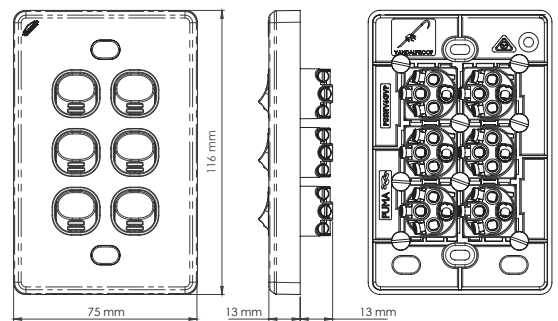
- Switches approved to AS/NZS3133.
- Switches are rated 10AX/16A 250V~ and approved to AS/NZS3133.
- Mech back-up security screws on rear of installed mechs.
- Less Mech plates require security screws (HYSCREWS) to be supplied separately
- Oval screw caps for extra adjustment on wall (no removable cover).
- Fits standard Australian wall boxes and mounting accessories that use 84mm mounting centres.
- Uses brass tunnel terminals that have the screws backed out for easier installation of cabling. Switches are two way with looping terminal and suit 4 x 1.5mm² cabling with 4.1 bore
- Slotted head screws for the terminals.
- Plates and dollies are made from UV stabilised polycarbonate to avoid discolouring to yellow.
- PUSW1GVP to PUSW3GVP Impact rating IK08 to IEC62262:2002.
- PUSW4GVP to PUSW6GVP Impact rating IK07 to IEC62262:2002
- Standard colour is white.
- Plates suit Trader Meerkat MESW mechs, including TV and Data; and Clipsal 30 Style* mechs and accessories.
- Typical example of size seen below:



Example of cover plate only / grid and plate only (less mech)



Example of cover plate with MERJ6CM data mech installed



Catalogue No.	Description
PUSWV1GVP	Switch Vertical 1 Gang 10AX/16A 250V VANDAL PROOF
PUSWV2GVP	Switch Vertical 2 Gang 10AX/16A 250V VANDAL PROOF
PUSWV3GVP	Switch Vertical 3 Gang 10AX/16A 250V VANDAL PROOF
PUSWV4GVP	Switch Vertical 4 Gang 10AX/16A 250V VANDAL PROOF
PUSWV5GVP	Switch Vertical 5 Gang 10AX/16A 250V VANDAL PROOF
PUSWV6GVP	Switch Vertical 6 Gang 10AX/16A 250V VANDAL PROOF
PUSW1GVP	Switch Horizontal 1 Gang 10AX/16A 250V VANDAL PROOF
PUSW2GVP	Switch Horizontal 2 Gang 10AX/16A 250V VANDAL PROOF
PUSW3GVP	Switch Horizontal 3 Gang 10AX/16A 250V VANDAL PROOF
PUSW4GVP	Switch Horizontal 4 Gang 10AX/16A 250V VANDAL PROOF
PUSW5GVP	Switch Horizontal 5 Gang 10AX/16A 250V VANDAL PROOF
PUSW6GVP	Switch Horizontal 6 Gang 10AX/16A 250V VANDAL PROOF
PUSWPVXGVP	Blank Plate, VANDAL PROOF

Catalogue No.	Description
PUSWPV1GVP	Switch Plate Vertical 1 Gang (Less Mech) VANDAL PROOF
PUSWPV2GVP	Switch Plate Vertical 1 Gang (Less Mech) VANDAL PROOF
PUSWPV3GVP	Switch Plate Vertical 2 Gang (Less Mech) VANDAL PROOF
PUSWPV4GVP	Switch Plate Vertical 3 Gang (Less Mech) VANDAL PROOF
PUSWPV5GVP	Switch Plate Vertical 4 Gang (Less Mech) VANDAL PROOF
PUSWPV6GVP	Switch Plate Vertical 5 Gang (Less Mech) VANDAL PROOF

The above catalogue numbers where "P" appears in number, refers to Cover Plate Only / Grid and Plate only (less mech)

* The Clipsal brand and associated products are Trademarks of Schneider Electric (Australia) Pty Ltd.

GSM Electrical (Australia) Pty Ltd, the TRADER brand and it's products, have no endorsement or affiliation with Schneider Electric Pty Ltd.

Certification Number: GMA-508434-EA

GSM Electrical (Australia) Pty Ltd

Level 2, 142-144 Fullarton Road, Rose Park SA 5067

P: 1300 301 838 F: 1300 301 778 E: service@gsm.com.au

www.gsm.com.au



PUSWVA1GVP
PUSWVA2GVP

*See current catalogue for further detail

Cleaning Guide:

Spraying cleaning products directly on to electrical switches or power points (sockets) is not recommended.

It is important to ensure that switches are turned off before cleaning.

Do not use any cleaning sprays - only wipe down with damp cloth or rub with dry cloth. Do not use an abrasive cloth as it may scratch the plastic.

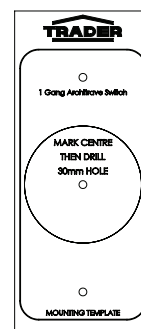
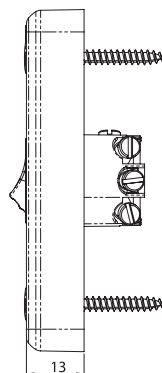
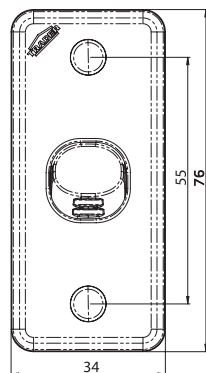
Do not use harsh chemical cleaners as these can break down the plastic and cause it to crack.

Do not wash the cover plates in water over 60°C.

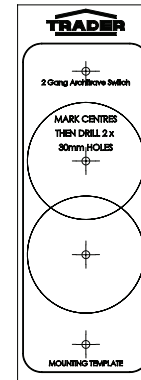
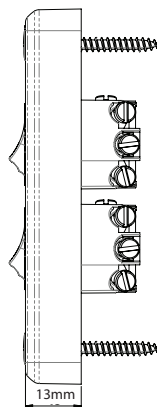
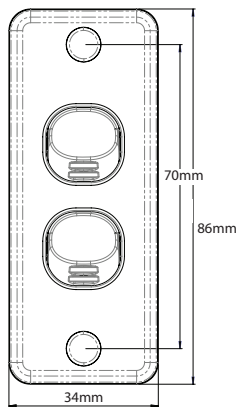


Puma Vandal Proof Range of Architrave Switches

- Switches are rated 16AX/20A 250V~ and approved to AS/NZS60669-1
- Uses brass tunnel terminals that have the screws backed out for easier installation of cabling. Switches are two way with looping terminal and suit 4 x 1.5mm² cabling with 4.1mm bore
- Slotted head screws for the terminals
- Covers, plates and dollies are made from UV stabilised polycarbonate to avoid discolouring to yellow
- Standard colour is white.
- Typical example of size seen below:



example of cutting template
PUSWVA1GVP



example of cutting template
PUSWVA2GVP

Catalogue Number	Description
PUSWVA1GVP	Switch Vertical Architrave 1 Gang, 16AX/20A 250V~ VANDAL PROOF
PUSWVA2GVP	Switch Vertical Architrave 2 Gang, 16AX/20A 250V~ VANDAL PROOF

MEERKAT 

MEERKAT Switch Mechanisms are used for all switch plates. Please refer to Meerkat Mech Matrix for range compatibility.

Certification Number: GMA-508434-EA

GSM Electrical (Australia) Pty Ltd

Level 2, 142-144 Fullarton Road, Rose Park SA 5067

P: 1300 301 838 F: 1300 301 778 E: service@gsme.com.au

www.gsme.com.au



PUPANG2GVP

Switch Plates (Less Mechs)

*See current catalogue for further detail

Cleaning Guide:

Spraying cleaning products directly on to electrical switches or power points (sockets) is not recommended.

It is important to ensure that switches are turned off before cleaning.

Do not use any cleaning sprays - only wipe down with damp cloth or rub with dry cloth. Do not use an abrasive cloth as it may scratch the plastic.

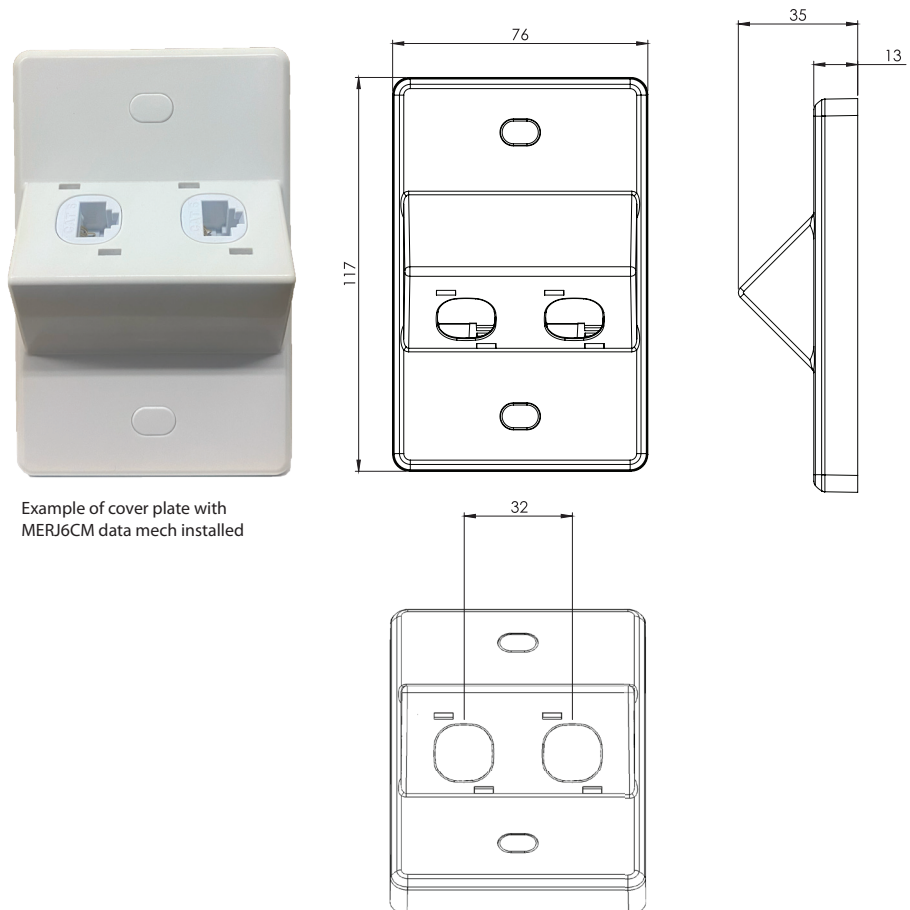
Do not use harsh chemical cleaners as these can break down the plastic and cause it to crack.

Do not wash the cover plates in water over 60°C.



Puma Vandal Proof 2 Gang Plate with Angled Entries for Data Mechs

- Ideal for restricted cabling space applications (data, phone, HDMI, TV etc.)
- Back-up security screws for switch mechs
- Oval screw caps for extra adjustment on wall.
- Fits standard Australian wall boxes and mounting accessories with 84mm mounting centres.
- Plates suit Trader Meerkat MESW mechs, including TV and Data; and Clipsal 30 Style* mechs and accessories.
- Sold as blank plates.
- Standard colour is white.
- Typical example of size seen below:



Example of cover plate with MERJ6CM data mech installed

Catalogue Number	Description
PUPANG2GVP	Plate Only Horizontal 2 Gang Angled Entries from Side for Data Mechs Vandal Proof

*The Clipsal brand and associated products are Trademarks of Schneider Electric (Australia) Pty Ltd.

GSM Electrical (Australia) Pty Ltd, the TRADER brand and it's products, have no endorsement or affiliation with Schneider Electric Pty Ltd.

Certification Number: GMA-508434-EA

GSM Electrical (Australia) Pty Ltd

Level 2, 142-144 Fullarton Road, Rose Park SA 5067

P: 1300 301 838 F: 1300 301 778 E: service@gsme.com.au

www.gsme.com.au



Data Specification Sheet
April 2023