

QCX2 Series Magnetic Starter

1. Application

QCX2 series magnetic starter is mainly applied to circuit of AC 50 or 60Hz, voltage up to 550V for far distance making and breaking circuit and frequently starting and controlling motor. It has the features of small volume, light weight, low power consumption, high efficiency, safe and reliable performance. It complies to IEC947-4-1.



QCX2-09,12,18



QCX2-25,32

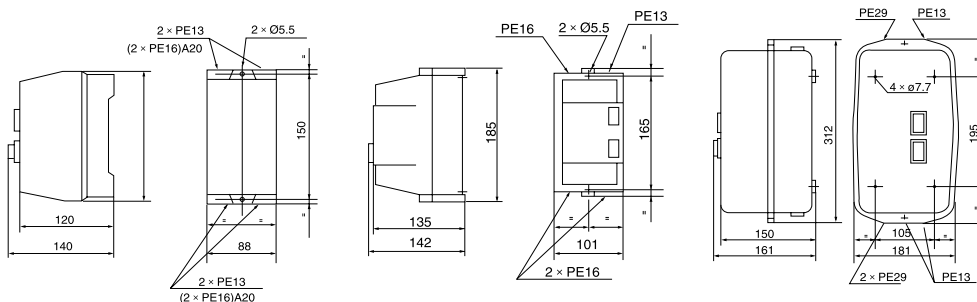


QCX2-40~95

2. Specification

Type	Rated current (A)	Maximum power AC3 duty (kW)						Suitable thermal relay (A)
		220/230V	380/400V	415V	440V	500V	660/690V	
QCX2-9	9	2.2	4	4	4	5.5	5.5	JR28 D1312 JR28 D1314
QCX2-12	12	3	5.5	5.5	5.5	7.5	7.5	JR28 D1316
QCX2-18	18	4	7.5	9	9	10	10	JR28 D1321
QCX2-25	25	5.5	11	11	11	15	15	JR28 D1322 JR28 D2353
QCX2-32	32	7.5	15	15	15	18.5	18.5	JR28 D2355
QCX2-40	40	11	18.5	22	22	22	30	JR28 D3353 JR28 D3355
QCX2-50	50	15	22	25	30	30	33	JR28 D3357 JR28 D3359
QCX2-65	65	18.5	30	37	37	37	37	JR28 D3361
QCX2-80	80	22	37	45	45	55	45	JR28 D3363 JR28 D3365
QCX2-95	95	25	45	45	45	55	45	JR28 D3365

3. Dimension & Mounting Size



QCX2-09
QCX2-12
QCX2-18

QCX2-25
QCX2-32

QCX2-40
QCX2-95