

DOWNLIGHTS

TAYLOR LED DOWNLIGHTS

ROBUS®

TAYLOR 7W CCT selectable, dimmable LED downlights, c/w
White and Satin Silver trims, 3,000K, 4,000K, 6,500K

The new Robus TAYLOR dimmable LED downlight is the natural evolution of the IMPACT range allowing the installer to choose the Colour Temperature (CCT) depending on the installations lighting requirements. With selectable CCT's of warm, neutral or daylight white and opal diffuser, it provides a low glare, uniform and shadow free light



Applications:

- Domestic dining, living, bathroom and bedroom spaces
- Hotel & Office reception areas
- Shops and other retail premises
- Pubs, clubs and restaurants
- Complimentary lighting in meeting or function rooms

Construction:

PA66 Nylon coated Aluminium housing
Polycarbonate trim & Opal diffuser
Steel spring clips

Features:

- Complete downlight kit:
 - Complete with slim, white and satin silver trims
 - Pre-wired with 0.6m of flex and AU plugtop
- High efficiency Polycarbonate opal diffuser
- Plastic-coated die cast aluminium housing
- Solid state technology
- Utilises 44 high quality Nationstar SMD LED's:
 - High luminous flux
 - Low power consumption
 - High efficacy
 - Long life
- Beam angle of 100 degrees
- High Colour Rendering Index of 80
- Three position rear mounted Correlated Colour Temperature switch for 3,000K, 4,000K or 6,500K
- Integral dimmable driver
- Ingress Protection of IP44

Benefits:

- Everything is included in one box with nothing else required
 - Neat aesthetic with choice of trim colour to match décor
 - Fast & simple connection, no specialist electrical knowledge for final connection after wiring infrastructure is in place
- Reduces glare for greater eye comfort and best light transmission
- High conductance material for excellent thermal management contributes to long LED and driver component life
- Emits very little heat – reducing air conditioning costs
- "Instant on" to ensure immediate visibility
- Rugged with no filament to prematurely fail due to knocks, building vibration or extreme temperature changes
- Compatible with sensor switching without compromise to LED life
- Greater light output than mains halogen - reduced number of fittings
- Ideal retro-fit to provide more light
- Makes energy savings of over 85% compared to halogen
- Provides up to 93 lumens for every watt used, so very efficient
- No maintenance or annoying dark areas where lamps have failed
- Wide light beam provides uniform shadow free light
- Accurate colour reproduction – ideal for retail or pastel shade décors
- CCT is subjective but can be set for warm ambient lighting, cooler light colour for task or work environments, or natural daylight white often used in areas accustomed to brighter natural light
- Light colour can be selected after installation to best effect and use of the lit space, and can be changed quickly and simply if décor or use of the space is altered in the future
- No separate driver to find location for
- Dimmable with C-Bus systems and many other Triac type dimmer switches (compatibility list available on website)
- Light can be set to a subtle low level, to full brightness for task or general lighting or anywhere in-between
- Great as a retrofit solution with existing dimmer switches
- The same fitting is suitable for installation in most areas of a property to provide a common aesthetic

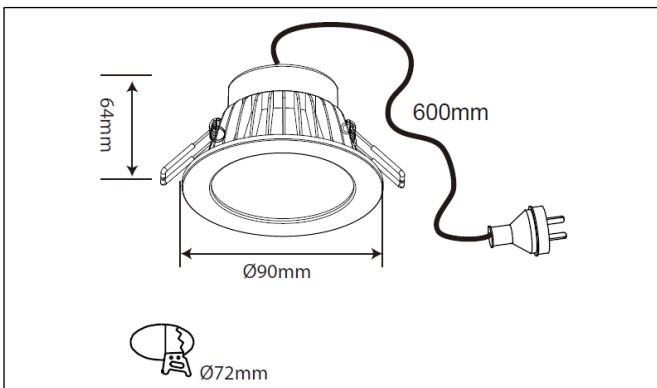
DOWNLIGHTS

TAYLOR LED DOWNLIGHTS

ROBUS®

TAYLOR 7W CCT selectable, dimmable LED downlights, c/w
White and Satin Silver trims, 3,000K, 4,000K, 6,500K

Product Code:	RC7WDL72CCT3-01
Comparable to Halogen (W):	50
Total Power (W):	7
Total Light Output (lm):	600/650/620
Efficacy (Llm / cctW):	86/93/89
Rated Life (hrs):	30,000
Warranty (yrs):	3
Illuminance at 1m (lx):	250/300/270
Beam Angle (deg):	100
CCT (K):	3,000/4,000/6,500
CRI (Ra):	80
Ingress Protection (IP):	44
Operating Temperature (°C):	-20 ≤ Ta ≤ +40
Operating Voltage (Vac):	220 - 240
Power Factor (PF):	0.9
Height (mm):	64
Diameter (mm):	90
Cut Out (mm):	72
Box Qty:	1
Weight (kg):	0.22



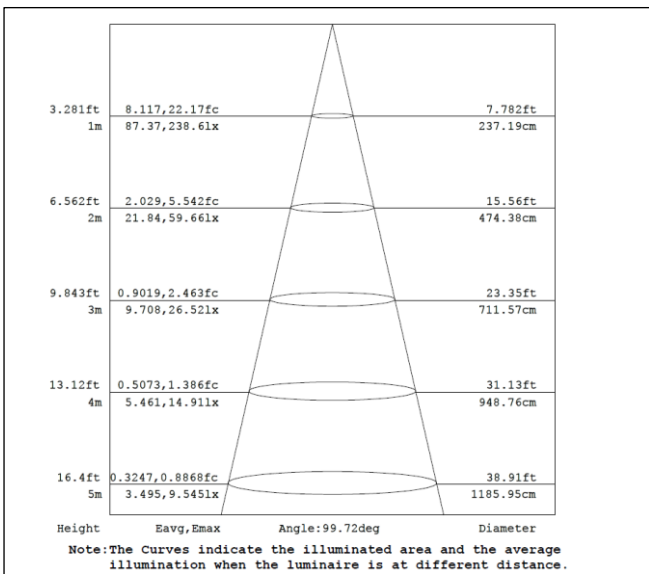
Accessories:

- RC7TRIM-13 Brushed Chrome trim
- RC7TRIM-04 Black trim

Standards & Approvals:

Complies with : SAA, RCM

Cone Illuminance Diagram:



Polar Intensity Diagram:

