

# ROBUS®

## LIGHTING CONTROLS

### SUNSYNC 16A SUNSET SWITCH PHOTOCELL

1000W, IP66



## PRODUCT INFORMATION DOCUMENT

### CONSTRUCTION

- Polycarbonate housing
- 4 2x1.5mm<sup>2</sup> screw terminals
- 25mm conduit entries on each side and back

### FEATURES

- Stand-alone photocell with maximum LED load rating of 1000W
- Standby power of 0.5W
- Adjustable time and lux settings
- Large terminals allowing loop-in/loop-out wiring with 1.5mm<sup>2</sup> cables
- Multiple cable entries
- UV-stabilised polycarbonate enclosure with IP66 rating
- Retrofittable with bases from most leading brands



WARRANTY



LIFETIME



IK RATING



IP RATING

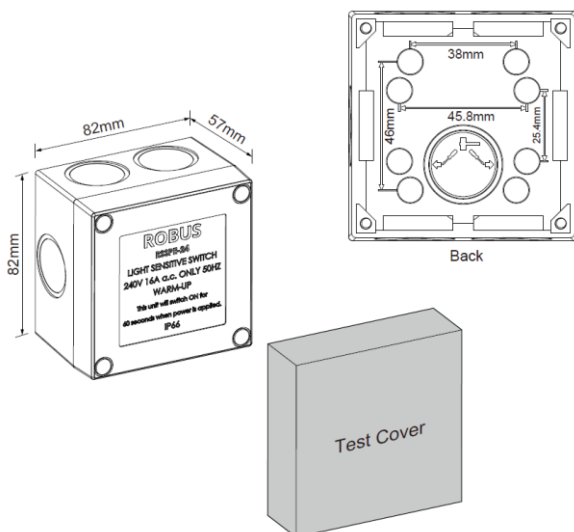


OPERATING VOLTAGE



SAFETY CLASS

Product Code:	RSSPE-24
Max Switching LED Load (W):	1000
Standby Power (W):	0.5
Lux Switching Levels (lx):	3, 10, 30, 100, 200, 300, 500
Time Delay (h):	1, 2, 3, 4, 5, 6, 7, 8, 9, Dusk to Dawn
IP:	66
Operation Temperature (°C):	-20+40
Inrush Current:	NA
Dimensions LxWxH (mm):	82x82x57
Weight (kg):	0.2



Product is certified to all the relevant standards.

Please contact our technical department for market specific compliances.

**PLEASE NOTE:** INFORMATION IN THIS DOCUMENT MAY BE SUBJECT TO CHANGE WITHOUT PRIOR NOTICE

IRE: TEL: +353 1 709 9000  
 UK: TEL: 0800 973 220  
 AUS: TEL: +61 7 3890 5444  
 NZ:

WEB: ROBUS.COM  
 WEB: ROBUS.COM  
 WEB: AU.ROBUS.COM  
 WEB: NZ.ROBUS.COM

LED GROUP [EUROPE](#) · [UK](#) · [AUSTRALIA](#) · [NEW ZEALAND](#) · [ASIA](#) · [MIDDLE EAST](#) · [AFRICA](#)