



TRADESTAR SE7169 - 70/250W

A versatile LED floodlight range with five models ranging from 70 - 250 watt

Application

Perfect for any exterior space from residential small wattage designs through to high performance commercial applications

Design Specifications

- Integral LED control gear, non-dimmable 70, 100, 150, 200, 250 watt models
- Robust die-cast aluminium body profile with multi-function angled trunnion bracket, colour black
- Pre-wired with 1500mm UV rated flex for easy installation
- IK08, IP65 rated, secure tempered glass visor.
- CRI > 80, CCT 5000K and an impressive > 120lm/W optical performance
- 100 degree wide beam distribution



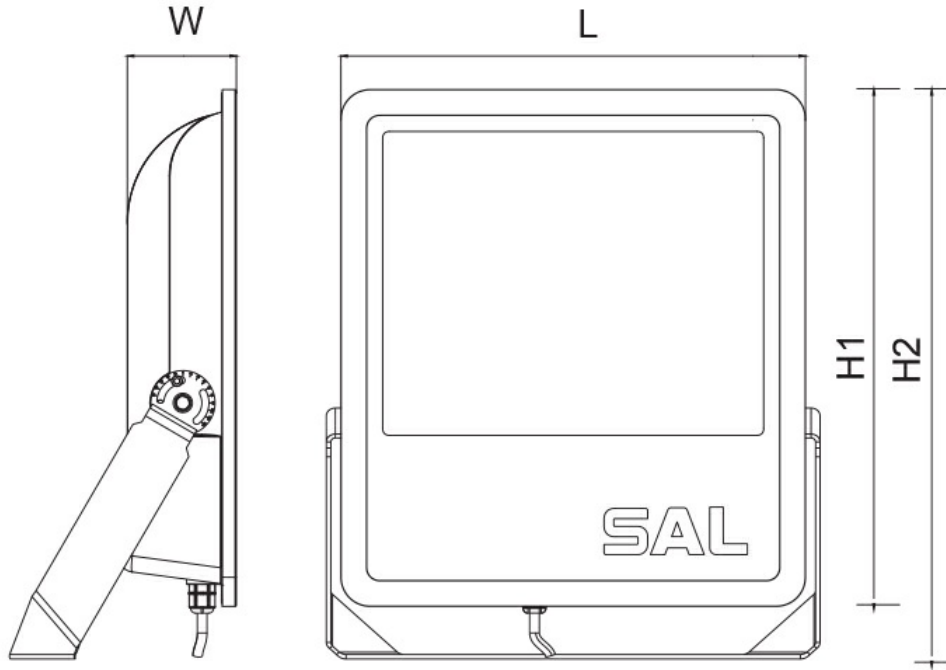
Technical Specification

Model No.	Description	Input Voltage (V/AC)	Power (W)	Lumens (lm)	CCT (K)	CRI
SE7169/70NDL/BK	LED FLOODLIGHT 70W IP65 5K BK	240	70	8400	5000	80
SE7169/100NDL/BK	LED FLOODLIGHT 100W IP65 5K BK	240	100	12000	5000	80
SE7169/150NDL/BK	LED FLOODLIGHT 150W IP65 5K BK	240	150	18000	5000	80
SE7169/200NDL/BK	LED FLOODLIGHT 200W IP65 5K BK	240	200	24000	5000	80
SE7169/250NDL/BK	LED FLOODLIGHT 250W IP65 5K BK	240	250	30000	5000	80

Model No.	Beam Angle (°)	Body Colour	Dimensions (mm)	Mass (kg)
SE7169/70NDL/BK	100	Black	210(L) x 54(W) x 220(H)	1.9
SE7169/100NDL/BK	100	Black	240(L) x 70(W) x 250(H)	2.9
SE7169/150NDL/BK	100	Black	270(L) x 76(W) x 300(H)	4.1
SE7169/200NDL/BK	100	Black	310(L) x 81(W) x 340(H)	5
SE7169/250NDL/BK	100	Black	360(L) x 92(W) x 400(H)	6.9

Due to continued product and technology enhancements, data sourced from sal.net.au shall not form part of any contract and or technical performance guarantee unless expressly confirmed in writing by SAL at the time of order. Products are sold in accordance with SAL Terms and Conditions of sale and all images shown are for illustration purposes only and may vary from the actual colour or finish. Unless specifically stated, all IP ratings nominated for Interior products are from "below the ceiling".

Dimensions

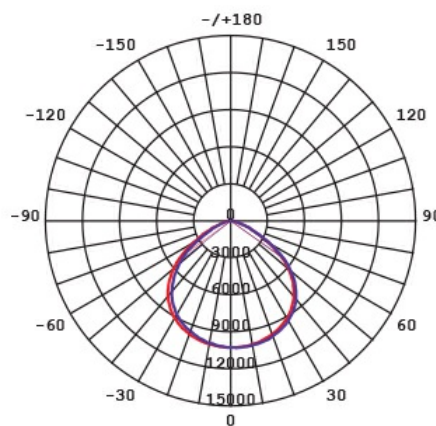
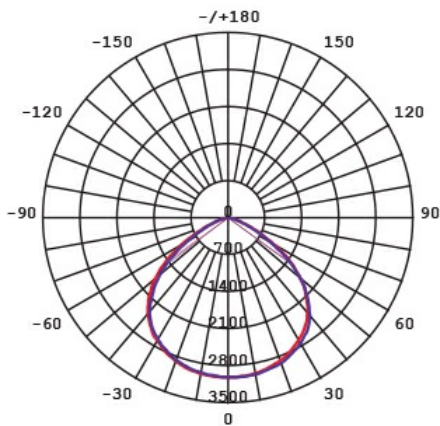


Photometric Data

Unit: cd C0/C180 _____ C90/C270 _____

SE7169/70NDL/BK at 5000K

SE7169/250NDL/BK at 5000K



Product Images

