

www.oriel-lighting.com.au

IBIZA Black

SKU:SG70420BK

Ibiza can be converted from upward facing to downward facing prior to installation. A high quality powder coated aluminium coach light (IP44) with UV stabilised, vandal resistant polycarbonate lens. Class II double insulated. Available in black or white.

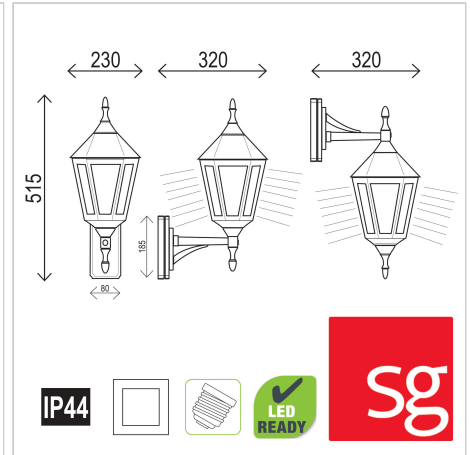
Additional information



Shipping Weight	2.1 kg
Shipping Carton Dimensions	23.0 × 25.0 × 29.0 cm
Brand	sg Lighting
Colour	BLACK
Globe Qty	1
Globe Type	E27
Max. Wattage	60W
Globe Included	NO
Recommended Globe	A-LED-21104227
Voltage	240V
Overall Height	51.5
Overall Width	32
Overall Depth	23
Fitting Height	51
Fitting Width	23
Fitting Projection	32
Primary Material	METAL
IP Rating	IP44
Classification	Class II Double Insulated

Supplier Code	SG70420BK
UPI	9324879212199
Electrician To Install	This fitting should be installed by a licenced electrician
Warranty / Guarantee	12 Month Replacement Guarantee

Images



Unless stated, fittings do not include globes (bulbs). No representations are made as to the suitability of this product for your application. All fixed lights (other than DIY lights) should be installed by a licensed electrical contractor. Due to continuing product development, some specifications may change over time. Refer to our detailed Terms and Conditions, online at: www.orient-lighting.com.au | Details and specifications are current at the time of printing, and with constant product development, subject to change.

(c) Oriel Lighting