

www.oriel-lighting.com.au

MARCONI WALL

SKU:SL63531CL

The Marconi Wall Scone is the ideal match for our Marconi Pendant range. The simple styling of the black metal wall bracket contrasts well with the decorative clear glass shade. The opening in the bottom of the shade allows for easy bulb access.

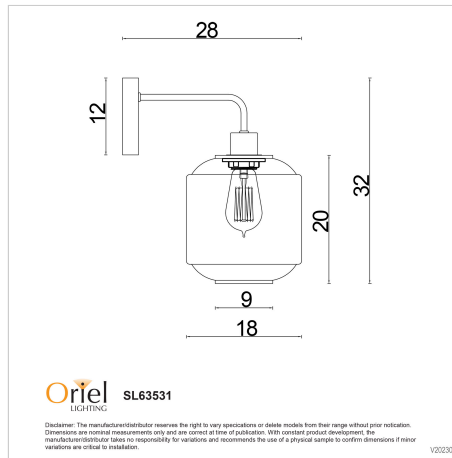
Additional information



Brand	Stylux Lighting
Colour	BLACK
Bulb Qty	1
Bulb Type	E27
Max. Wattage	25w
Bulb Included	NO
Recommended Globe	A-LED-26104227
Voltage	240V
Indoor / Outdoor / Alfresco	Indoor
Overall Height	32
Overall Width	18
Overall Depth	28
Fitting Height	32
Fitting Width	18
Fitting Backplate	12
Fitting Projection	28
Fitting Other Dimension	Open 9
Glass/Diffuser Material	Clear Glass

Primary Material	METAL
IP Rating	IP20
PLU	76453
Supplier Code	SL63531CL
UPI	9324879223546
In The Box	1 x Wall Light 1 x Glass
Electrician To Install	This fitting should be installed by a licenced electrician
Warranty / Guarantee	12 Month Replacement Guarantee

Images



Unless stated, fittings do not include globes (bulbs). No representations are made as to the suitability of this product for your application. All fixed lights (other than DIY lights) should be installed by a licensed electrical contractor. Due to continuing product development, some specifications may change over time. Refer to our detailed Terms and Conditions, online at: www.oriel-lighting.com.au | Details and specifications are current at the time of printing, and with constant product development, subject to change.

(c) Oriel Lighting