



product specification

www.oriel-lighting.com.au

NEWTON WALL LIGHT

SKU:SL64451BK

NEWTON wall light is the ideal match for our Newton pendant, allowing you to complete the look in all rooms. A simple yet effective source of light, NEWTON is finished in matt black or satin brass, with a clear spherical glass.

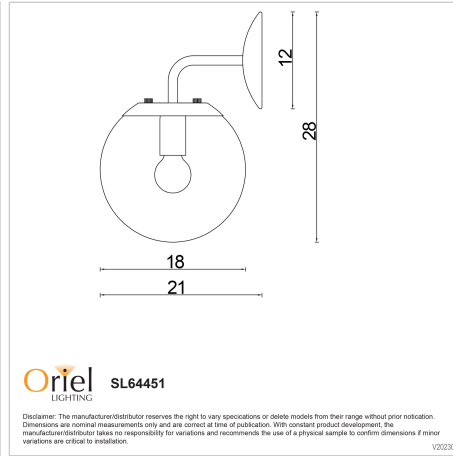
Additional information



Brand	Stylux Lighting
Colour	BLACK
Bulb Qty	1
Bulb Type	E14
Wattage	40W
Bulb Included	NO
Recommended Globe	A-LED-25104427
Voltage	240V
Overall Height	28
Overall Width	18
Overall Depth	21
Fitting Height	28
Fitting Backplate	12
Fitting Diameter	18
Fitting Projection	21
Glass/Diffuser Material	Clear
Primary Material	METAL
Supplier Code	SL64451BK

UPI	9324879216128
Electrician To Install	This fitting should be installed by a licenced electrician
Warranty / Guarantee	1 Year Replacement Guarantee
Other Information	Newton Wall Light is Double Insulated

Images



Unless stated, fittings do not include globes (bulbs). No representations are made as to the suitability of this product for your application. All fixed lights (other than DIY lights) should be installed by a licensed electrical contractor. Due to continuing product development, some specifications may change over time. Refer to our detailed Terms and Conditions, online at: www.oriel-lighting.com.au | Details and specifications are current at the time of printing, and with constant product development, subject to change.

(c) Oriel Lighting



quality lighting at affordable prices | specifications subject to change without notice - check the website for the latest information | www.oriel-lighting.com.au