



SNSWDPOV45WW SNSWDPOV45WWH

Also available in:

**Black cover, Black grid
White cover, Silver grid
Black cover, Silver grid**

**See order code details
in notes below table**

Cleaning Guide:

Spraying cleaning products directly on to electrical switches or power points (sockets) is not recommended.

It is important to ensure that switches are turned off before cleaning.

Do not use any cleaning sprays - only wipe down with damp cloth or rub with dry cloth. Do not use an abrasive cloth as it may scratch the plastic.

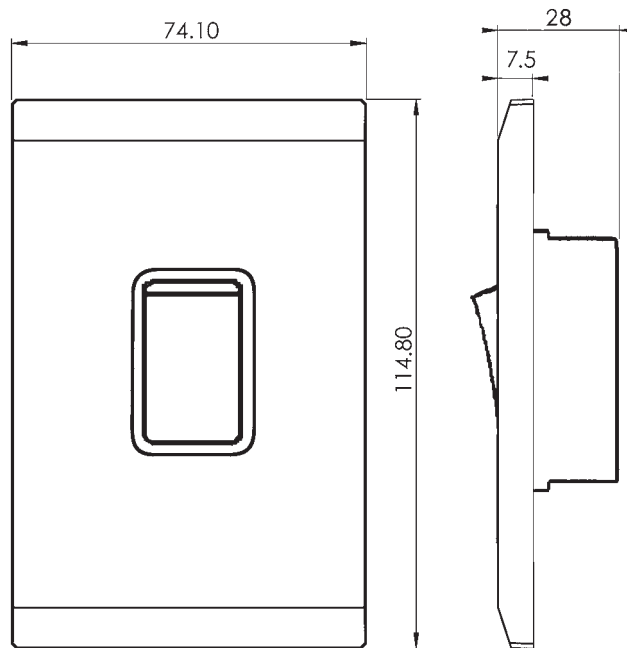
Do not use harsh chemical cleaners as these can break down the plastic and cause it to crack.

Do not wash the cover plates in water over 60°C.



Snow Leopard Oven Switches

- Switch approved to AS/NZS60669.1:2013
- 45A 250V~, Double Pole
- Includes looping terminals
- Terminal bore 5.8mm diameter
- Cover, plate and dolly is made from UV stabilised polycarbonate to avoid discolouring to yellow
- Standard colour is White. Available in Black, White/Silver and Black/Silver - Please check availability.



Catalogue Number	Description
SNSWDPOV45WW	Switch Oven 45A 250V~ Double Pole White Cover, White Grid
SNSWDPOV45WWH	Switch Oven 45A 250V~ Double Pole White Cover, White Grid Horizontal

ORDERING NOTES:

When ordering **BLACK/BLACK** product replace "WW" with "BB" at end of catalogue number, ie SNPP2GBB

When ordering **BLACK/SILVER** product replace "WW" with "BS" at end of catalogue number, ie SNPP2GBS

When ordering **WHITE/SILVER** product replace "WW" with "WS" at end of catalogue number, ie SNPP2GWS

Certification Number:

GMA-502679

GSM Electrical (Australia) Pty Ltd

Level 2, 142-144 Fullarton Road, Rose Park SA 5067

P: 1300 301 838 F: 1300 301 778 E: service@gsm.com.au

www.gsm.com.au

