



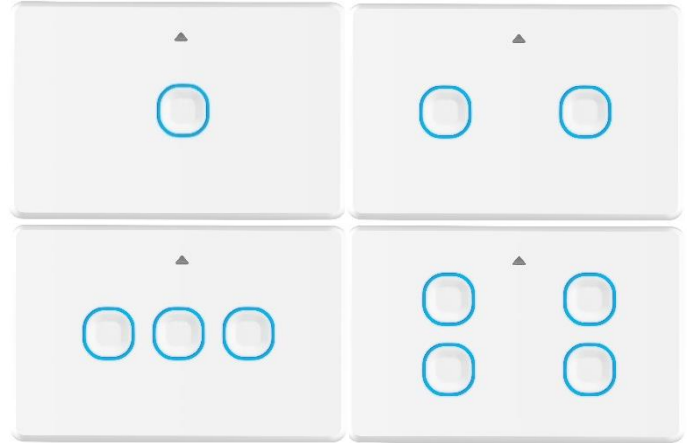
Switches (Wi-Fi)

SSW01G-WIFI / SSW02G-WIFI / SSW03G-WIFI / SSW04G-WIFI

This product must be installed by a licensed electrician

Features

- Wi-Fi (No hub required)
- Touch capacitive switches
- Blue backlight to indicate switch status
- Retrofit to standard mounting brackets
- White, UV resistant material
- Combination head screws
- On/off control via the app (both individual & master)
- Customizable timers & schedules via the app
- Works with both Amazon Alexa and Google Assistant
- 3 year in-home warranty



Network/Device Requirements

Connectivity	Wi-Fi
Requirements	Existing 2.4GHz Wi-Fi network
Protocol	IEEE 802.11 b/g/n
Wireless Frequency	2.4GHz
App Requirements	Mobile device running iOS or Android. (Refer to ikuu.com.au for minimum specs)

Included Accessories

Faceplate, Cut-out template, Mounting screws

Technical Specifications

	SSW01G-WIFI	SSW02G-WIFI	SSW03G-WIFI	SSW04G-WIFI
Switches	1	2	3	4
Neutral Required	Yes			
Supply Voltage	230 - 250V a.c. 50Hz			
Standby Wattage	<1W			
Operating Load (all channels combined)	Resistive: 2500W (max) Incandescent: 2500W (max) LED: 250W (max)			
Switched Poles	Active			
IP Rating	IP20 (indoor use only)			
Terminal Size	6mm ² (can fit up to 3 x 2.5mm ² wires per terminal)			
Colour	White			
Rear Colour	Yellow			
Housing Material	Polycarbonate			
Contact Material	Brass			
Weight	135g	140g	145g	150g
Dimensions	115mm x 74mm x 44mm			
Cut-out Dimensions	80mm x 50mm			
Mounting Centres	84mm			
Compliance / Standards	AS/NZS 4268, AS/NZS 60669.1, AS/NZS 60669.2.1, CISPR 15, CISPR 32			



*Download the app using the QR code or visit the iOS or Google Play store.

www.ikuu.com.au

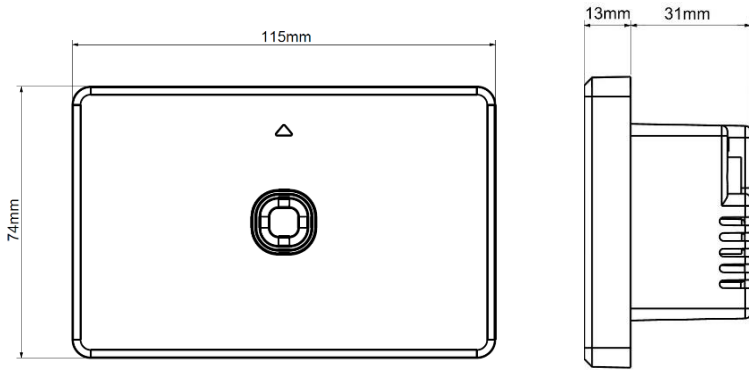




SSW01G-WIFI / SSW02G-WIFI / SSW03G-WIFI / SSW04G-WIFI

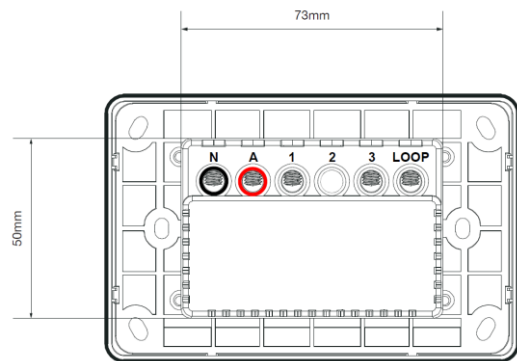
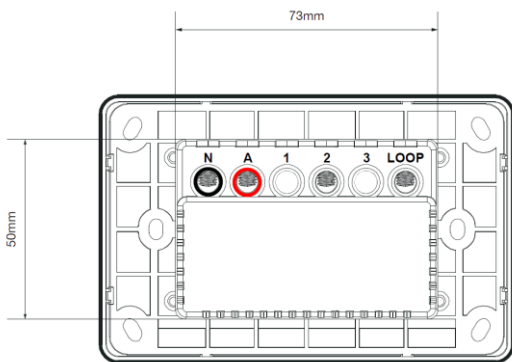
This product must be installed by a licensed electrician

Dimensions



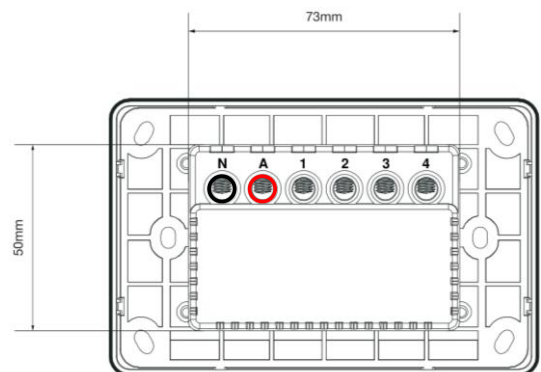
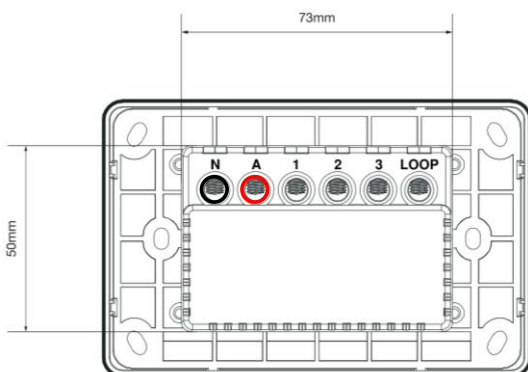
SSW01G-WIFI

SSW02G-WIFI



SSW03G-WIFI

SSW04G-WIFI



This product is valid for 3 years in-home warranty from the date of purchase. Please retain proof of purchase and certificate of compliance from the installation to make a claim. Please visit <https://www.mercator.com.au/product-support/warranty> for more information. For Mercator Ikuü contractor or end consumer support please visit www.ikuu.com.au or contact our customer service team on 1300 552 255 or via email at customercare@mercator.com.au



*Download the app using the QR code or visit the iOS or Google Play store.

www.ikuu.com.au

