

Time and light control
Analogue time switches

Description

- Analogue time switch
- 1 channel
- Daily program
- With power reserve
- 96 switching segments
- Quartz controlled
- Shortest switching time: 15 minutes
- Screw terminals
- Manual switch with 3 positions: Permanent ON/AUTO/continuous OFF



Technical data

| SUL 180 a | |
|---|---------------------------------|
| Operating voltage | 230 – 240 V AC |
| Frequency | 50 – 60 Hz |
| Number of channels | 1 |
| Width | 1 modules |
| Installation type | DIN rail |
| Type of connection | Screw terminals |
| Drive | Quartz-controlled stepper motor |
| Program | Daily program |
| Power reserve | 3 days |
| Switching capacity at 250 V AC, cos φ = 1 | 16 A |

| SUL 180 a | |
|---|-----------------------------|
| Switching capacity at 250 V AC, cos φ = 0,6 | 4 A |
| Incandescent/halogen lamp load | 1000 W |
| Energy saving lamps | 150 W |
| LED lamp < 2 W | 30 W |
| LED lamp 2-8 W | 300 W |
| LED lamp > 8 W | 300 W |
| Shortest switching times | 15 min |
| Programmable every | 15 min |
| Time accuracy at 25 °C | $\leq \pm 1$ s/day (quartz) |
| Type of contact | NO contact |

Subject to technical changes and misprints

additional information at: www.theben.de/product/1800001

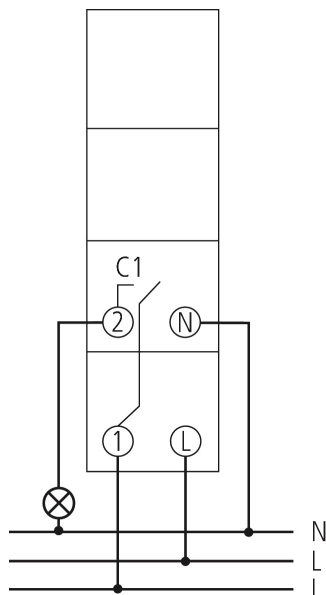
The load data are determined with exemplary selected illuminants and are therefore typical data due to the large number of available products.

Technical data

| SUL 180 a | |
|------------------------------|--------------------------------------|
| Switching output | Potential-free and phase-independent |
| Number of switching segments | 96 |
| Stand-by consumption | ~0.5 W |
| Capacity loss max. | 0.7 W |
| Test approval | VDE |

| SUL 180 a | |
|---------------------------------|--|
| Housing and insulation material | High-temperature resistant, self-extinguishing thermoplastic |
| Type of protection | IP 20 |
| Protection class | II according to EN 60 730-1 |
| Ambient temperature | -10°C ... 50°C |

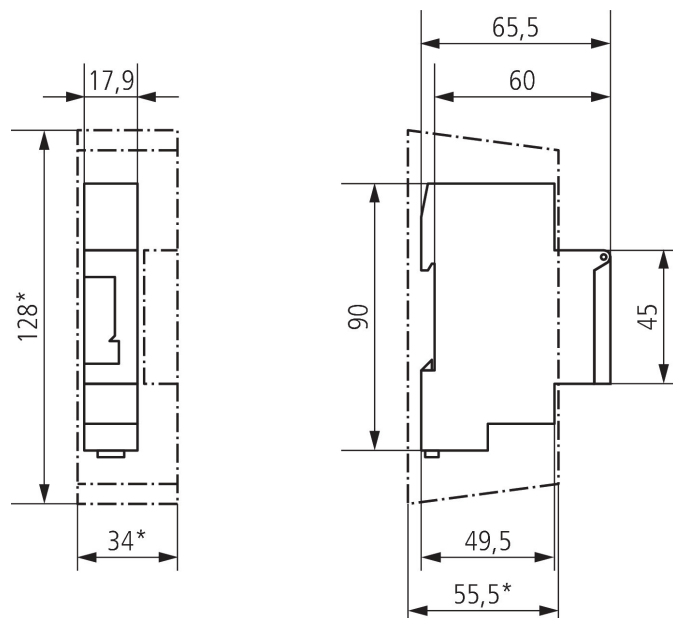
Connection example



SUL 180 a

Item no.: 1800001

Scale drawings



Accessories

Wall mounting kit 17,5 mm
Item no.: 9070065



Front panel kit
Item no.: 9070001

