

LED Downlight

TPDL1C3 Series

TECHNICAL BROCHURE



Simple Fusion Technology

An Integral driver, Tri-Temperature selection switch and cutting-edge technology combine into a simple and easy to install LED Downlight.

Application

The TPDL1C3 LED Downlight is suitable for multiple illumination applications from residential to commercial buildings. The slightly recessed frosted diffuser ensures reduced glare and soft glow output. The integrated colour temperature selector switch enables the choice of 3000K, 4000K and 6000K outputs to ensure the perfect illumination for a wide variety of installations.

Features / Benefits

- Tri-Temperature colour switch provides multiple colour outputs to be selected on installation (Default 3000K)
- White Trim colour with Brushed Chrome and Black options (sold separately)
- IC-4 rating allows the fitting to be abutted and covered by building material
- Dimmable with Clipsal LED dimming technology products

Ordering Matrix

Catalogue Number	Description
TPDL1C3	LED Downlight, >700 lm, 3K/4K/6K, IP44, White Trim
TPDL1C3B6	LED Downlight, >700 lm, 3K/4K/6K, IP44, White Trim (6 Pack)
TPDL1T3BC	LED Downlight Trim – Brushed Chrome
TPDL1T3BK	LED Downlight Trim - Black



AS/NZS60598.2.2
AS/NZS61347.1
AS/NZS61347.2.13
CISPR15



Life Is On

CLIPSAL
by Schneider Electric

LED Downlight

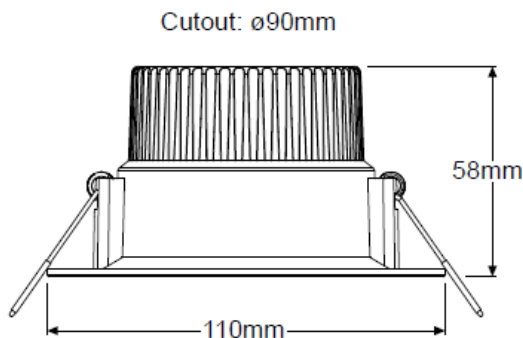
TPDL1C3 Series



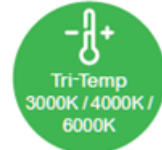
TPDL1C3

Specifications			
Voltage rating	230 Vac, 50 Hz		
Total System Power	7 W		
Dimmable	Yes		
Colour Temperature	3000 K	4000 K	6000 K
Lumens	>700	>730	>750
CRI	> 80		
IP Rating	IP44 (from front)		
Beam Angle	90 degrees		
Lifespan (L70)	50,000 hrs		
Power Factor	0.9		
Operating Temperature	- 10°C to +25°C		
Operating Humidity	+10% to +95% non-condensing		
Run Current @ 230V	0.028 A		
Inrush Current	2.14 A		
Inrush Current Duration	36 µs		
Earth Leakage Current	< 0.1 mA		

Construction	
Mounting Depth	58 mm
Trim Width	110 mm
Cut-out	90 mm
Weight	0.190 kg
Trim Material	Plastic



The integrated Tri-Temp colour selection switch allows for the preference of 3 different light temperatures during installation.



Default 3000K

Designed and tested to work with Clipsal 30/40/60 mech LED Dimmers to ensure smooth dimming performance and true compatibility



Product can connect with Clipsal Wiser system to form part of our smart/connected home solution



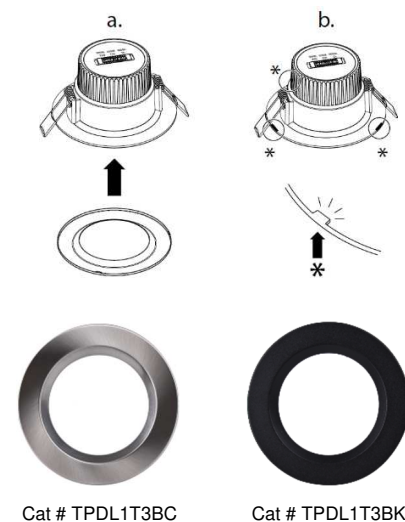
This unit has an IC-4 Abutted & Covered rating. A recessed product that has this rating can be abutted to building material and covered by insulation



ACCESSORIES

Trim Covers

Metal covers that clip over the existing white trim. Available in Brushed Chrome or Black. (Sold separately)



Schneider Electric (Australia) Pty Ltd
 2 Banfield Road, Macquarie Park, NSW, 2113
 National Customer Care: 1300 2025 25

Schneider Electric (NZ) Ltd
 Level 2, Building 6, 64 Highbrook Drive, Highbrook, Auckland, 2013
 National Customer Care: 0800 652 999

Schneider Electric reserves the right to change specifications, modify designs and discontinue items without incurring obligation and whilst every effort is made to ensure that descriptions, specifications and other information in this catalogue are correct, no warranty is given in respect thereof and the company shall not be liable for any error therein.

V1.0 25052023