

IP
Weatherproof solutions





Switch devices

Single switch



Double switch



Design fundamentals

Hager's range of weatherproof switches and power outlets are engineered to withstand the tough environmental conditions that Australian weather can demand. Internally designed for ease of installation and flexibility of use, the weatherproof range provides a long awaited fresh style and elegant aesthetic.

Socket outlets

Single socket 10A



Double socket 10A



Single socket 15A



Shallow mount
Double socket 10A





vector enclosures



Enduring protection in harsh environments

The outdoor vector range has been developed to maintain over a long period of time. The mechanical properties of the material used in their manufacture make it possible to install them in most locations. The enclosures have been designed to resist extreme weather, humidity, dust, chemical aggressions and ultraviolet radiation exposure.



Covered height adjustments protect the fixing screws and are adjustable in depth to correct the irregularities on a wall.



Adjustable DIN rails to fit products of different depth.



Compliance to REACH and ROHS environmental recommendations.



Rigorous testing includes: Glow wire test, temperature test at -25°C, IK impact test, dust proof, "Yellow card" ultraviolet radiation resistance, chemical resistance...



UV radiation resistance gives dimensional stability up to 100°C and frost resistance down to -25°C.



Dust proof and resistant to water jets, the vector enclosure range is IP65 rated.



Sensory detection

Hager innovation delivers precision IP55 Motion Detectors technically engineered for optimum performance and total control.

Available in 4 models (Basic 140° or 360°, Enhanced 220° or 220/360°) and 2 colours (white, & charcoal grey), they provide automatic control for residential and commercial applications.

Hager also provide devices that combine motion detection with LED lights. LED floodlights with PIRs are a perfect solution for carpark, small warehouses and similar applications. While LED lamps with PIRs deliver a decorative aesthetic solution for residential perimeters.





IP66 isolation

Australia has some of the harshest environmental elements in the world.

To counteract demanding operating conditions, Hager has a range of robust isolators with an IP66 protection rating in 2, 3 & 4 poles with various amperages.

Suitable for applications such as air conditioning, cool rooms, factories, signage and motors, these tough isolators offer switching in rugged Australian conditions.



Description

The surface mounted range of IP rated switches and sockets are designed for outdoor applications. Easy to install with two single screws fixing the top cover to the base.

Electrical Specification

Switch - 16A, 250V a.c
Single pole 2 way with loop
Socket - 10/15A, 250V a.c
Single pole

Mechanical specification

- IP66 for switches
- IP53 for sockets
- External material is UV stabilised polycarbonate



WBWS116

1 Gang switches

| Description | Box qty | Cat ref. |
|------------------------|---------|----------------|
| 16A IP66 1 Gang Switch | 1 | WBWS116 |



WBWS216

2 Gang switches

| Description | Box qty | Cat ref. |
|------------------------|---------|----------------|
| 16A IP66 2 Gang Switch | 1 | WBWS216 |



WBWP1S

10A Single sockets

| Description | Box qty | Cat ref. |
|-------------------------|---------|---------------|
| 10A, IP53 Single socket | 1 | WBWP1S |



WBWP115S

15A Single sockets

| Description | Box qty | Cat ref. |
|-------------------------|---------|-----------------|
| 15A, IP53 Single socket | 1 | WBWP115S |



WBWP2SH

10A Double sockets

| Description | Box qty | Cat ref. |
|-------------------------------------|---------|----------------|
| 10A, IP53 Twin socket | 1 | WBWP2S |
| 10A, IP53 Twin socket Shallow Mount | 1 | WBWP2SH |

Surface mounted enclosures
1 to 4 rows, 6 to 48 poles.
Adjustable DIN rail for shoulder measurement 47mm and 63mm.
Reversible transparent or opaque hinged door.
Two lateral knockouts for cable entry

Specification
Supplied with:
- links
- forked busbar
- circuit ID labels
Pole fillers - JP010.
Premarked knock outs for bushes or cable glands M20, M25, M32, M40 and M50;
Colour: RAL7035.
Sealable cover.



VE212H

Enclosures with Transparent Door

| Description | Width | Cat ref. |
|-------------|-------|---------------|
| 1 row | 4 + 2 | VE106H |
| | 8 + 2 | VE110H |
| | 12 | VE112H |
| | 18 | VE118H |
| 2 row | 24 | VE212H |
| | 36 | VE218H |
| 3 row | 36 | VE312H |
| 4 row | 48 | VE412H |



VE212HP

Enclosures with Opaque Door

| Description | Width | Cat ref. |
|-------------|-------|----------------|
| 2 row | 24 | VE212HP |
| | 36 | VE218HP |
| 3 row | 36 | VE312HP |

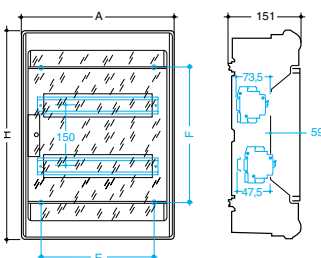


VZ011

Accessories

| Description | Cat ref. |
|---------------------------------|--------------|
| Wall fixing bracket kit | VZ011 |
| Key lock - supplied with 2 keys | VZ311 |
| Pole filler set - Grey - 5pk | JP010 |

Technical information



| References | Row | Enclosure sizes | |
|-----------------|--------|-----------------|-----|
| | | A | B |
| VE106H | 6 1 | 165 | 190 |
| VE110H | 10 1 | 237 | 210 |
| VE112H | 12 1 | 310 | 302 |
| VE118H | 18 1 | 418 | 302 |
| VE212H/P | 24 2 | 310 | 427 |
| VE218H/P | 36 2 | 418 | 452 |
| VE312H/P | 36 3 | 310 | 552 |
| VE318H | 54 3 | 418 | 602 |
| VE412H | 48 4 | 310 | 677 |

Motion detectors

These devices are made for automatic control of lighting in both the residential and private/public commercial sectors.

- Large range from 140° basic to 220/360°
- IP55 reinforced waterproofing
- Detection head with overmoulded fresnel lenses and PIR detectors

Features:

- 140/220/360° frontal detection zone
- Twin 220°/360° to detect in a frontal and downwards zone.
- Time, lux and sensitivity are achieved locally, via potentiometers.
- The enhanced range and LED lights can be set with an IR remote control which provides

speed and convenience when setting final adjustments.

- Detectors can be mounted in corners or to ceilings utilising the relevant mounting accessory.

Power supply:

- Basic detector
 - 230V AC + 10% / -15% (50/60Hz)
 - Output: 10A AC1 relay and cut phase
- Enhanced detector
 - 230V AC + 10% / -15%
 - Output: 16A AC1 relay potential free



EE820

Basic range

| Description | Cat ref. |
|---------------------|--------------|
| Detector 140° White | EE820 |
| Detector 360° White | EE840 |



EE860

Enhanced range

| Description | Cat ref. |
|--------------------------------------|--------------|
| Detector 220° White | EE860 |
| Detector 220° Charcoal Grey | EE861 |
| Detector Twin 220/360° White | EE870 |
| Detector Twin 220/360° Charcoal Grey | EE871 |



EE806

Accessories

| Description | Characteristics | Cat ref. |
|---|---|--------------|
| IR remote control compatible with EE86x / EE87x / EE6xx | Sets time, sensitivity, lux, detection angle used (for Twin model), lock/unlock, test and override ON/OFF | EE806 |
| Ceiling mount accessory | Suits 140° White | EE827 |
| Corner mount accessory | Suits 140° White | EE825 |
| | Suits 220°/360°/Twin White | EE855 |
| | Suits 220°/360°/Twin Charcoal Grey | EE856 |

Motion detector with LED lamp or floodlight

Description

LED lights with an infrared sensor to easily replace any existing lighting fixture, to ensure automatic operation of lighting from the approach of a person. Integrated detector

sensitive to infrared radiation for operation during the day and night or only at night.

Features

- Architectural design
- LED energy saving technology
- 140° or 220/360° detection up to 12m
- IP55

- Settings can be adjusted with the EE806 IR remote control



EE600

EE610

Motion detectors with LED lights

| Description | Characteristics | Cat ref. |
|---|---------------------------|--------------|
| Floodlight with Twin 220°/360° detector | 60W (eq. to 300W halogen) | EE600 |
| Decorative lamp with 140° detector | 15W | EE610 |

Description

The range of IP66 isolators are designed to be used in outdoor applications with IP66 degree of protection. They are rated at AC23A and offer options of 2, 3 and 4 poles with switched neutral. They are compact and easy to install with a 2 screw quick release top cover

Electrical Specification

- Tested and complies with IEC 60947-3
- Rated voltage: 250V~AC
440V~AC
- Rating AC23A is for switching of motor loads or other highly inductive loads

Mechanical Specification

- IP66 Protection
- External material is UV stabilised polycarbonate
- 25mm threaded conduit entry



JG240IN

2 pole

| Description | Box qty | Cat ref. |
|--------------------------|---------|----------------|
| 20A 2 pole IP66 Isolator | 1 | JG220IN |
| 32A 2 pole IP66 Isolator | 1 | JG232IN |
| 40A 2 pole IP66 Isolator | 1 | JG240IN |
| 63A 2 pole IP66 Isolator | 1 | JG263IN |



JG340IN

3 pole

| Description | Box qty | Cat ref. |
|--------------------------|---------|----------------|
| 20A 3 pole IP66 Isolator | 1 | JG320IN |
| 32A 3 pole IP66 Isolator | 1 | JG332IN |
| 40A 3 pole IP66 Isolator | 1 | JG340IN |

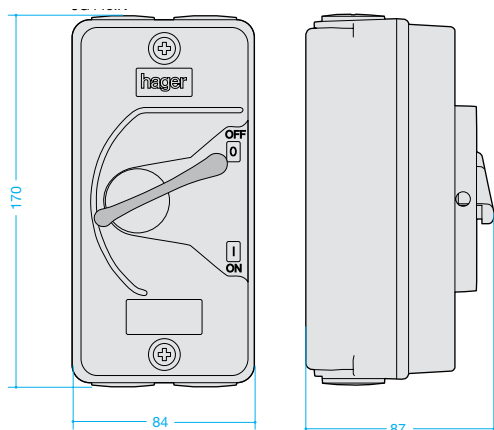


JG440IN

4 pole

| Description | Box qty | Cat ref. |
|--------------------------|---------|----------------|
| 20A 4 pole IP66 Isolator | 1 | JG420IN |
| 32A 4 pole IP66 Isolator | 1 | JG432IN |
| 40A 4 pole IP66 Isolator | 1 | JG440IN |
| 63A 4 pole IP66 Isolator | 1 | JG463IN |

Technical information



Hager Electro Pty Ltd
1/170 Power Street
Glendenning NSW 2761
www.hagerelectro.com.au

Nationwide sales
Ph 1300 850 253
Fx 1300 424 372
Email: customerservice@hagerelectro.com.au

State offices in:
New South Wales
South East Queensland
North Queensland
Victoria
South Australia
Western Australia

Distributors in:
Tasmania

