



CERES 3L LED TRACK LIGHT KIT

Model No. :	22128/05	22128/06
Colour :	White	Black

Congratulation on the purchase of your new Brilliant TRACK LIGHT kit. This fitting contains 1m track and 3 LED spotlight heads. You can add additional Spotlight Heads Model No 22127 (sold separately) and/or join more tracks. Before first using, it is most important that you read and follow these instructions, even if you feel you are quite familiar with this type of product. Keep this document for future reference.

THIS FITTING MUST BE INSTALLED BY A QUALIFIED ELECTRICIAN in accordance with AS/NZS 3000 and relevant amendments

FOR YOUR SAFETY

- To prevent electrical shock, please ensure that POWER is DISCONNECTED before installation.
- The track **MUST BE INSTALLED BY QUALIFIED ELECTRICIAN**. Spotlight Heads can be attached to the track or removed from the track by qualified personnel.
- During use the light head and/or light assembly may become hot.
- Do not install in a position where the fitting can be easily accessed by children or the infirm.
- Do not touch any parts of the assembly with bare hands while it is 'ON'.
- Be aware of the height of your installation. Refer to '**Working at Heights**' guide from your local or State Authorities.
- Any alterations or additions to building wiring **must be completed by a licensed electrician** or person authorised by legislation to work on the fixed wiring of any electrical installation.

22128/05 - White



22128/06- Black



SPECIFICATIONS

- 1m Track, 1 x live end, 1 x dead end, Straight Joiner and 3 x LED Spotlight heads
- 220-240V AC 50Hz 16A Max
- 10W LED Spotlight head 650lm Max per head
- CCT: 2700K WW, 4000K CW, 6300K DL
- Housing material: Die- Cast Aluminium, metal and plastic
- Spotlight Head material: Die-cast aluminium head and plastic spotlight base
- Protection: Class I
- Non Dimmable
- Weight: 1.5kg total
- Suitable for indoor use only



CERES 3L LED TRACK LIGHT KIT

Model No. :	22128/05	22128/06
Colour :	White	Black

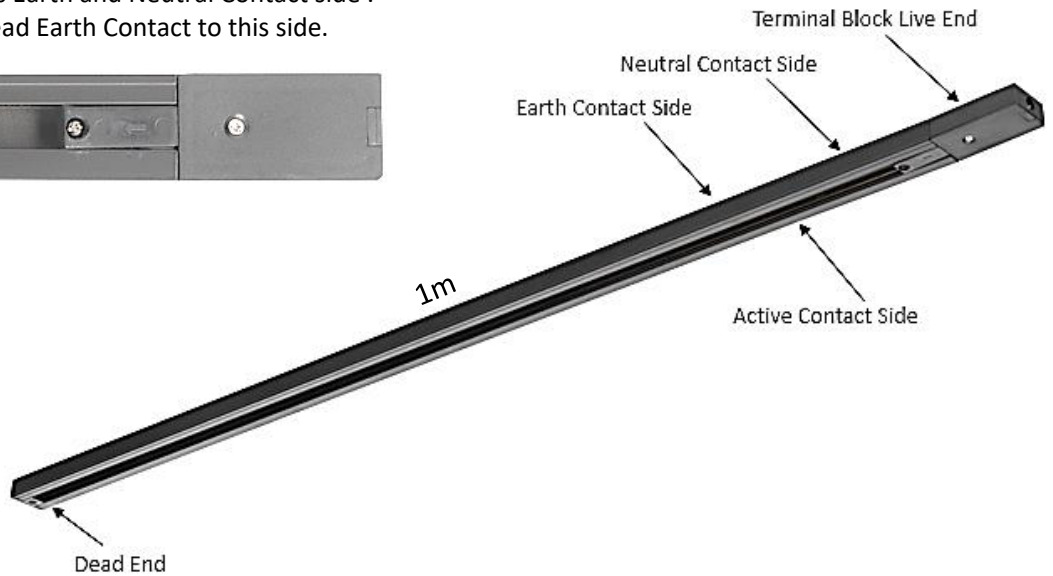
THIS FITTING MUST BE INSTALLED BY A QUALIFIED ELECTRICIAN in accordance with AS/NZS 3000 and relevant amendments

Contents:

- 1 x Track (1m fitting total length)
- 3 x LED Spotlight Heads (Additional Heads sold separately (22127/05- White 22127/06 Black))
- 1 x Straight Track Joiner 22128SP001/05
- 2 x mounting screws
- 2 x Rawl Plugs
- Instruction Manual

TRACK x 1

Groove – identifies Earth and Neutral Contact side .
Install Spotlight head Earth Contact to this side.

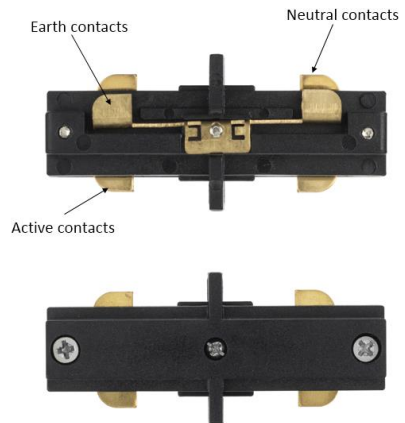


TRACK LIGHT x 3

22127/05-White 22127/06-Black



STRAIGHT TRACK JOINER x 1



Model No. :	22128/05	22128/06
Colour :	White	Black

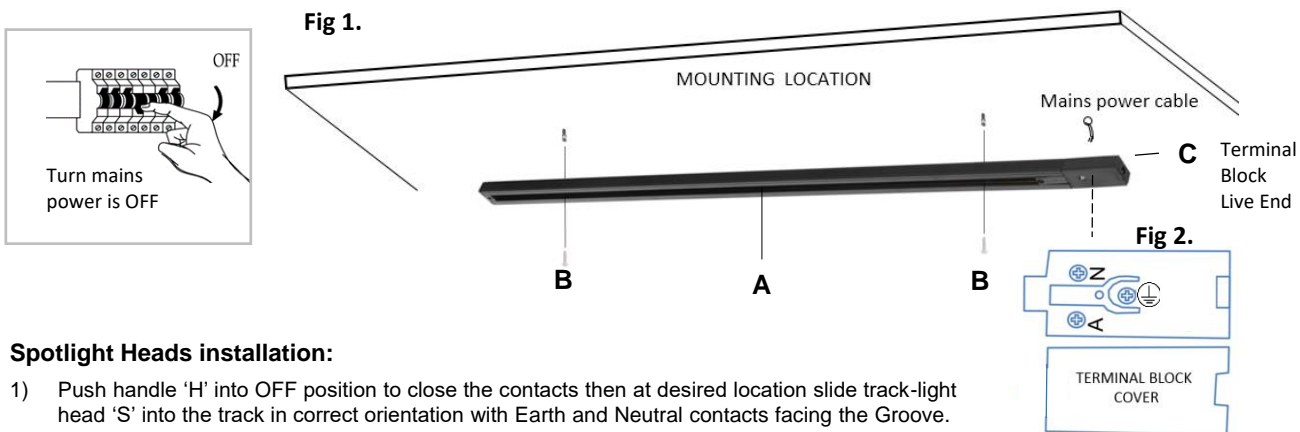
THIS FITTING MUST BE INSTALLED BY A QUALIFIED ELECTRICIAN in accordance with AS/NZS 3000 and relevant amendments

INSTALLATION:

Note: Groove on track facia identifies Earth and Neutral contact position.

Track Installation

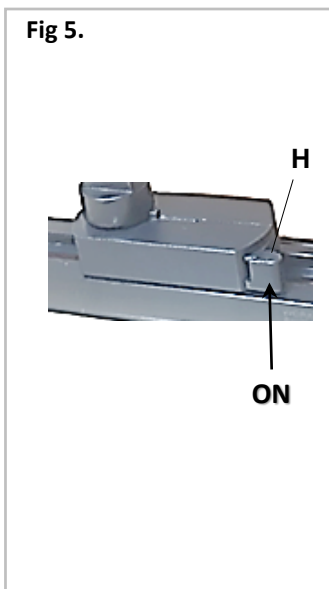
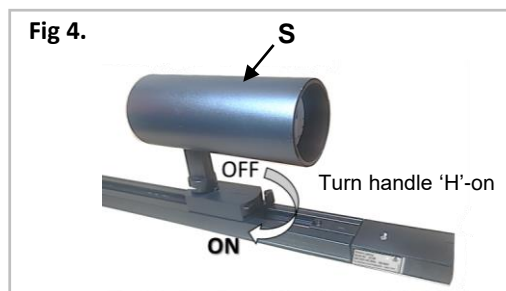
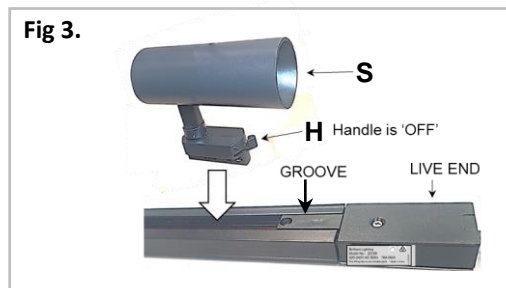
- 1) Ensure the Mains Supply is switched 'OFF'
- 2) Unpack the fixture carefully and place it on a flat surface. Dispose of the packaging material thoughtfully.
- 3) Using the Track 'A' as a template position in desired location on the ceiling and mark mounting hole position.
- 4) Ensure that there are no hidden cables or utilities in the mounting position. Drill holes and install Track 'A' to mounting position using suitable mounting fixtures 'B'.
- 5) Remove terminal cover 'C' and pull electrical cable through cable entry hole. Connect power cable according to the markings located on the terminals. Fig 2. (A- Active, N- Neutral, \oplus -Earth). Ensure connections are secure.
- 6) Replace terminal cover.



Spotlight Heads installation:

- 1) Push handle 'H' into OFF position to close the contacts then at desired location slide track-light head 'S' into the track in correct orientation with Earth and Neutral contacts facing the Groove. (Fig 3).
- 2) While pushing the spotlight Head 'S' into the Track turn Handle 'H' into ON position until it locks. (Fig 4 Fig 5)
- 3) Adjust Spotlight into desired direction and select desired colour temperature via switch 'D' located on the rear side of the head. (Fig 6)
- 4) Repeat fitting procedure 1)-3) for other track-light heads.
- 5) Turn the power ON. Switch the light on at the wall switch.

Note: The Track can be extended and additional Spotlight Heads Model 22127 purchased separately.





CERES 3L LED TRACK LIGHT KIT

Model No. :	22128/05	22128/06
Colour :	White	Black

THIS FITTING MUST BE INSTALLED BY A QUALIFIED ELECTRICIAN in accordance with AS/NZS 3000 and relevant amendments

Installation: Multiple Tracks



Multiple Track Installation:

- 1) Ensure the Mains Supply is switched 'OFF'.
- 2) Unpack the fixture's carefully and place it on a flat surface. Dispose of the packaging material thoughtfully.
- 3) Unscrew Grub screw and remove one(1) Terminal Block Live End from Secondary Track to be joined to Primary Track (Live – power in). Fig 1
- 4) Unscrew Grub remove Dead End from Primary Track (Live – Power in).
- 5) Insert Straight Track Joiner into Primary Track Dead End and Secondary Track Live End. Straight Track Joiner Earth and Neutral Contactors must line up with Track Facia Groove side. Tighten Straight Track Joiner Grub screws. Fig 3.
- 6) Using the Track as a template position in desired location (wall or ceiling) and mark mounting hole position.
- 7) Ensure that there are no hidden cables or utilities in the mounting location. Drill holes and install Track's to mounting location using suitable mounting fixtures.
- 8) Remove terminal cover and pull electrical cable through cable entry hole. Connect power cable according to the markings located on the terminals. Fig 2.
- 9) Replace terminal cover.
- 10) Install Track Lights as to installation instructions page 3.
- 11) Reconnect Mains Power Supply.
- 12) Switch the fitting on at the wall switch.

Fig 1.

Secondary Track Live End.

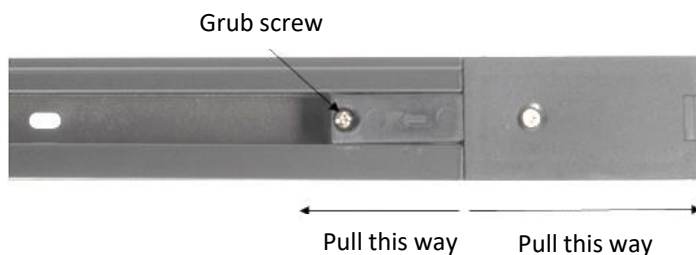
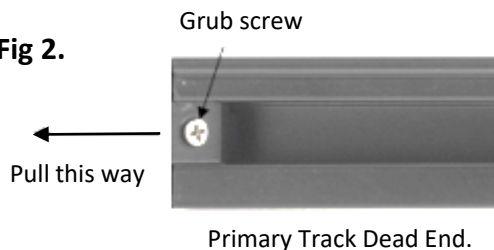
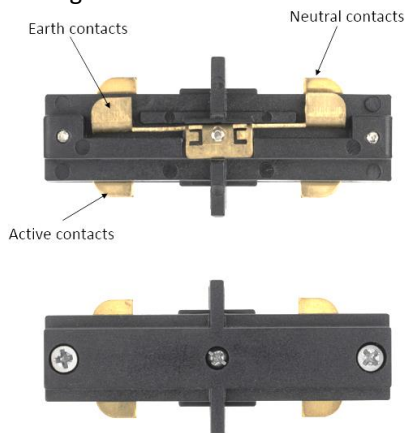


Fig 2.

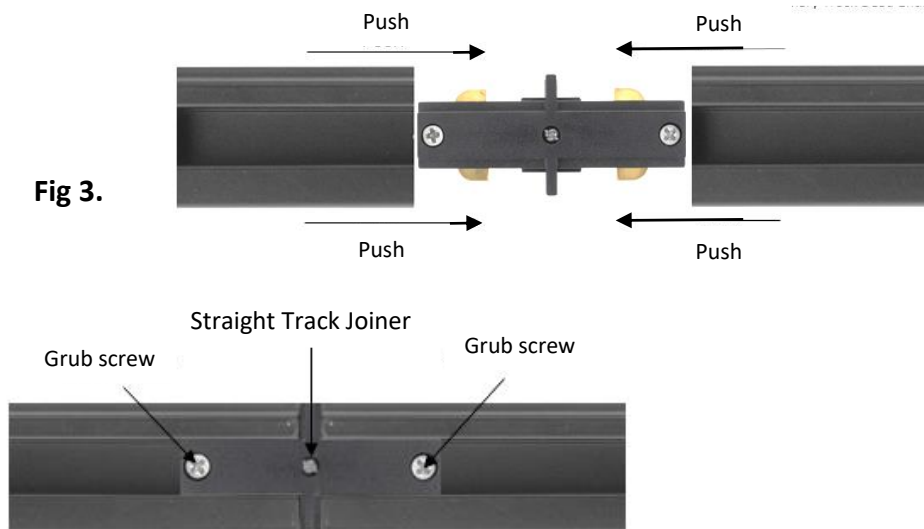


Straight Track Joiner



Secondary Track Live End. Straight Track Joiner Primary Track Dead End.

Fig 3.



Secondary Track Live End. Primary Track Dead End.



CERES 3L LED TRACK LIGHT KIT

Model No. :	22128/05	22128/06
Colour :	White	Black

WARNINGS

- Do not operate this fitting in harsh environmental conditions such as building sites.
- Ensure wire connections are firm.
- Always ensure that the spotlight heads are inserted into the track in correct orientation.
- Do not exercise excessive force turning the handle 'H' into locking position.
- The Track must be firmly installed on the ceiling.
- Not suitable for wall (vertical) installation.
- Do not install it on surfaces which can move or vibrate.
- Do not immerse any part of the fitting into water or any liquid.
- Do not spray water or any liquid on the tracklight system.
- Do not insert any object into the track.
- Dispose of packaging thoughtfully.
- Always allow the fitting and Spotlight Head to cool to room temperature before attempting to replace.

Recycling and environmental concerns

- Dispose of packaging thoughtfully
- When fitting reaches it's end life recycle in accordance with your local regulations



CERES 3L LED TRACK LIGHT KIT

Model No. :	22128/05	22128/06
Colour :	White	Black

Warranty:

Brilliant Lighting warrants this product against defects in manufacture and workmanship for a period of 3 years from date of purchase or as specified elsewhere (Globe not included). For products used in non-domestic or commercial applications, Brilliant Lighting warrants this product for a period of 3 months from date of purchase. This warranty is only valid for products installed and operated within the guidelines specified by Brilliant Lighting, and within the correct operating voltage ranges as stated on the product's rating label.

Warranty does not include damage or loss arising from incorrect installation, operation or maintenance of this product, damage caused through modification, incorrect installation, service by unqualified or unauthorised personnel or lack of regular maintenance and cleaning. Proof of installation by qualified personnel may be required, e.g. Electrical Safety Certificate. Proof of purchase must be supplied with all warranty claims.

This warranty is provided in addition to any other rights and remedies of the customer under any law. In applications not intended for household, personal or domestic use, liability is limited to replacement or reimbursement of product only. Brilliant Lighting does not warranty the costs of removal or re-installation of this product or associated components.

Our goods come with guarantees that cannot be excluded under the Australian Consumer Law. You are entitled to a replacement or refund for a major failure and compensation for any other reasonably foreseeable loss or damage. You are also entitled to have the goods repaired or replaced if goods fail to be of acceptable quality and the failure does not amount to a major failure.

Any claim under this warranty must be made within the specified warranty period from date of purchase of this product. To make a claim under the warranty; at your own expense take the product (with proof of purchase – receipt or similar) to the store where you purchased the product or contact Brilliant Lighting at the address below.

This warranty is given by:

Brilliant Lighting (Aust) Pty. Ltd.
ABN 37 006 203 694
956 Stud Road Rowville, VIC 3178
Phone: 03 9765 2555
Email: warranty@brilliantlighting.com.au
Web: www.brilliantlighting.com.au
MADE IN CHINA