



Industrial Switchgear

Plugs and Sockets



Make the right choice

Don't judge industrial switchgear by its colour

- Neutral

clipsal.com

Life Is 

CLIPSAL
by Schneider Electric



Product Catalogue

Neutral



The Neutral range of Clipsal Industrial products are suited for environments that are Chemically Neutral, dusty or clean, wet or dry, Indoors or outdoors (UV resistant).

Some typical applications include: plant rooms, warehouses, workshops, assembly plants, plant platforms, tool rooms, swimming centres, tilt-up buildings, material handling & transport.

If Clipsal industrial products are part of the 'neutral' range they will easily be identified by green circle with neutral text and/or by a green circle with a white hammer (as shown below).



AND / OR



The neutral range encompasses 56 Series Grey (GY) products & 66 Series Resistant Grey (RG) products & 56 Series and 66 Series Electric Orange Plugs (EO). The following section showcases these products in more detail.

Combination Switched Socket Outlets

The 56 Series range of combination switched socket outlets includes two module units and one-piece cover models. All internal phase connections between switches and sockets are factory wired.

The 4 and 5 pin, 10 A and 20 A one-piece cover models have integral wiring between the switch and socket outlet. The current IP66 retention ring plugs can be accommodated. The 250 V, 110 V, and extra low voltage two module combinations are also available. Versions with key operated switches are available with special order.

Less Enclosure (base) versions are indicated with letters LE in the reference.

Internal interlock facility is available on three phase, one piece cover combinations. These have the prefix 56CVI.

1 Piece Cover Models

56 Series



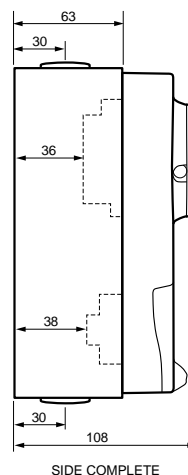
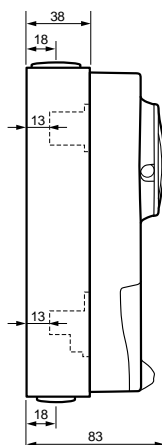
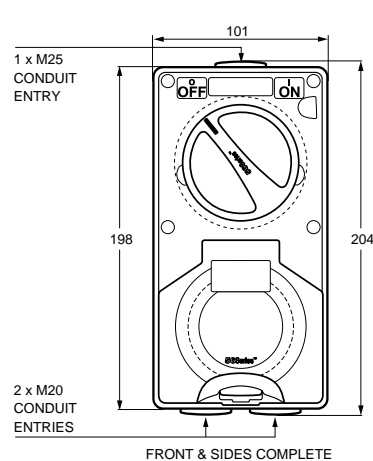
66 Series



Neutral - Clipsal 56 Series

Catalogue Number	No. of switch poles	I _{the} (Amp)	U _i / U _e (Volt)	I _e (A) Utilisation Category			M Rating	Type of Socket	Cond. Term Size in mm	O/A Dims.			Matching Plug	Socket Config
				AC21A	AC22A	AC23A				Min Cond.	Max (H)	(W)		
56CV310-GY	1P	10	250	10	8	8	M80	1P + N + E	[1,5,6]	204	101	83	56P310	A
56CV310HD-GY	1P	10	250	10	10	11	M100	1P + N + E	[6,16]	204	101	108	56P310	A
56CV310LE-GY	1P	10	250	10	8	8	M80	1P + N + E	[1,5,6]	204	101	70	56P310	A
56CV315-GY	1P	15	250	15	10	8	M80	1P + N + E	[1,5,6]	204	101	83	56P315	B
56CV410-GY	3P	10	500	10	10	11	M100	3P + E	[1,5,16]	204	101	108	56P410	K
56CV432-GY	3P	32	500	32	32	28	M180	3P + E	[4,16]	204	101	108	56P432	N
56CV432LE-GY	3P	32	500	32	32	28	M180	3P + E	[4,16]	204	101	70	56P432	N
56CV450-GY	3P	50	500	50	50	35	M250	3P + E	[10,25]	204	101	108	56P450	P
56CV510-GY	3P	10	500	10	10	11	M100	3P + N + E	[1,5,16]	204	101	108	56P510	Q
56CV520-GY	3P	20	500	20	20	21	M150	3P + N + E	[2,5,16]	204	101	108	56P520	R
56CV532-GY	3P	32	500	32	32	28	M180	3P + N + E	[4,16]	204	101	108	56P532	S
56CV550-GY	3P	50	500	50	50	35	M250	3P + N + E	[10,25]	204	101	108	56P550	U
56CV610-GY	3P	10	500	10	10	11	M100	3P + N + E	[1,5,16]	204	101	108	56P610	V
56CV720-GY	3P	20	500	20	20	21	M150	3P + N + E	[2,5,16]	204	101	108	56P720	X
56CVI420C-GY	3P	20	500	20	20	21	M150	3P + E	[2,5,16]	204	101	108	56P420	L
56CVI420-GY	3P	20	500	20	20	21	M150	3P + E	[2,5,16]	204	101	108	56P420	L
56CVI440-GY	3P	40	500	40	40	35	M200	3P + E	[10,25]	204	101	108	56P440	O
56CVI520C-GY	3P	20	500	20	20	21	M150	3P + N + E	[2,5,16]	204	101	108	56P520	R
56CVI520-GY	3P	20	500	20	20	21	M150	3P + N + E	[2,5,16]	204	101	108	56P520	R
56CVI532-GY	3P	32	500	32	32	28	M180	3P + N + E	[4,16]	204	101	108	56P532	S
56K1CV310-GY	1P	10	250	#N/A	#N/A	#N/A	#N/A	1P + N + E	[1,5,6]	204	101	85	56P310	#N/A

Dimensions (mm)

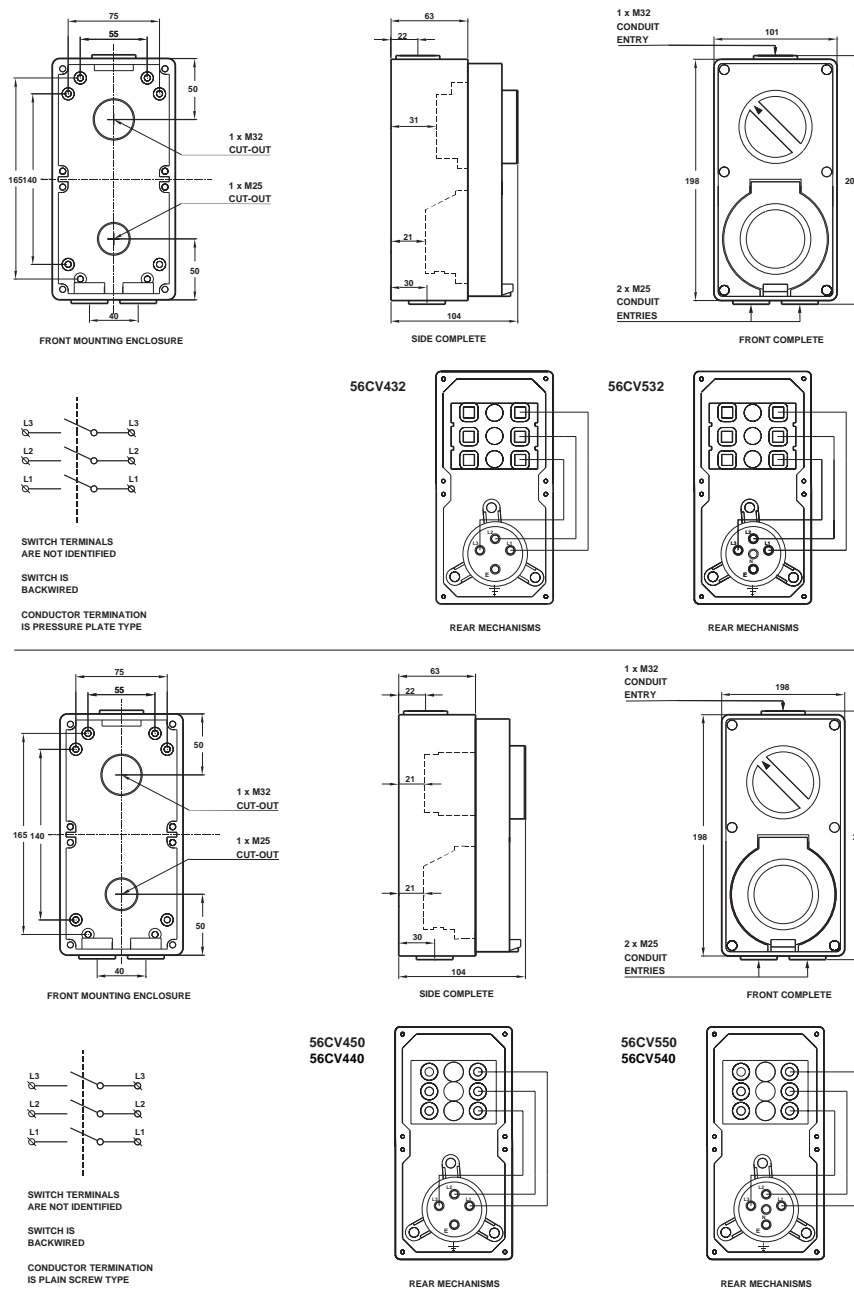


56CV310
56CV310HD
56CV315
56CV315HD
56CV320
56CV332
56CV410
56CV416K
56CV420
56CV432
56CV440
56CV450
56CV510
56CV520
56CV532
56CV540
56CV550
56CV610
56CV710
56CV720

Neutral - Clipsal 66 Series

Catalogue Number	No. of Switch Poles	I _{the} (Amp)	U _i / U _e (Volt)	I _e (A) Utilisation Category			Type of Socket	Cond. Term Size in mm	O/A Dims.			Matching Plug
				AC21A	AC22A	AC23A			Min	Max / Cond. (H)	(W)	
66CV463-RG	3P	63	500	63	63	50	1P + N + E	[16,35]	320	160	215	66P463
66CV563-RG	3P	63	500	63	63	50	1P + N + E	[16,35]	320	160	215	66P563
66CV750-RG	3P	50	500	63	63	40	1P + N + E	[10,25/2.5]	320	160	215	66P750

Dimensions (mm)



2 Piece Cover Models



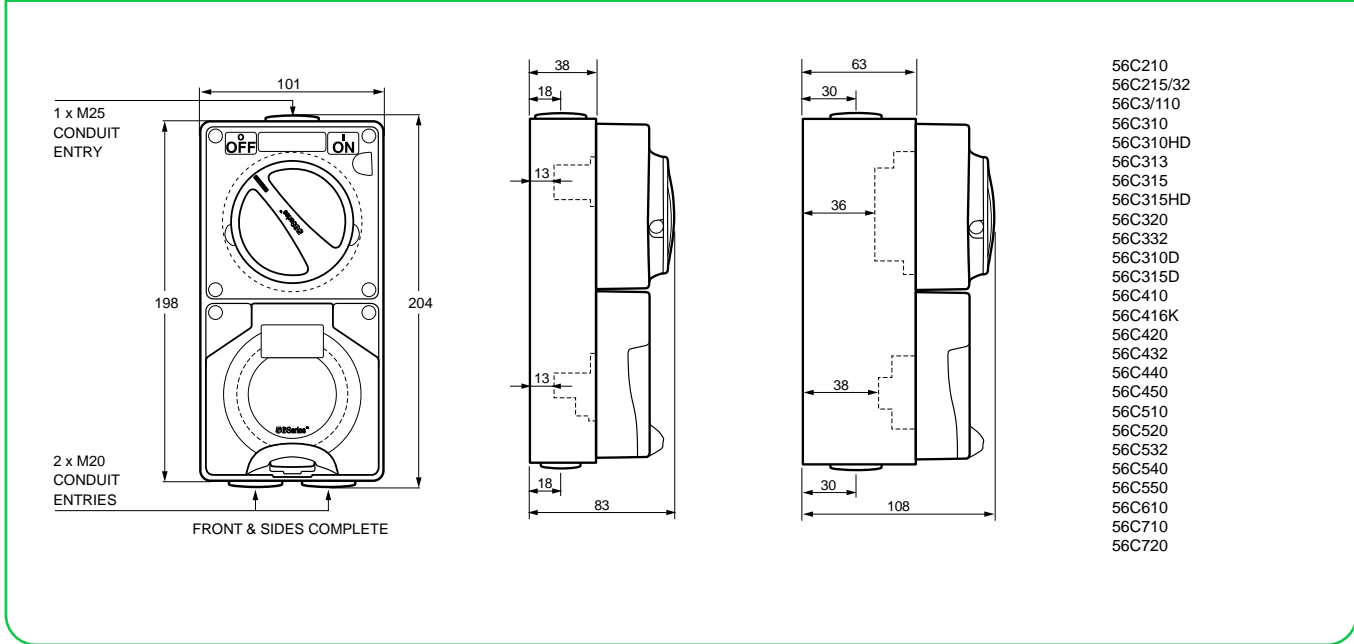
Neutral - Clipsal 56 Series

Catalogue Number	No. of Switch Poles	I _{the} (Amp)	U _i / U _e (Volt)	I _e (A)	Utilisation Category M			Type of Socket	Cond. Term Size in mm	O/A Dims.			Matching Plug	Socket Config
					AC21A	AC22A	AC23A			Min	Max / Cond.	(H)		
56C210-GY	2P	10	250	10	8	8	M80	1P + N	[1.5,6]	204	101	83	56P210	D
56C215/32-GY	2P	15	32	15	10	8	M80	1P + N	[1.5,6]	204	101	83	56P215/32	E
56C3/110-GY	1P	10	110	10	8	8	M80	1P + N + E	[1.5,6]	204	101	83	56P3/110	J
56C310D-GY	1P	10	250	10	10	11	M100	1P + N + E	[1.5,6]	204	101	83	56P310	A
56C310DLE-GY	1P	10	250	10	10	11	M100	1P + N + E	[1.5,6]	204	101	70	56P310	A
56C310-GY	1P	10	250	10	8	8	M80	1P + N + E	[1.5,6]	204	101	83	56P310	A
56C310HD-GY	1P	10	250	10	10	11	M100	1P + N + E	[1.5,16]	204	101	108	56P310	A
56C310HDLE-GY	1P	10	250	10	10	11	M100	1P + N + E	[1.5,16]	204	101	72	56P310	A
56C310LE-GY	1P	10	250	10	8	8	M80	1P + N + E	[1.5,6]	204	101	70	56P310	A
56C310L-GY	1P	10	250	10	8	8	M80	1P + N + E	[1.5,6]	204	101	83	56P310SL	C
56C310LLE-GY	1P	10	250	10	8	8	M80	1P + N + E	[1.5,6]	204	101	70	56P310SL	C
56C310RP-GY	1P	10	250	10	8	8	M80	1P + N + E	[1.5,6]	204	101	83	56P310RP	G
56C313-GY	1P	13	250	#N/A	#N/A	#N/A	#N/A	1P + N + E	[1.5,6]	204	101	83	56P313	#N/A
56C315D-GY	1P	15	250	15	15	15	M120	1P + N + E	[1.5,6]	204	101	83	56P315	B
56C315DLE-GY	1P	15	250	15	15	15	M120	1P + N + E	[1.5,6]	204	101	70	56P315	B
56C315-GY	1P	15	250	15	10	8	M80	1P + N + E	[1.5,6]	204	101	83	56P315	B
56C315HD-GY	1P	15	250	15	15	15	M120	1P + N + E	[1.5,6]	204	101	108	56P315	B
56C315HDLE-GY	1P	15	250	15	15	15	M120	1P + N + E	[1.5,6]	204	101	72	56P315	B
56C315LE-GY	1P	15	250	15	10	8	M80	1P + N + E	[1.5,6]	204	101	70	56P315	B
56C320F-GY	1P	20	250	20	20	20	M150	1P + N + E	[2.5,6]	204	101	108	56P320F	F
56C320FLE-GY	1P	20	250	20	20	20	M150	1P + N + E	[2.5,6]	204	101	72	56P320F	F
56C320-GY	1P	20	250	20	20	21	M150	1P + N + E	[2.5,6]	204	101	108	56P320	H
56C332-GY	1P	32	250	32	32	28	M180	1P + N + E	[6,16]	204	101	108	56P332	I
56C332LE-GY	1P	32	250	32	32	28	M180	1P + N + E	[6,16]	204	101	72	56P332	I
56C410-GY	3P	10	500	10	10	11	M100	3P + E	[1.5,6]	204	101	108	56P410	K
56C410LE-GY	3P	10	500	10	10	11	M100	3P + E	[1.5,6]	204	101	72	56P410	K
56C416K-GY	3P	16	500	16	16	15	M120	3P + E	[1.5,6]	204	101	108	56P416K	M
56C420-GY	3P	20	500	20	20	21	M150	3P + E	[2.5,6]	204	101	108	56P420	L
56C420LE-GY	3P	20	500	20	20	21	M150	3P + E	[2.5,6]	204	101	72	56P420	L
56C432-GY	3P	32	500	32	32	28	M180	3P + E	[6,16]	204	101	108	56P432	N
56C432LE-GY	3P	32	500	32	32	28	M180	3P + E	[6,16]	204	101	72	56P432	N
56C440-GY	3P	40	500	40	40	35	M200	3P + E	[10,16]	204	101	108	56P440	O

Neutral - Clipsal 56 Series

Catalogue Number	No. of Switch Poles	I _{the} (Amp)	Ui / Ue (Volt)	Ie (A) Utilisation Category			M Rating	Type of Socket	Cond. Term Size in mm	O/A Dims.			Matching Plug	Socket Config
				AC21A	AC22A	AC23A				Min	Max / (H)	(W)		
56C450-GY	3P	50	500	50	50	35	M250	3P + E	[10,16]	204	101	108	56P450	P
56C510-GY	3P	10	500	10	10	11	M100	3P + N + E	[1.5,6]	204	101	108	56P510	Q
56C510LE-GY	3P	10	500	10	10	11	M100	3P + N + E	[1.5,6]	204	101	72	56P510	Q
56C520-GY	3P	20	500	20	20	21	M150	3P + N + E	[2.5,6]	204	101	108	56P520	R
56C520LE-GY	3P	20	500	20	20	21	M150	3P + N + E	[2.5,6]	204	101	72	56P520	R
56C532-GY	3P	32	500	32	32	28	M180	3P + N + E	[4,16]	204	101	108	56P532	S
56C532LE-GY	3P	32	500	32	32	28	M180	3P + N + E	[4,16]	204	101	72	56P532	S
56C540-GY	3P	40	500	40	40	35	M200	3P + N + E	[10,16]	204	101	108	56P540	T
56C550-GY	3P	50	500	50	50	35	M250	3P + N + E	[10,16]	204	101	108	56P550	U
56C610-GY	3P	10	500	10	10	11	M100	3P + N + E	[1.5,6/2.5]	204	101	108	56P610	V
56C710-GY	3P	10	500	10	10	11	M100	3P + N + E	[1.5,6/2.5]	204	101	108	56P710	W
56C720-GY	3P	20	500	20	20	21	M150	3P + N + E	[1.5,6/2.5]	204	101	108	56P720	X

Dimensions (mm)



Surface Socket Outlets

Surface Socket Outlets range in size from 32 V, 10 A to 500 V, 50 A. All sockets feature hoseproof and dust resistant flaps with automatic snap catch latches. The transparent flap enables instant visual inspection of socket condition and pin configuration.

The full range of sockets accommodates the current IP66 retention ring plugs in order to rationalise the number of variations required. Earth and neutral connectors accommodating 3 x 6 mm² cable are supplied with all 500 V models. Terminal housings are moulded in tough polyester to minimise damage.

Less Enclosure (base) versions are indicated by the letters LE in the reference.



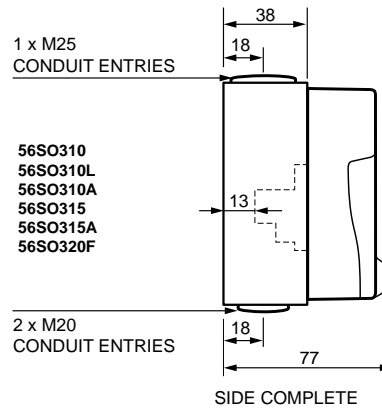
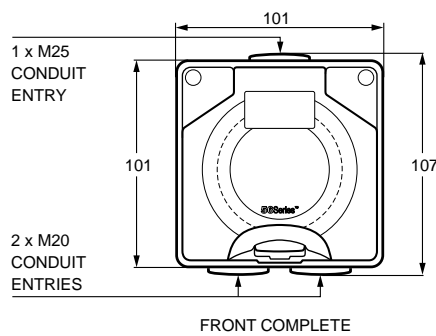
Neutral - Clipsal 56 Series

Catalogue Number	I _{the} (Amp)	Ui / Ue (Volt)	Type of Socket	Cond. Term Size in mm		O/A Dims.			Colour	Matching Plug	Socket Config
				Min	Max / Cond.	(H)	(W)	(D)			
56SO210-GY	10	250	1P + N	[1,5,6]		107	101	77	Grey	56P210	D
56SO210LE-GY	10	250	1P + N	[1,5,6]		107	101	55	Grey	56P210	D
56SO215/32-GY	15	32	1P + N	[1,5,6]		107	101	77	Grey	56P215/32	E
56SO215/32LE-GY	15	32	1P + N	[1,5,6]		107	101	55	Grey	56P215/32	E
56SO3/110-GY	10	110	1P + N + E	[1,5,6]		107	101	77	Grey	56P3/110	J
56SO3/110LE-GY	10	110	1P + N + E	[1,5,6]		107	101	55	Grey	56P3/110	J
56SO310ADLE-GY	10	250	1P + N + E	[1,5,6]		107	101	64	Grey	56P310	A
56SO310A-GY	10	250	1P + N + E	[1,5,6]		107	101	77	Grey	56P310	A
56SO310ALE-GY	10	250	1P + N + E	[1,5,6]		107	101	64	Grey	56P310	A
56SO310AL-GY	10	250	1P + N + E	[1,5,6]		107	101	77	Grey	56P310L	C
56SO310ALLE-GY	10	250	1P + N + E	[1,5,6]		107	101	64	Grey	56P310L	C
56SO310-GY	10	250	1P + N + E	[1,5,6]		107	101	77	Grey	56P310	A
56SO310LE-GY	10	250	1P + N + E	[1,5,6]		107	101	64	Grey	56P310	A
56SO310L-GY	10	250	1P + N + E	[1,5,6]		107	101	77	Grey	56P310L	C
56SO310LLE-GY	10	250	1P + N + E	[1,5,6]		107	101	64	Grey	56P310L	C
56SO310RP-GY	10	250	1P + N + E	[1,5,6]		107	101	77	Grey	56P310RP	G
56SO310RPLE-GY	10	250	1P + N + E	[1,5,6]		107	101	55	Grey	56P310RP	G
56SO315A-GY	15	250	1P + N + E	[2,5,6]		107	101	77	Grey	56P315	B
56SO315ALE-GY	15	250	1P + N + E	[2,5,6]		107	101	64	Grey	56P315	B
56SO315-GY	15	250	1P + N + E	[2,5,6]		107	101	77	Grey	56P315	B
56SO315LE-GY	15	250	1P + N + E	[2,5,6]		107	101	64	Grey	56P315	B
56SO320AF-GY	20	250	1P + N + E	[2,5,6]		107	101	77	Grey	56P320F	F
56SO320F-GY	20	250	1P + N + E	[2,5,6]		107	101	77	Grey	56P320F	F
56SO320FLE-GY	20	250	1P + N + E	[2,5,6]		107	101	64	Grey	56P320F	F
56SO320-GY	20	250	1P + N + E	[2,5,6]		107	101	102	Grey	56P320	H
56SO320LE-GY	20	250	1P + N + E	[2,5,6]		107	101	71	Grey	56P320	H
56SO332-GY	32	250	1P + N + E	[6,16]		107	101	102	Grey	56P332	I
56SO332LE-GY	32	250	1P + N + E	[6,16]		107	101	74	Grey	56P332	I
56SO410-GY	10	500	3P + E	[1,5,6]		107	101	102	Grey	56P410	K
56SO410LE-GY	10	500	3P + E	[1,5,6]		107	101	71	Grey	56P410	K
56SO416K-GY	16	500	3P + E	[1,5,6]		107	101	102	Grey	56P416K	M
56SO416KLE-GY	16	500	3P + E	[1,5,6]		107	101	71	Grey	56P416K	M
56SO420-GY	20	500	3P + E	[2,5,6]		107	101	102	Grey	56P420	L
56SO420LE-GY	20	500	3P + E	[2,5,6]		107	101	71	Grey	56P420	L
56SO432-GY	32	500	3P + E	[4,16]		107	101	102	Grey	56P432	N

Neutral - Clipsal 56 Series

Catalogue Number	I _{the} (Amp)	Ui / Ue (Volt)	Type of Socket	Cond. Term Size in mm		O/A Dims.			Colour	Matching Plug	Socket Config
				Min	Max / Cond.	(H)	(W)	(D)			
56SO432LE-GY	32	500	3P + E	[4,16]		107	101	74	Grey	56P432	N
56SO440-GY	40	500	3P + E	[6,16]		107	101	102	Grey	56P440	O
56SO440LE-GY	40	500	3P + E	[6,16]		107	101	74	Grey	56P440	O
56SO450-GY	50	500	3P + E	[10,16]		107	101	102	Grey	56P450	P
56SO450LE-GY	50	500	3P + E	[10,16]		107	101	74	Grey	56P450	P
56SO510-GY	10	500	3P + N + E	[1.5,6]		107	101	102	Grey	56P510	Q
56SO510LE-GY	10	500	3P + N + E	[1.5,6]		107	101	71	Grey	56P510	Q
56SO520-GY	20	500	3P + N + E	[2.5,6]		107	101	102	Grey	56P520	R
56SO520LE-GY	20	500	3P + N + E	[2.5,6]		107	101	71	Grey	56P520	R
56SO532-GY	32	500	3P + N + E	[4,16]		107	101	102	Grey	56P532	S
56SO532LE-GY	32	500	3P + N + E	[4,16]		107	101	74	Grey	56P532	S
56SO540-GY	40	500	3P + N + E	[6,16]		107	101	102	Grey	56P540	T
56SO540LE-GY	40	500	3P + N + E	[6,16]		107	101	74	Grey	56P540	T
56SO550-GY	50	500	3P + N + E	[10,16]		107	101	102	Grey	56P550	U
56SO550LE-GY	50	500	3P + N + E	[10,16]		107	101	74	Grey	56P550	U
56SO610-GY	10	500	3P + N + E	[1.5,6/2.5]		107	101	102	Grey	56P610	V
56SO710-GY	10	500	3P + N + E	[1.5,6/2.5]		107	101	102	Grey	56P710	W
56SO710LE-GY	10	500	3P + N + E	[1.5,6/2.5]		107	101	71	Grey	56P710	W
56SO720-GY	20	500	3P + N + E	[2.5,6/2.5]		107	101	102	Grey	56P720	X
56SO720LE-GY	20	500	3P + N + E	[2.5,6/2.5]		107	101	71	Grey	56P720	X

Dimensions (mm)



IEC Surface Sockets



IEC 56 Series

Catalogue Number	I _{the} (Amp)	U _i / U _e (Volt)	Type of Socket	Cond. Term Size in mm		O/A Dims.			Colour	Matching Plug	Socket Config
				Min	Max / Cond.	(H)	(W)	(D)			
56SO316/6LE-GY	16	250	1P + N + E	0		107	101	0	Grey	0	#N/A
56SO332/6LE-GY	32	250	1P + N + E	0		107	101	0	Grey	0	#N/A
56SO432/3LE-GY	32	500	3P + E	0		107	101	0	Grey	0	#N/A
56SO516/6LE-GY	16	500	3P + N + E	0		107	101	0	Grey	0	#N/A
56SO532/6-GY	32	500	3P + N + E	0		107	101	0	Grey	0	#N/A
56SO532/6LE-GY	32	500	3P + N + E	0		107	101	0	Grey	0	#N/A

The Clipsal 67 Series and Schneider Pratika ranges also offer IEC options to consider. For more information refer to your Clipsal and Schneider Electric representative.

Switches

Surface Switches

56 Series Surface Switches are available from 250 V, 10 A to 500 V, 63 A. They incorporate a positive, rotary switch action. 'ON' and 'OFF' positions are clearly marked and there is provision for two padlocks. Hole diameter is 8 mm. If locking is required in the 'ON' position, simply drill a hole where necessary. To provide easier wiring of the 56 Series, Three Pole 63 A Switch, a deeper two gang enclosure and centrally mounted option (Cat. No. 56SW363/2), allows additional room for wiring associated with this application.

Earth and neutral connectors accommodating 3 x 6 mm² cables are supplied with all products above 20 A. All 63 A switches come with the facility to fit auxiliary micro switch 56SWAUX15.

Note:

- AC utilisation categories to AS/NZS3947.3, I_{the} - Conventional Enclosed Thermal Current, I_e - Operational Current, U_i - Insulation Voltage, U_e - Operational Voltage.
- For Fluorescent Loads use 56SW110HD or 56SW115HD instead of 56SW110 or 56SW115.
- Less Enclosure (base) versions are indicated with the letters LE in the reference.



Neutral - Clipsal 56 Series

Catalogue Number	No. of Switch Poles	I_{the} (Amp)	U_i / U_e (Volt)	I_e (A) Utilisation Category			M Rating	Cond. Term Size in mm		O/A Dims.			Colour
				AC21A	AC22A	AC23A		Min	Max / Cond. (H)	(W)	(D)		
56SW110/I-GY	1P	10	250	10	8	8	M80	[1,5,6]	107	101	83	Grey	
56SW110/2-GY	1P	10	250	10	8	8	M80	[1,5,6]	107	101	83	Grey	
56SW110/2LE-GY	1P	10	250	10	8	8	M80	[1,5,6]	107	101	70	Grey	
56SW110-GY	1P	10	250	10	8	8	M80	[1,5,6]	107	101	83	Grey	
56SW110LE-GY	1P	10	250	10	8	8	M80	[1,5,6]	107	101	70	Grey	
56SW110HD-GY	1P	10	250	10	10	10	M100	[6,16]	107	101	108	Grey	
56SW110HDLE-GY	1P	10	250	10	10	10	M100	[6,16]	107	101	72	Grey	
56SW115/2-GY	1P	15	250	15	8	8	M80	[1,5,6]	107	101	83	Grey	
56SW115/2LE-GY	1P	15	250	15	8	8	M80	[1,5,6]	107	101	70	Grey	
56SW115-GY	1P	15	250	15	8	8	M80	[1,5,6]	107	101	83	Grey	
56SW115HD-GY	1P	15	250	15	15	15	M100	[6,16]	107	101	108	Grey	
56SW115LE-GY	1P	15	250	15	8	8	M80	[1,5,6]	107	101	70	Grey	
56SW120-GY	1P	20	250	20	20	20	M150	[2,5,16]	107	101	108	Grey	
56SW120LE-GY	1P	20	250	20	20	20	M150	[2,5,16]	107	101	72	Grey	
56SW132-GY	1P	32	250	32	32	28	M180	[4,16]	107	101	108	Grey	
56SW132LE-GY	1P	32	250	32	32	28	M180	[4,16]	107	101	72	Grey	
56SW150-GY	1P	50	250	50	50	25	M250	[10,25]	107	101	108	Grey	
56SW150LE-GY	1P	50	250	50	50	25	M250	[10,25]	107	101	72	Grey	
56SW163-GY	1P	63	250	63	63	25	M300	[16,25]	107	101	108	Grey	
56SW210/2-GY	2P	10	250	0	0	0	M40	[0,75,6]	107	101	83	Grey	
56SW220-GY	2P	20	250	20	20	20	M150	[2,5,16]	107	101	108	Grey	
56SW220LE-GY	2P	20	250	20	20	20	M150	[2,5,16]	107	101	72	Grey	
56SW232-GY	2P	32	250	32	32	28	M180	[4,16]	107	101	108	Grey	
56SW232LE-GY	2P	32	250	32	32	28	M180	[4,16]	107	101	72	Grey	
56SW250-GY	2P	50	250	50	50	25	M250	[10,25]	107	101	108	Grey	
56SW250LE-GY	2P	50	250	50	50	25	M250	[10,25]	107	101	72	Grey	

/2 = all products with /2 reference have 2 way switching capability
All HD reference products provided with Heavy Duty terminal block

Neutral - Clipsal 56 Series

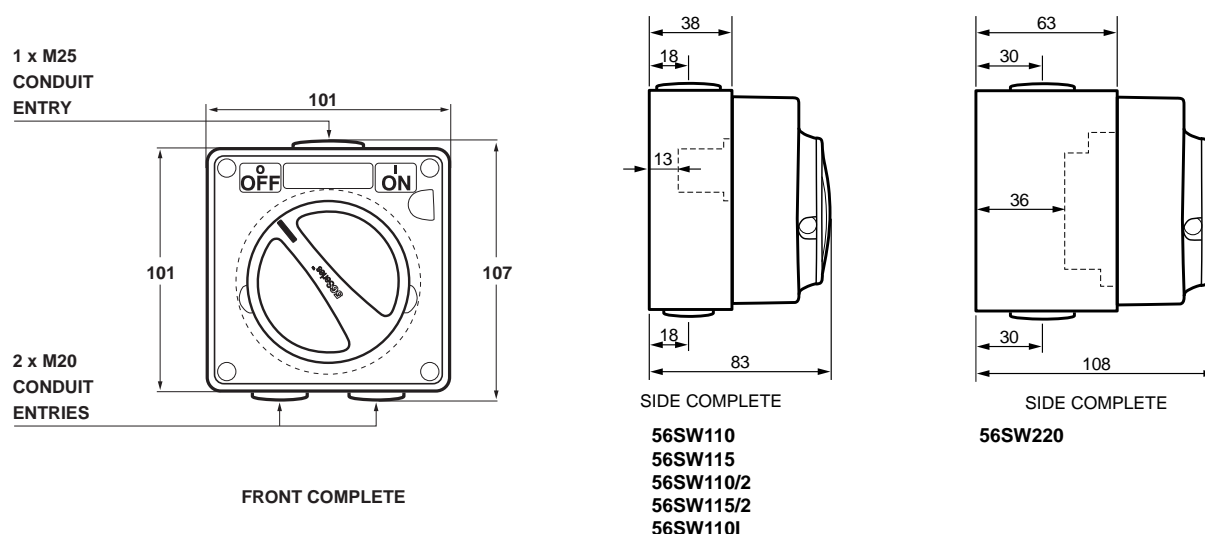
Catalogue Number	No. of Switch Poles	I _{the} (Amp)	U _i / U _e (Volt)	I _e (A) Utilisation Category			M Rating	Cond. Term Size in mm		O/A Dims.			Colour
				AC21A	AC22A	AC23A		Min	Max / Cond. (H)	(W)	(D)		
56SW263-GY	2P	63	250	63	63	25	M300	[16,25]	107	101	108	Grey	
56SW310-GY	3P	10	500	10	10	10	M100	[1.5,16]	107	101	108	Grey	
56SW310LE-GY	3P	10	500	10	10	10	M100	[1.5,16]	107	101	72	Grey	
56SW320CX-GY	3P	20	500	20	20	20	M150	[2.5,16]	107	101	108	Grey	
56SW320CXLE-GY	3P	20	500	20	20	20	M150	[2.5,16]	107	101	72	Grey	
56SW320LE-GY	3P	20	500	20	20	20	M150	[2.5,16]	107	101	108	Grey	
56SW320LE-GY	3P	20	500	20	20	20	M150	[2.5,16]	107	101	72	Grey	
56SW332CX-GY	3P	32	500	32	32	28	M180	[4,16]	107	101	108	Grey	
56SW332CXLE-GY	3P	32	500	32	32	28	M180	[4,16]	107	101	72	Grey	
56SW332-GY	3P	32	500	32	32	28	M180	[4,16]	107	101	108	Grey	
56SW332LE-GY	3P	32	500	32	32	28	M180	[4,16]	107	101	72	Grey	
56SW350-GY	3P	50	500	50	50	25	M250	[10,25]	107	101	108	Grey	
56SW350LE-GY	3P	50	500	50	50	25	M250	[10,25]	107	101	69	Grey	
56SW363/2-GY	3P	63	500	63	63	25	M300	[16,25]	204	101	108	Grey	
56SW363-GY	3P	63	500	63	63	25	M300	[16,25]	107	101	108	Grey	
56SW363LE-GY	3P	63	500	63	63	25	M300	[16,25]	107	101	69	Grey	
56SW420-GY	4P	20	500	20	20	20	M150	[2.5,6]	107	101	108	Grey	
56SW420LE-GY	4P	20	500	20	20	20	M150	[2.5,6]	107	101	72	Grey	
56SW432-GY	4P	32	500	32	32	28	M180	[2.5,6]	107	101	108	Grey	
56SW432LE-GY	4P	32	500	32	32	28	M180	[2.5,6]	107	101	72	Grey	

/2 = all products with /2 reference have 2 way switching capability
 All HD reference products provided with Heavy Duty terminal block
 All products with CX code include additional auxiliary switch.

*Further Information

56SW110HD - Single Pole Heavy Duty
 56SW110/2 - 2 way 4 terminal
 56SW110/I - Intermediate switch mechanism
 56SW115 - 1 way 2 terminal
 56SW115HD - Single Pole Heavy Duty
 56SW115/2 - 2 way 4 terminal
 56SW210/2 - 2 way 6 terminal
 56SW363/2 - 2 gang enclosure
 56SW420 - with 7 Series switch mechanism
 56SW432 - with 7 Series switch mechanism

Dimensions (mm)



Surface Switches Deep Cover

56SWH – Greater current ratings gives you the power... more grunt.

The 56SWH deep range is now available in 25A, 40A, 63A and 80A current ratings. There are also three and four pole products.

The innovative design allows you to easily remove the switch mechanism, while the deep enclosure and cover gives you plenty of space to fit larger, high-amperage cabling.

Features:

- Removable DIN rail, base-mounted switch.
- Deep cover provides additional wiring space for cables up to 50 mm.
- High-visibility red/yellow switch actuator
- Switches up to 80 A, providing greater control.
- Three Lock OFF padlocking facilities.

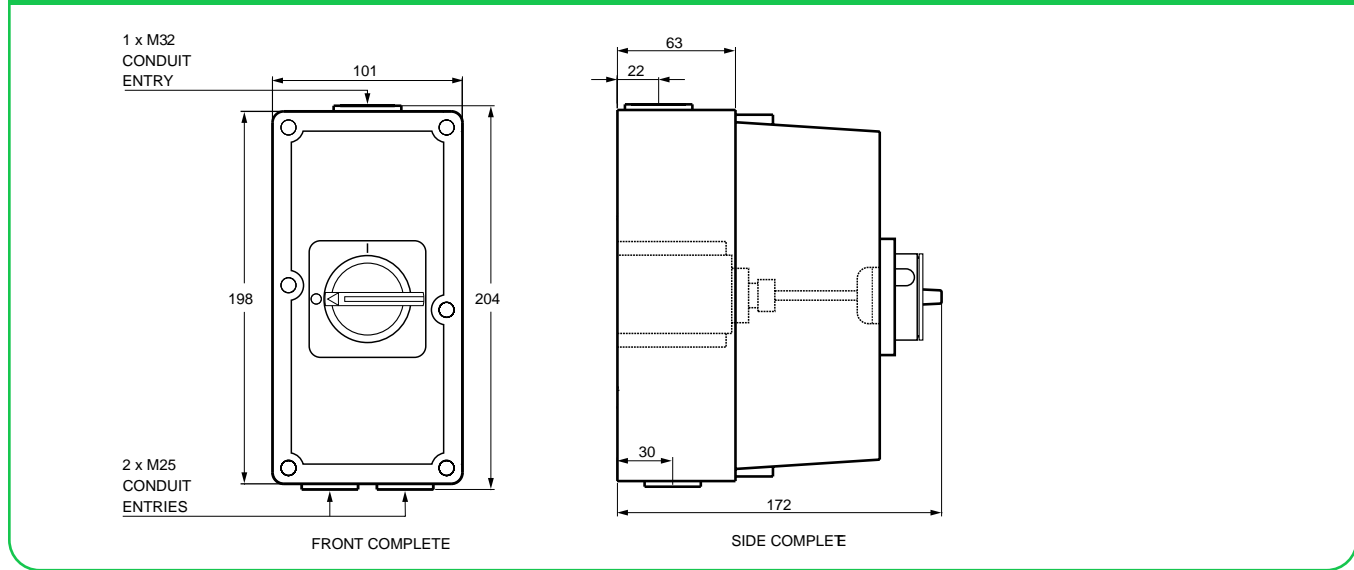
Less Enclosure (base) versions are indicated by the letters LE in the reference.



Neutral - Clipsal 56 Series

Catalogue Number	No. of Switch Poles	I _{the} (Amp)	Ui / Ue (Volt)	Ie (A) Utilisation Category			M Rating	Cond. Term Size in mm	O/A Dims.			Colour
				AC21A	AC22A	AC23A			Min	Max / Cond.	(H)	
56SWH325-GY	3P	25	500	25	0	7.5	M110	[1,6]	204	101	172	Grey
56SWH340-GY	3P	40	500	40	0	15	M220	[1.5,16]	204	101	172	Grey
56SWH363-GY	3P	63	500	63	0	18.5	M320	[1.5,16]	204	101	172	Grey
56SWH380-GY	3P	80	500	80	0	22	0	[6,50]	204	101	172	Grey
56SWH425-GY	4P	25	500	25	0	7.5	M110	[1,6]	204	101	172	Grey
56SWH440-GY	4P	40	500	40	0	15	M220	[1.5,16]	204	101	172	Grey
56SWH463-GY	4P	63	500	63	0	18.5	M320	[1.5,16]	204	101	172	Grey

Dimensions (mm)



Surface Switches Shallow Cover



Neutral - Clipsal 56 Series

Catalogue Number	No. of Switch Poles	I _{the} (Amp)	U _i / U _e (Volt)	I _e (A) Utilisation Category			M Rating	Cond. Term Size in mm	O/A Dims.			Colour
				AC21A	AC22A	AC23A			Min Max / Cond.	(H)	(W)	
56SWHS340-GY	3P	40	500	40	0	15	M220	[1.5,16]	204	101	112	Grey
56SWHS363-GY	3P	63	500	63	0	18.5	M320	[1.5,16]	204	101	112	Grey
56SWHS363LE-GY	3P	63	500	63	0	18.5	M320	[1.5,16]	198	101	53	Grey
56SWHS363A-GY	3P	63	500	63	0	18.5	M320	[1.5,16]	204	101	112	Grey
56SWHS363ALE-GY	3P	63	500	63	0	18.5	M320	[1.5,16]	198	101	53	Grey
56SWHS425-GY	4P	25	500	25	0	7.5	M110	[1,6]	204	101	112	Grey
56SWHS432-GY	4P	32	500	32	0	11	M168	[1,6]	204	101	112	Grey
56SWHS463-GY	4P	63	500	63	0	18.5	M320	[1.5,16]	204	101	112	Grey
56SWHS463LE-GY	4P	63	500	63	0	18.5	M320	[1.5,16]	198	101	53	Grey

A = includes auxiliary switch

Changeover and Reversing Switches

Changeover and Reversing Switches are designed to give full motor control in a unit that is rated IP66. These 56 Series are housed within single modules as part of the overall modular concept of the range.

Earth and neutral connectors accommodating 3 x 6 mm² cables are provided with all models.

Option available

- 7 Series Cam Type Switch Mechanisms are used and therefore special configurations are available. Contact your Clipsal and Schneider Electric representative for more information.

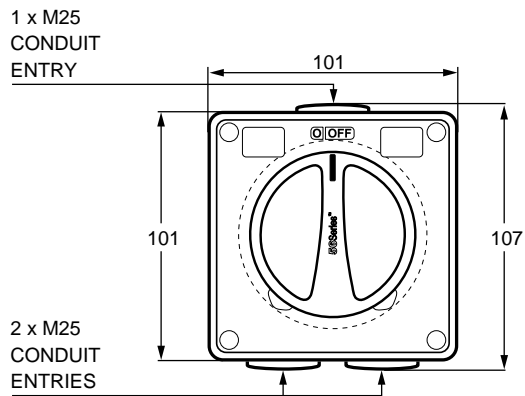


Neutral - Clipsal 56 Series

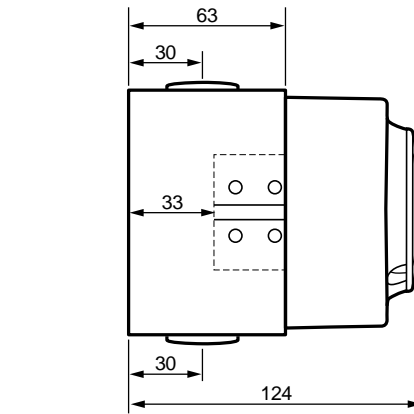
Catalogue Number	No. of Switch Poles	I _{the} (Amp)	U _i / U _e (Volt)	I _e (A) Utilisation Category			M Rating	Cond. Term Size in mm		O/A Dims.			Colour
				AC21A	AC22A	AC23A		Min	Max / Cond.	(H)	(W)	(D)	
56SW220COLE-GY	2P	20	250	20	20	20	M150	[2.5,16]	107	101	91	Grey	
56SW220CO-GY	2P	20	250	20	20	20	M150	[2.5,16]	107	101	124	Grey	
56SW420CO-GY	4P	20	500	20	20	20	0	[2.5,6]	107	101	124	Grey	
56SW420COLE-GY	4P	20	500	20	20	20	0	[2.5,6]	107	101	119	Grey	
56SW320R-GY	3P	20	500	20	20	20	0	[2.5,16]	107	101	108	Grey	
56SW320RLE-GY	3P	20	500	20	20	20	0	[2.5,16]	107	101	72	Grey	

CO = Change Over Switch
R = Reversing switch

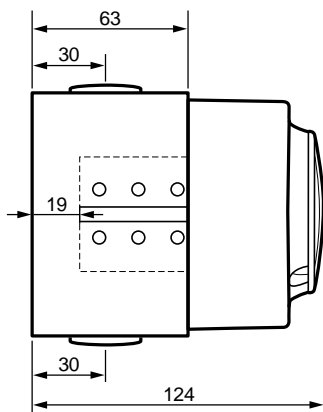
Dimensions (mm)



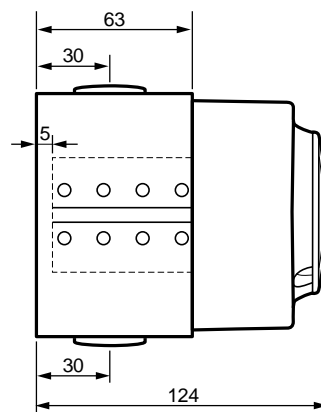
FRONT COMPLETE



56SW220CO SIDE COMPLETE



56SW320R SIDE COMPLETE



56SW420CO SIDE COMPLETE

Key Operated Switches

Key Operated switches

56 Series Key Operated Switches are designed for all key switch applications with the choice of three versions. Earth and neutral connectors accommodating 3 x 6 mm² are supplied with all models.

Standard Security

These switches are designed for general applications. From single phase 20 A to three phase 50 A. These switches are supplied with individual keys.

Medium Security

These switches are fitted with high quality Lock Focus 227 Barrel locks. The key itself is rotated to operate the switch mechanism. These switches are supplied with individual keys.

The switch cover has smooth edges to resist forced actuation.

Options available

- Common keys for a number of switches are available to special order.



Standard Security Key Switch



Medium Security Key Switch

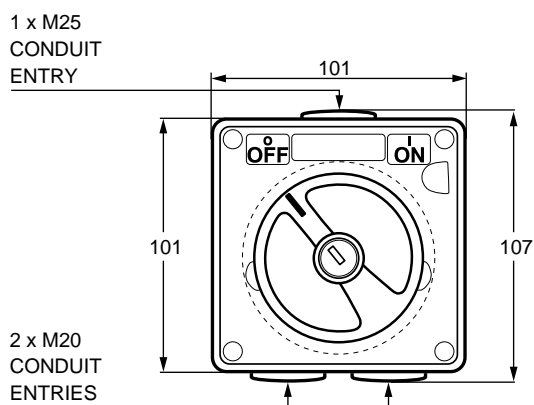
Neutral - Clipsal 56 Series

Catalogue Number	No. of Switch Poles	I _{the} (Amp)	Ui / Ue (Volt)	Ie (A) Utilisation Category			M Rating	Cond. Term Size in mm		O/A Dims.			Colour
				AC21A	AC22A	AC23A		Min	Max / Cond.	(H)	(W)	(D)	
56K1SW115-GY	1P	15	250	15	8	8	M80	[1.5,6]	107	101	87	Grey	
56K1SW115CK-GY	1P	15	250	15	8	8	M80	[1.5,6]	107	101	87	Grey	
56K1SW115CK-GY	1P	15	250	15	8	8	M80	[1.5,6]	107	101	87	Grey	
56K1SW115CKL-GY	1P	15	250	15	8	8	M80	[1.5,6]	107	101	87	Grey	
56K1SW115LE-GY	1P	15	250	15	8	8	M80	[1.5,6]	107	101	74	Grey	
56K1SW115MS-GY	1P	15	250	15	8	8	M80	[1.5,6]	107	101	87	Grey	
56K1SW115MSK-GY	1P	15	250	15	8	8	M80	[1.5,6]	107	101	87	Grey	
56K1SW120-GY	1P	20	250	20	20	20	M250	[2.5,25]	107	101	112	Grey	
56K1SW120LE-GY	1P	20	250	20	20	20	M250	[2.5,25]	107	101	76	Grey	
56K1SW120CK-GY	1P	20	250	20	20	20	M250	[2.5,25]	107	101	112	Grey	
56K1SW132-GY	1P	32	250	32	32	28	M250	[4,25]	107	101	112	Grey	
56K1SW132LE-GY	1P	32	250	32	32	28	M250	[4,25]	107	101	76	Grey	
56K1SW132CK-GY	1P	32	250	32	32	28	M250	[4,25]	107	101	112	Grey	
56K1SW132MS-GY	1P	32	250	32	32	28	M250	[4,25]	107	101	112	Grey	
56K1SW150-GY	1P	50	250	50	50	25	M250	[10,25]	107	101	112	Grey	
56K1SW220-GY	2P	20	250	20	20	20	M220	[2.5,25]	107	101	112	Grey	
56K1SW220CK-GY	2P	20	250	20	20	20	M220	[2.5,25]	107	101	112	Grey	
56K1SW250-GY	2P	50	250	50	50	25	M220	[10,25]	107	101	112	Grey	
56K1SW310-GY	3P	10	500	10	10	10	M200	[1.5,25]	107	101	112	Grey	
56K1SW310LE-GY	3P	10	500	10	10	10	M200	[1.5,25]	107	101	76	Grey	
56K1SW310CK-GY	3P	10	500	10	10	10	M200	[1.5,25]	107	101	112	Grey	
56K1SW310MS-GY	3P	10	500	10	10	10	M200	[1.5,25]	107	101	112	Grey	
56K1SW320-GY	3P	20	500	20	20	20	M200	[2.5,25]	107	101	112	Grey	
56K1SW320LE-GY	3P	20	500	20	20	20	M200	[2.5,25]	107	101	76	Grey	
56K1SW320CK-GY	3P	20	500	20	20	20	M200	[2.5,25]	107	101	112	Grey	
56K1SW332-GY	3P	32	500	32	32	28	M200	[4,25]	107	101	112	Grey	
56K1SW332LE-GY	3P	32	500	32	32	28	M200	[4,25]	107	101	76	Grey	
56K1SW332CK-GY	3P	32	500	32	32	28	M200	[4,25]	107	101	112	Grey	
56K1SW350-GY	3P	50	500	50	50	25	M200	[10,25]	107	101	112	Grey	
56K1SW350LE-GY	3P	50	500	50	50	25	M200	[10,25]	107	101	76	Grey	
56K1SW350CK-GY	3P	50	500	50	50	25	M200	[10,25]	107	101	112	Grey	
56K2SW115-GY	1P	15	250	15	8	8	M80	[1.5,6]	107	101	83	Grey	
56K2SW115LE-GY	1P	15	250	15	8	8	M80	[1.5,6]	107	101	74	Grey	
56K2SW115CK-GY	1P	15	250	15	8	8	M80	[1.5,6]	107	101	83	Grey	
56K2SW115MS-GY	1P	15	250	15	8	8	M80	[1.5,6]	107	101	112	Grey	
56K2SW115MSK-GY	1P	15	250	15	8	8	M80	[1.5,6]	107	101	112	Grey	
56K2SW120-GY	1P	20	250	20	20	20	M250	[2.5,25]	107	101	112	Grey	
56K2SW120LE-GY	1P	20	250	20	20	20	M250	[2.5,25]	107	101	76	Grey	
56K2SW120CK-GY	1P	20	250	20	20	20	M250	[2.5,25]	107	101	112	Grey	
56K2SW132-GY	1P	32	250	32	32	28	M250	[4,25]	107	101	112	Grey	
56K2SW132LE-GY	1P	32	250	32	32	28	M250	[4,25]	107	101	76	Grey	
56K2SW132CK-GY	1P	32	250	32	32	28	M250	[4,25]	107	101	112	Grey	
56K2SW132MS-GY	1P	32	250	32	32	28	M250	[4,25]	107	101	112	Grey	
56K2SW150-GY	1P	50	250	50	50	25	M220	[10,25]	107	101	112	Grey	
56K2SW220-GY	2P	20	250	20	20	20	M220	[2.5,25]	107	101	112	Grey	
56K2SW220LE-GY	2P	20	250	20	20	20	M220	[2.5,25]	107	101	76	Grey	
56K2SW220CK-GY	2P	20	250	20	20	20	M220	[2.5,25]	107	101	112	Grey	
56K2SW232-GY	2P	32	250	32	32	28	M220	[4,25]	107	101	112	Grey	
56K2SW310-GY	3P	10	500	10	8	8	M200	[1.5,25]	107	101	112	Grey	
56K2SW310LE-GY	3P	10	500	10	8	8	M200	[1.5,25]	107	101	76	Grey	
56K2SW310CK-GY	3P	10	500	10	8	8	M200	[1.5,25]	107	101	112	Grey	
56K2SW310MS-GY	3P	10	500	10	8	8	M200	[1.5,25]	107	101	112	Grey	

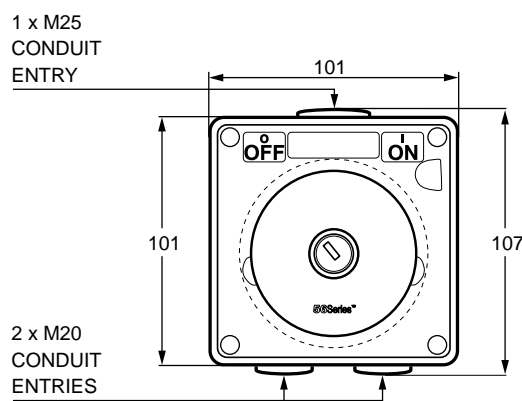
Neutral - Clipsal 56 Series

Catalogue Number	No. of Switch Poles	I _{the} (Amp)	U _i / U _e (Volt)	I _e (A) Utilisation Category			M Rating	Cond. Term Size in mm	O/A Dims.			Colour
				AC21A	AC22A	AC23A			Min	Max / Cond.	(H)	
56K2SW320-GY	3P	20	500	20	20	20	M200	[2.5,25]	107	101	112	Grey
56K2SW320LE-GY	3P	20	500	20	20	20	M200	[2.5,25]	107	101	76	Grey
56K2SW320CK-GY	3P	20	500	20	20	20	M200	[2.5,25]	107	101	112	Grey
56K2SW320PWD-GY	3P	20	500	20	20	20	M200	[2.5,25]	107	101	112	Grey
56K2SW332-GY	3P	32	500	32	32	28	M200	[4,25]	107	101	112	Grey
56K2SW332LE-GY	3P	32	500	32	32	28	M200	[4,25]	107	101	76	Grey
56K2SW332CK-GY	3P	32	500	32	32	28	M200	[4,25]	107	101	112	Grey
56K2SW350-GY	3P	50	500	50	50	25	M200	[10,25]	107	101	112	Grey
56K2SW350LE-GY	3P	50	500	50	50	25	M200	[10,25]	107	101	76	Grey

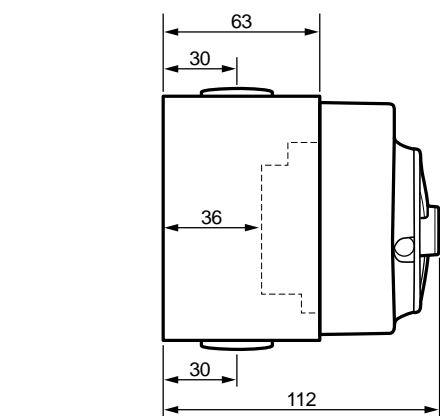
Dimensions (mm)



FRONT COMPLETE

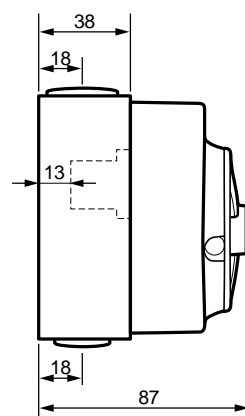


FRONT COMPLETE



56K1SW310

SIDE COMPLETE



56K1SW115

SIDE COMPLETE

Sliding Dolly Switches

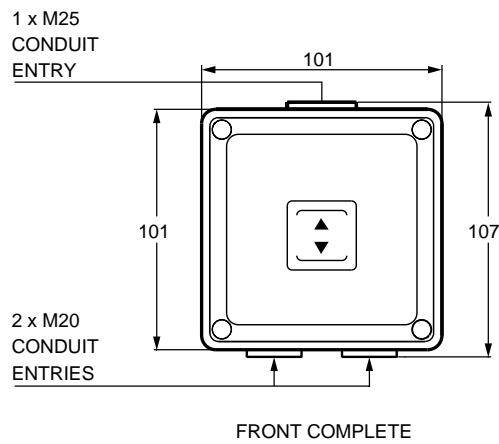
56 Series Single and Twin Sliding Switches are available in 10 A and 15 A ratings. A single intermediate switch is also available.



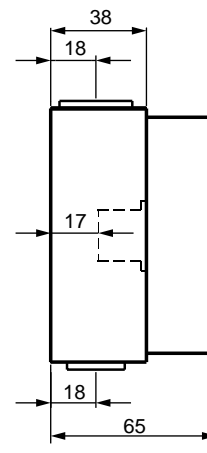
Neutral - Clipsal 56 Series

Catalogue Number	No. of Switch Poles	I _{the} (Amp)	Ui / Ue (Volt)	Ie (A) Utilisation Category			M Rating	Cond. Term Size in mm	O/A Dims.			Colour
				AC21A	AC22A	AC23A			Min Max / Cond.	(H)	(W)	
56SSW10/I-GY	1P	10	250	0	0	0	M100	[1.5,6]	107	101	65	Grey
56SSW10-GY	1P	10	250	0	0	0	M80	[1.5,6]	107	101	65	Grey
56SSW10LE-GY	1P	10	250	0	0	0	M80	[1.5,6]	107	101	48	Grey
56SSW15-GY	1P	15	250	0	0	0	M80	[1.5,6]	107	101	65	Grey
56SSW15LE-GY	1P	15	250	0	0	0	M80	[1.5,6]	107	101	48	Grey
56SSW2/10-GY	1P	10	250	0	0	0	M80	[1.5,6]	107	101	65	Grey
56SSW2/10LE-GY	1P	10	250	0	0	0	M80	[1.5,6]	107	101	48	Grey
56SSW2/15-GY	1P	15	250	0	0	0	M80	[1.5,6]	107	101	65	Grey
56SSW2/15LE-GY	1P	15	250	0	0	0	M80	[1.5,6]	107	101	48	Grey
56SSW2AM-GY	1P	10	250	0	0	0	M80	[1.5,6]	107	101	65	Grey
56SSW2AMLE-GY	1P	10	250	0	0	0	M80	[1.5,6]	107	101	48	Grey

Dimensions (mm)



56SSW10



Timer Switches

56 Series TC Synchronised Timers allow time control in IP56 environments. They are available in 24 hours and 7 days configurations with minimum switching times as indicated.

All timers are supplied with sliding tabs for easy setting and are fitted with manual override switches. This timer has a 150 hour battery running reserve.

The 56TC Timer range is not suitable for fluorescent loads.

56 Series Two Hour Process Timer is a surface mounting model that features a mechanical timer operated by a rotary switch. The timer is fully variable with the range of zero to two hours in 10 minute increments which can be reset or overridden at any stage.

A single gang module, the unit is double pole 250 V 16 A a.c. and is supplied as standard with a power ON neon. The 16 A mechanism has pressure plate type terminals. The 56SWT216 is ideally suited to run pumping or filtering operations or using with hot water service boosters. This timer is also suitable for fluorescent loads. This timer has a 150 hour battery running reserve. When a timer with pin point precision is required in an IP66 environment, the 56TCDB Digital Timer can be used.

The digital timer features highly accurate timing and multi-function control with fully programmable push button facilities. The 56TCDB also incorporates a 150 hour battery running reserve that retains information in the event of a loss of mains power.

The 56TCDB Timer is not suitable to switch fluorescent loads. The timer has a stored charge and therefore should not be connected to portable equipment.

Other features include:

Holiday Programming

Before going away, a simple holiday program can be set for a period of up to 99 days. This program will have priority over the normal program and can either operate as set or continually without a preset limit. Program start can be immediate or delayed by up to six days.

Seven Day Fully Programmable

There are 42 Memory Locations. This facility enables up to 21 ON/OFF switching commands

56 Series TC Synchronised Timers allow time control in IP56 environments. They are available in 24 hours and 7 days configurations with minimum switching times as indicated.



All timers are supplied with sliding tabs for easy setting and are fitted with manual override switches. This timer has a 150 hour battery running reserve.

The 56TC Timer range is not suitable for fluorescent loads.

56 Series Two Hour Process Timer is a surface mounting model that features a mechanical timer operated by a rotary switch. The timer is fully variable with the range of zero to two hours in 10 minute increments which can be reset or overridden at any stage.

A single gang module, the unit is double pole 250 V 16 A a.c. and is supplied as standard with a power ON neon. The 16 A mechanism has pressure plate type terminals. The 56SWT216 is ideally suited to run pumping or filtering operations or using with hot water service boosters. This timer is also suitable for fluorescent loads. This timer has a 150 hour battery running reserve. When a timer with pin point precision is required in an IP66 environment, the 56TCDB Digital Timer can be used.

The digital timer features highly accurate timing and multi-function control with fully programmable push button facilities. The 56TCDB also incorporates a 150 hour battery running reserve that retains information in the event of a loss of mains power.-

The 56TCDB Timer is not suitable to switch fluorescent loads. The timer has a stored charge and therefore should not be connected to portable equipment.

Other features include:

Holiday Programming

Before going away, a simple holiday program can be set for a period of up to 99 days. This program will have priority over the normal program and can either operate as set or continually without a preset limit. Program start can be immediate or delayed by up to six days.

Seven Day Fully Programmable

There are 42 Memory Locations. This facility enables up to 21 ON/OFF switching commands to be given at any time during a seven day period. For example,

- Memory No. 1 (ON) Mon, 8.00 a.m.
- Memory No. 2 (OFF) Mon, 8.25 a.m.
- Memory No. 3 (ON) Mon, Tue, Wed, 9.00 p.m.
- Memory No. 4 (OFF) Mon, Tue, Wed, 9.40 p.m.

Settings can continue through to a maximum of 42 locations (21 ON and 21 OFF).

Daylight Saving Switch

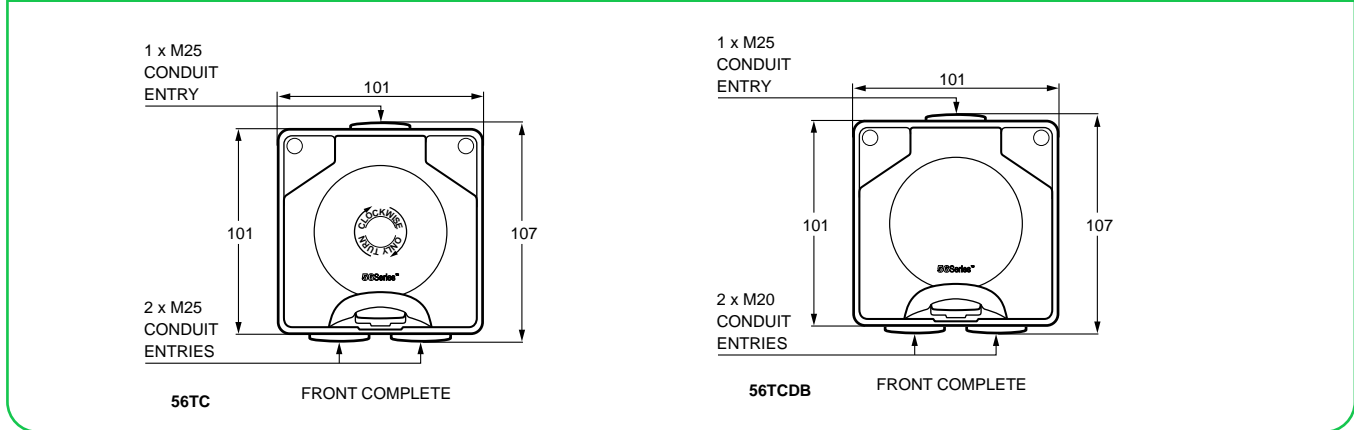
- Enables summer/winter time changes at the press of a button.
- 150 hour battery running reserve
- Retains program and setting during power blackout.
- Inbuilt bypass switch - This function disengages timing when not required. The Inbuilt Bypass Switch can be set at permanently 'ON' or permanently 'OFF' or 'ON' until programmed 'OFF' or 'OFF' until programmed 'ON'.

*For further details refer to operating instructions.

Neutral - Clipsal 56 Series

Catalogue Number	No. of Switch Poles	I _{the} (Amp)	Ui / Ue (Volt)	Type of socket	Cond. Term Size in mm		O/A Dims.			Matching plug	Socket config
					Min	Max / Cond.	(H)	(W)	(D)		
56CTC15-GY	1P	15	250	1P + N + E	[2.5,6]	294	101	102	56P315	B	
56CTC-GY	1P	10	250	1P + N + E	[2.5,6]	294	101	102	56P310	A	
56TC7-GY	1P	16	250	1P + N + E	[2.5,6]	101	101	102	-	-	
56TCDB-GY	1P	16	250	1P + N + E	[2.5,6]	101	101	102	-	-	
56TCDBLE-GY	1P	16	250	1P + N + E	[2.5,6]	101	101	0	-	-	
56TC-GY	1P	16	250	1P + N + E	[2.5,6]	101	101	102	-	-	
56TCLE-GY	1P	16	250	1P + N + E	[2.5,6]	101	101	0	-	-	
56SWT216-GY	2P	16	250	-	[2.5,4]	107	101	102	-	-	
56SWT216LE-GY	2P	16	250	-	[2.5,4]	107	101	0	-	-	

Dimensions (mm)



Push Button Control Stations



This rugged range consists of five different combinations of stop and start control stations. The stations are ideal in wet, dusty or dirty conditions for controlling motor starters on pumps, saws, compressors, lathes, processors, and processing lines.

56PB - Start control station.

56PBS - Stop control station.

56PBS1 - Emergency stop station. This station has a red mushroom head push button with twist reset.

56PBS2 - Stop station. This station has a red mushroom head push button with twist reset. (Labelled stop only).

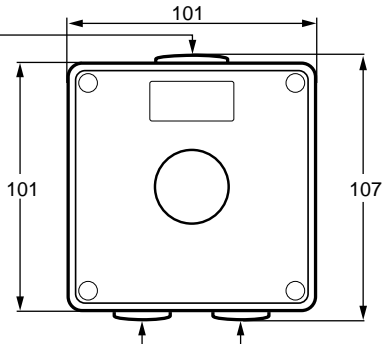
56/2PB - Combination stop/start control station with momentary operation push buttons. The red stop button has an extended head and the green start button a flush head.

56/2PBS1 - Combination stop/start control station with same stop button as the 56PBS1.

Neutral - Clipsal 56 Series														
Catalogue Number	No. of switch poles	I_{the} (Amp)	U_i / U_e (Volt)	I_e (A)	Utilisation Category			M Rating	Cond. Term Size in mm		O/A Dims.			Colour
					AC21A	AC22A	AC23A		Min	Max / Cond.	(H)	(W)	(D)	
56PB-GY	1P	0	500	0	0	0	0	[1,4]		107	101	76	Grey	
56PBLE-GY	1P	0	500	0	0	0	0	[1,4]		107	101	59	Grey	
56PBS1-GY	1P	0	500	0	0	0	0	[1,4]		107	101	102	Grey	
56PBS1LE-GY	1P	0	500	0	0	0	0	[1,4]		107	101	59	Grey	
56PBS2-GY	1P	0	500	0	0	0	0	[1,4]		107	101	102	Grey	
56/2PB-GY	1P	10	250	0	0	0	0	[1,4]		107	101	80	Grey	
56/2PBLE-GY	1P	10	250	0	0	0	0	[1,4]		107	101	63	Grey	
56/2PBS1-GY	1P	10	250	0	0	0	0	[1,4]		107	101	80	Grey	

Dimensions (mm)

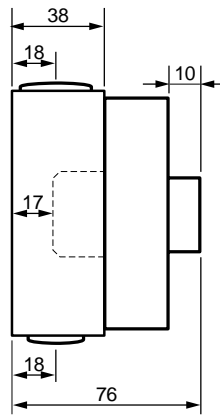
1 x M25
CONDUIT
ENTRY



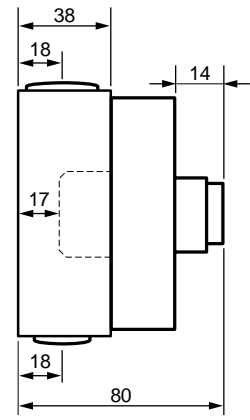
2 x M20
CONDUIT
ENTRIES

56PB & 56PBS

FRONT COMPLETE



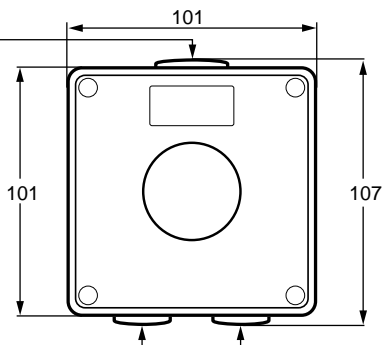
SIDE COMPLETE



56PBS & 56/2PB

SIDE COMPLETE

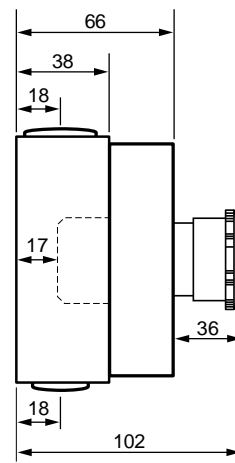
1 x M25
CONDUIT
ENTRY



2 x M20
CONDUIT
ENTRIES

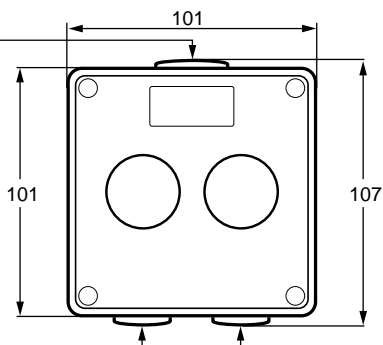
56PBS1 & 56PBS2

FRONT COMPLETE



SIDE COMPLETE

1 x M25
CONDUIT
ENTRY

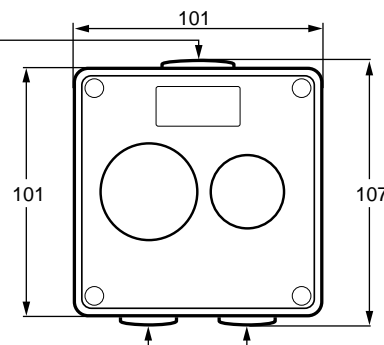


2 x M20
CONDUIT
ENTRIES

56/2PB

FRONT COMPLETE

1 x M25
CONDUIT
ENTRY



2 x M20
CONDUIT
ENTRIES

56/2PBS1

FRONT COMPLETE

Safety Surface Switches

This 56 Series range of switches helps ensure isolators are highly visible by using a brightly coloured red switch knob and yellow plate. The high visibility naturally reduces an individual's response time in the event of an emergency.

Neutral - Clipsal 56 Series

Catalogue Number	No. of Switch Poles	I_{the} (Amp)	Ui / Ue (Volt)	Ie (A) Utilisation Category			M Rating	Cond. Term Size in mm	O/A Dims.			Colour
				AC21A	AC22A	AC23A			Min	Max / Cond.	(H)	
56SW110-RY	1P	10	250	10	8	8	M80	[1.5,6]	107	101	83	Yellow
56SW120-RY	1P	20	250	20	20	20	M150	[2.5,16]	107	101	108	Yellow
56SW320-RY	3P	20	500	20	20	20	M150	[2.5,16]	107	101	108	Yellow
56SW332-RY	3P	32	500	32	32	28	M180	[4,16]	107	101	108	Yellow

DOL Motor Starters



The rugged reliability and modular construction of 56 Series Industrial Switchgear, when combined with the Schneider Electric range of contactors and overload relays, gives you the most exciting breakthrough in motor control technology.

A range of rugged, dependable DOL Motor Starters for single phase motors up to 2.2 kW (3.0 hp) and three phase motors up to 11 kW (7.5 hp). 56 Series Motor Starters offer unequalled levels of design flexibility, together with superior on the job performance.

For maximum versatility and flexibility there are four versions in each of the single and three phase options:

- START/STOP RESET
- STOP/RESET only
- START/STOP RESET with isolating switch

Features

- Modular flexibility. Starters can be coupled with almost any number of 56 Series Modules in one enclosure.
- Ease of wiring.
- UV stabilised for proven outdoor performance.
- IP66.
- Heavy-duty impact resistant enclosure.
- Customised units can be ordered to meet individual customer requirements.

Neutral - Clipsal 56 Series

Catalogue Number	No. of Switch Poles	I _{the} (Amp)	U _i / U _e (Volt)	I _e (A) Utilisation Category			M Rating	Cond. Term Size in mm		O/A Dims.			Colour
				AC21A	AC22A	AC23A		Min	Max / Cond.	(H)	(W)	(D)	
56DOL12/LO-GY	0	0	415	0	0	0	0	0	204	101	0	Grey	
56DOL16/1B-GY	0	0	240	0	0	0	0	0	204	101	0	Grey	
56DOL22/1S-GY	0	0	415	0	0	0	0	0	294	101	0	Grey	
56DOL9/10B-GY	0	0	240	0	0	0	0	0	204	101	0	Grey	
56DOL9/10S-GY	0	0	240	0	0	0	0	0	294	101	0	Grey	
56DOL9/1-GY	0	0	240	0	0	0	0	0	204	101	0	Grey	
56DOL9/1V6RB-GY	0	0	240	0	0	0	0	0	204	101	0	Grey	
56DOL9/2V5S-GY	0	0	240	0	0	0	0	0	294	101	0	Grey	
56DOL9/4RB-GY	0	0	240	0	0	0	0	0	204	101	0	Grey	
56DOL9/6B-GY	0	0	240	0	0	0	0	0	204	101	0	Grey	
56DOL9/6-GY	0	0	240	0	0	0	0	0	204	101	0	Grey	
56DOL9/6RB-GY	0	0	240	0	0	0	0	0	204	101	0	Grey	
56DOL9/8R-GY	0	0	240	0	0	0	0	0	204	101	0	Grey	
56DOL9/8S-GY	0	0	240	0	0	0	0	0	294	101	0	Grey	
56DOL9CVR/1-GY	0	0	0	0	0	0	0	0	204	101	0	Grey	
56ROL9/10-GY	0	0	415	0	0	0	0	0	204	101	0	Grey	

Sunset Switches

See the light in saving energy with the 56 Series innovative range of Sunset Switches. Ideal for shop signage, car parks, pathways and garden areas. Sunset Switches turn on lighting once ambient light drops below the defined level, and turn off lighting once ambient light increases.

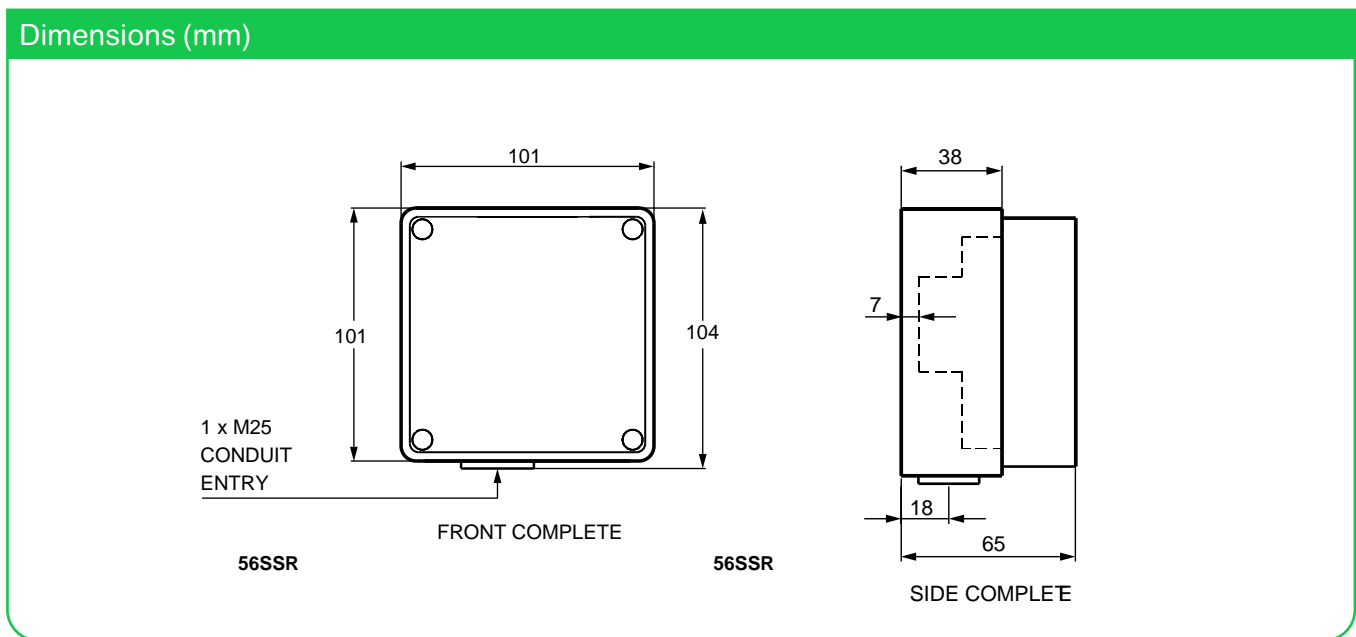
56 Series Sunset Switches come in 2-wire and 3-wire designs, making them ideal for car park lighting applications, where compliance with building code regulations and AS/NZS251680 standards are required.

They are available in weatherproof housings and are compatible with fluorescent and resistive load currents of up to 10AX. The Sunset Switch features a convenient 'Dusk to Dawn' setting, helping with easy installation setup. Lighting will be activated at dusk and switched off at dawn. For those applications requiring additional flexibility, an inbuilt timer adjustment allows lighting to be activated for a pre-set time only (2, 4, 6, 8 or 12 hours), providing the user with even more energy savings.

The lux level setting can be adjusted from 20 to 500 lux, which means the Sunset Switch can activate lighting to turn ON once ambient light drops below the defined level. This allows flexibility in regards to the mounting location of the Sunset Switch.



Sunset Switch										
Catalogue Number	I _{the} (Amp)	Ui / Ue (Volt)	Light Intensity	Temp Range	Time Adjust (Hr)	Conductor Terminal Size in mm ²	IP Rating	O/A Dims.		
			Lumens			Min Max / Cond.		(H)	(W)	(D)
56SSR/2-GY	10	250	[20,500]	0° to 45 °C	[2,12]	[0.75,6]	66	101	101	70
56SSR/3-GY	10	250	[20,500]	0° to 45 °C	[2,12]	[0.75,6]	66	101	101	70



Appliance Inlets

The 56 Series Appliance Inlets feature a downward facing, angled pin housing which enables extension socket plugs to be neatly connected without bulky right angle entry. A screwed lock ring is standard on all models to connect extension sockets and appliance connectors, and helps ensure IP integrity.

The IP rating is only achieved on 500 V appliance inlets if the screw-on cap (56PC Series) provided is fitted when not in use.

All 56AI Series Appliance Inlets are compatible with 56CSC Extension Sockets and there is no need for special reverse pin plugs. Less Enclosure versions are indicated by the letters LE in the reference.

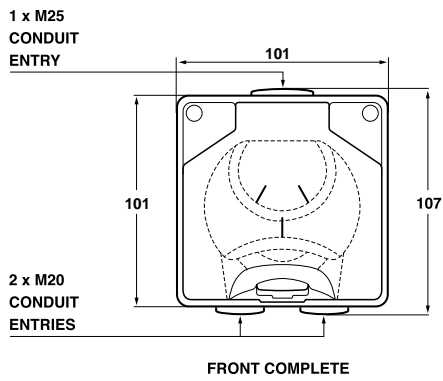


Neutral - Clipsal 56 Series

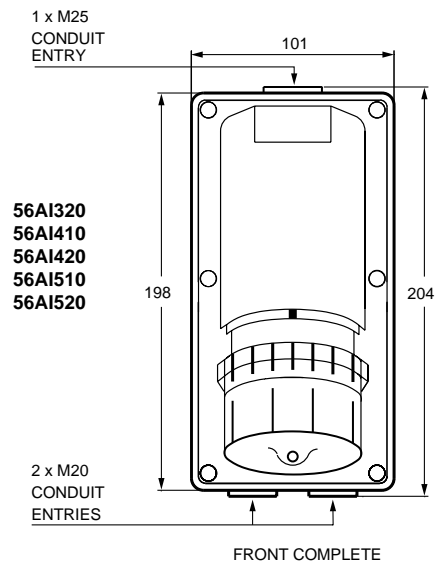
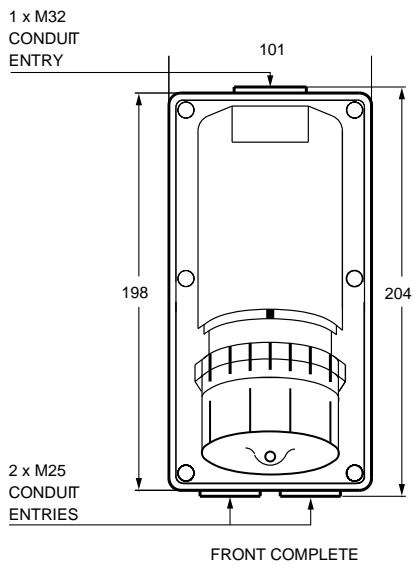
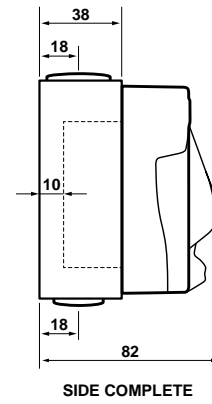
Catalogue Number	I _{the} (Amp)	Ui / Ue (Volt)	Type of socket	Cond. Term Size in mm			O/A Dims. (W) (D)	Colour	Matching plug	Socket config
				Min	Max	Cond.				
56AI310-GY	10	250	1P + N + E	[1,5,6]	107	101	82	Grey	56CSC310	A
56AI310LE-GY	10	250	1P + N + E	[1,5,6]	107	101	72	Grey	56CSC310	A
56AI315-GY	15	250	1P + N + E	[2,5,6]	107	101	82	Grey	56CSC315	B
56AI315LE-GY	15	250	1P + N + E	[2,5,6]	107	101	72	Grey	56CSC315	B
56AI320-GY	20	250	1P + N + E	[2,5,6]	204	101	138	Grey	56CSC320	H
56AI332-GY	32	250	1P + N + E	[6,16]	204	101	165	Grey	56CSC332	I
56AI410-GY	10	500	3P + E	[1,5,6]	204	101	138	Grey	56CSC410	K
56AI432-GY	32	500	3P + E	[6,16]	204	101	165	Grey	56CSC432	N
56AI532-GY	32	500	3P + N + E	[6,16]	204	101	165	Grey	56CSC532	S
56AI550-GY	50	500	3P + N + E	[10,16]	204	101	165	Grey	56CSC550	U
56AI550LE-GY	50	500	3P + N + E	[10,16]	204	101	102	Grey	56CSC550	U
56AI310-RA*	10	250	1P + N + E	[1,5,6]	107	101	82	Grey	56CSC310	A

* RA colour is Resistant Army colour (green)

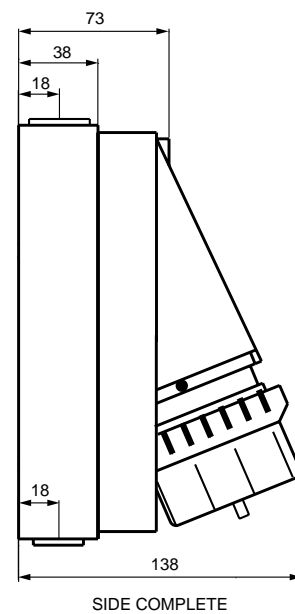
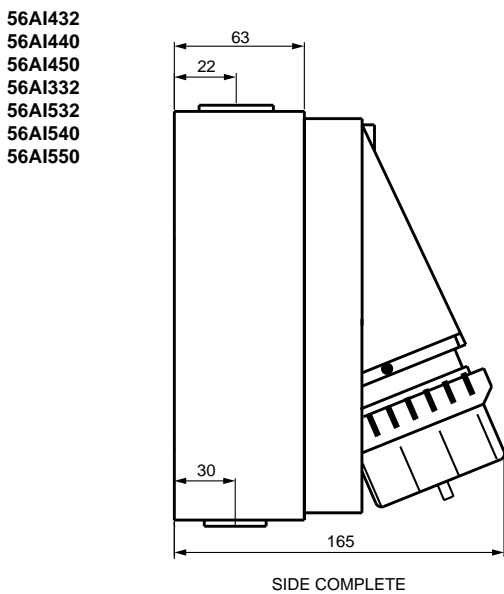
Dimensions (mm)



56AI310
56AI315



56AI320
56AI410
56AI420
56AI510
56AI520



Plugs

The 56 Series range of plugs and connectors has a proud history for being the toughest and most trusted industrial switchgear on the market.

Built tough to last, the plastics used to manufacture the 56 Series range are industrial grade resins with high impact strength, UV protection, and chemical resistance.

Pin configurations for plugs, sockets, and switched socket outlets comply with three-phase AS/NZS3123, single-phase AS/NZS3112.

The introduction of transparent materials to the 56 Series Electric Orange and Grey range enables the inspection and checking of the component's pin/socket configuration and wiring at a glance, while still providing protection against the elements.

Single-Phase Plugs



Neutral - Clipsal 56 Series

Catalogue Number	Rated Current	Rated Voltage	Pin Description	Conductor Terminal mm ²	Cable Nominal Dia.	Colour	Pin Configuration	Gland Nut Thread
	(A)	(V)		Min / Max	Min / Max			
56P215/32-GY	15	32	POLARISED	[1.5,1.5]	[7,10]	Grey	E	M20
56P3/110-GY	10	110	1P + N + E	[0.75,1]	[7,10]	Grey	H	M20
56P310-GY	10	250	1P + N + E	[0.75,1]	[7,10]	Grey	A	M20
56P310RP-GY	10	250	1P + N + E	[0.75,1]	[7,10]	Grey	G	M20
56P310SL-GY	10	250	1P + N + E	[0.75,1]	[7,10]	Grey	F	M20
56P315-GY	15	250	1P + N + E	[1.5,1.5]	[7,10]	Grey	B	M20
56P320-GY	20	250	1P + N + E	[1,6]	[7,16]	Grey	Q	56AM25
56P320F-GY	20	250	1P + N + E	[1,6]	[10,17.5]	Grey	C	M20
56P332-GY	32	250	1P + N + E	[2.5,25]	[9,29]	Grey	I	56AM40
56P210-EO	10	250	1P + N	[0.75,1]	[7,10]	Orange	D	M20
56P215/32-EO	15	32	POLARISED	[1.5,1.5]	[7,10]	Orange	E	M20
56P3/110-EO	10	110	1P + N + E	[0.75,1]	[7,10]	Orange	H	M20
56P310-EO	10	250	1P + N + E	[0.75,1]	[7,10]	Orange	A	M20
56P310RP-EO	10	250	1P + N + E	[0.75,1]	[7,10]	Orange	G	M20
56P310SL-EO	10	250	1P + N + E	[0.75,1]	[7,10]	Orange	F	M20
56P313-EO	13	250	1P + N + E	[0.75,1]	[7,10]	Orange	BS	M20
56P315-EO	15	250	1P + N + E	[1.5,1.5]	[7,10]	Orange	B	M20
56P320-EO	20	250	1P + N + E	[1,6]	[7,16]	Orange	Q	56AM25
56P320F-EO	20	250	1P + N + E	[1,6]	[10,17.5]	Orange	C	M20
56P332-EO	32	250	1P + N + E	[2.5,25]	[9,29]	Orange	I	56AM40
56PA320-EO	20	250	1P + N + E	[1,6]	[7,16]	Orange	Q	56AM25
56PA332-EO	32	250	1P + N + E	[2.5,25]	[9,29]	Orange	I	56AM40

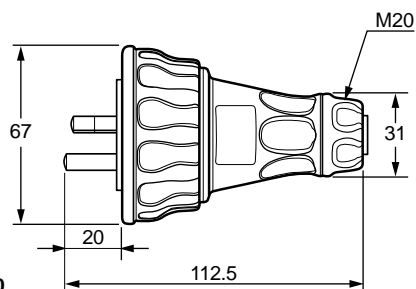
Three Phase 10 A - 20 A Plugs

Neutral - Clipsal 56 Series								
Catalogue Number	Rated Current	Rated Voltage	Pin Description	Conductor Terminal mm ²	Cable Nominal Dia.	Colour	Pin Configuration	Gland Nut Thread
	(A)	(V)		Min / Max	Min / Max			
56P410-GY	10	500	3P + E	[1,6]	[7,16]	Grey	P	56AM25
56P420-GY	20	500	3P + E	[1,6]	[7,16]	Grey	R	56AM25
56P510-GY	10	500	3P + N + E	[1,6]	[7,16]	Grey	T	56AM25
56P520-GY	20	500	3P + N + E	[1,6]	[7,16]	Grey	U	56AM25
56PA520-GY	20	500	3P + N + E	[1,6]	[7,16]	Grey	U	56AM25
56P410-EO	10	500	3P + E	[1,6]	[7,16]	Orange	P	56AM25
56P416K-EO	16	500	3P + E	[1,6]	[7,16]	Orange	S	56AM25
56P420-EO	20	500	3P + E	[1,6]	[7,16]	Orange	R	56AM25
56P510-EO	10	500	3P + N + E	[1,6]	[7,16]	Orange	T	56AM25
56P520-EO	20	500	3P + N + E	[1,6]	[7,16]	Orange	U	56AM25
56P610-EO	10	500	3P + N + E	[1,6]	[7,16]	Orange	V	56AM25
56P710-EO	10	500	3P + N + E	[1,6]	[7,16]	Orange	W	56AM25
56P720-EO	20	500	3P + N + E	[1,6]	[7,16]	Orange	X	56AM25
56PA410-EO	10	500	3P + E	[1,6]	[7,16]	Orange	P	56AM25
56PA416K-EO	16	500	3P + E	[1,6]	[7,16]	Orange	S	56AM25
56PA420-EO	20	500	3P + E	[1,6]	[7,16]	Orange	R	56AM25
56PA510-EO	10	500	3P + N + E	[1,6]	[7,16]	Orange	T	56AM25
56PA520-EO	20	500	3P + N + E	[1,6]	[7,16]	Orange	U	56AM25
56PA610-EO	10	500	3P + N + E	[1,6]	[7,16]	Orange	V	56AM25
56PA710-EO	10	500	3P + N + E	[1,6]	[7,16]	Orange	W	56AM25
56PA720-EO	20	500 V	3P + N + E	[1,6]	[7,16]	Orange	X	56AM25

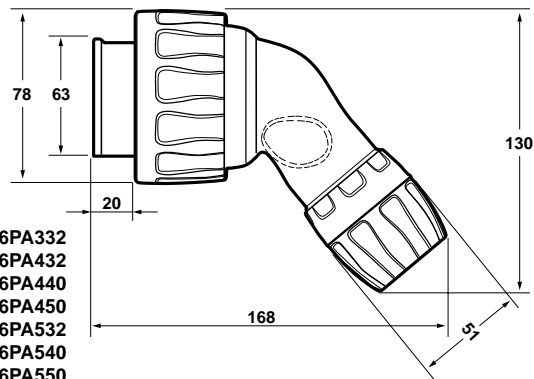
Three Phase 32 A - 50 A Plugs

Neutral - Clipsal 56 Series								
Catalogue Number	Rated Current	Rated Voltage	Pin Description	Conductor Terminal mm ²	Cable Nominal Dia.	Colour	Pin Configuration	Gland Nut Thread
	(A)	(V)		Min / Max	Min / Max			
56P432-GY	32	500	3P + E	[2,5,25]	[9,29]	Grey	J	56AM40
56P532-GY	32	500	3P + N + E	[2,5,25]	[9,29]	Grey	M	56AM40
56P540-GY	40	500	3P + N + E	[2,5,25]	[9,29]	Grey	N	56AM40
56P432-EO	32	500	3P + E	[2,5,25]	[9,29]	Orange	J	56AM40
56P440-EO	40	500	3P + E	[2,5,25]	[9,29]	Orange	K	56AM40
56P450-EO	50	500	3P + E	[2,5,25]	[9,29]	Orange	L	56AM40
56P532-EO	32	500	3P + N + E	[2,5,25]	[9,29]	Orange	M	56AM40
56P540-EO	40	500	3P + N + E	[2,5,25]	[9,29]	Orange	N	56AM40
56P550-EO	50	500	3P + N + E	[2,5,25]	[9,29]	Orange	O	56AM40
56PA432-EO	32	500	3P + E	[2,5,25]	[9,29]	Orange	J	56AM40
56PA440-EO	40	500	3P + E	[2,5,25]	[9,29]	Orange	K	56AM40
56PA450-EO	50	500	3P + E	[2,5,25]	[9,29]	Orange	L	56AM40
56PA532-EO	32	500	3P + N + E	[2,5,25]	[9,29]	Orange	M	56AM40
56PA540-EO	40	500	3P + N + E	[2,5,25]	[9,29]	Orange	N	56AM40
56PA550-EO	50	500	3P + N + E	[2,5,25]	[9,29]	Orange	O	56AM40

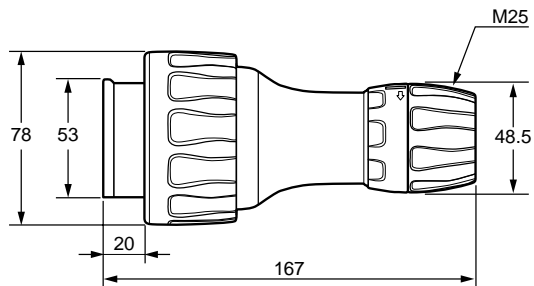
Dimensions (mm)



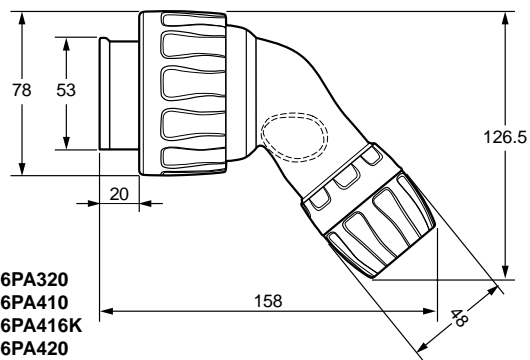
- 56P210
- 56P215/32
- 56P3/110
- 56P310RP
- 56P310
- 56P310SL
- 56P315
- 56P320F



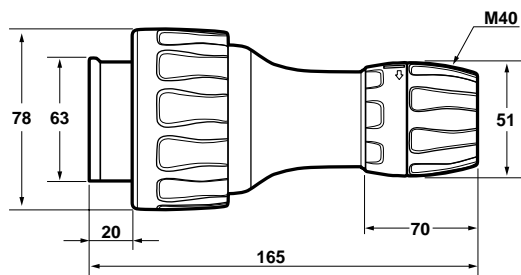
- 56PA332
- 56PA432
- 56PA440
- 56PA450
- 56PA532
- 56PA540
- 56PA550



- 56P320
- 56P410
- 56P420
- 56P510
- 56P520
- 56P416K
- 56P610
- 56P710
- 56P720



- 56PA320
- 56PA410
- 56PA416K
- 56PA420
- 56PA510
- 56PA520
- 56PA610
- 56PA710
- 56PA720



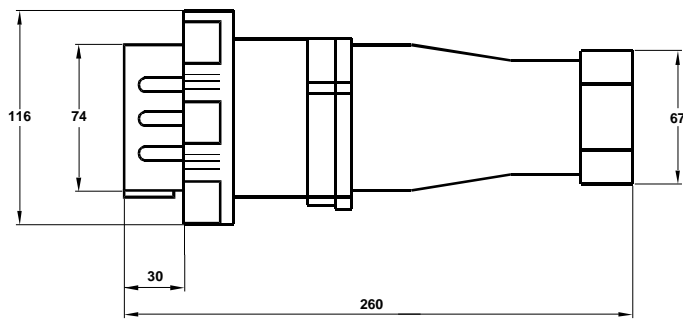
- 56P332
- 56P532
- 56P540
- 56P550
- 56P432
- 56P440
- 56P450

66 Series Plugs

Neutral - Clipsal 66 Series

Catalogue Number	Rated Current (A)	Rated Voltage (V)	Conductor Terminal mm ² Min / Max	Cable Nominal Dia. Min / Max	Colour	Entry Size (mm)
66P463-EO	63	500	[6,25]	[25.5,40]	Electric Orange	50
66P463G	63	500	[6,25]	[25.5,40]	-	-
66P463-RO	63	500	[6,25]	[25.5,40]	Orange	50
66P550-EO	50	500	[6,25]	[25.5,40]	Electric Orange	50
66P563-EO	63	500	[6,25]	[25.5,40]	Electric Orange	50
66P563G	63	500	[6,25]	[25.5,40]	-	-
66P563-RO	63	500	[6,25]	[25.5,40]	Orange	50

Dimensions (mm)



66P450
66P463
66P550
66P563
66P750
66P763

Extension Sockets and Appliance Connectors

Extension Sockets and Appliance Connectors

The 56 Series Extension Socket/Appliance Connector range is an important design breakthrough. It provides a common unit for both cord extension socket and appliance connector applications.

All connectors have impact-resistant, UV-stabilised mouldings. The IP66 rating can be achieved when extension sockets or connectors are used in conjunction with compatible accessories such as 56P Plugs, 56PA Plugs, and 56AI Appliance Inlets.

The IP66 rated units feature a flap, which maintains the International Protection Rating when the accessory is not being used.

Flap is not provided as standard with smaller single-phase extension sockets.

The 56AM25 Adapter suits 25 mm cable and conduit glands, and is suitable on 10 A and 20 A units (three-phase).

The 56AM40 Adapter suits 40 mm cable and conduit glands, and is suitable on 32 A and 50 A units (three-phase).

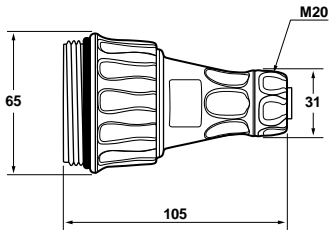


Neutral - Clipsal 56 Series

Catalogue Number	Rated Current (A)	Rated Voltage (V)	Conductor Terminal mm ² Min./Max	Cable Nominal Dia. Min./Max	Socket Description	Pin Configuration	Gland Nut Thread	Matching Straight	Matching Angled Plug	Colour
56CSC310-EO	10	250	[0.75,1.5]	[7,16]	1P + N + E	A	M20	56P310-EO	-	Electric Orange
56CSC315-EO	15	250	[0.75,1.5]	[7,16]	1P + N + E	B	M20	56P315-EO	-	Electric Orange
56CSC320-EO	20	250	[1,6]	[7,16]	1P + N + E	Q	56AM25	56P320-EO	56PA320-EO	Electric Orange
56CSC332-EO	32	250	[2.5,25]	[9,29]	1P + N + E	I	56AM40	56P332-EO	56PA332-EO	Electric Orange
56CSC410-EO	10	500	[1,6]	[7,16]	3P + E	P	56AM25	56P410-EO	56PA410-EO	Electric Orange
56CSC420-EO	20	500	[1,6]	[7,16]	3P + E	R	56AM25	56P420-EO	56PA420-EO	Electric Orange
56CSC432-EO	32	500	[2.5,25]	[9,29]	3P + E	J	56AM40	56P432-EO	56PA432-EO	Electric Orange
56CSC440-EO	40	500	[2.5,25]	[9,29]	3P + E	K	56AM40	56P440-EO	56PA440-EO	Electric Orange
56CSC450-EO	50	500	[2.5,25]	[9,29]	3P + E	L	56AM40	56P450-EO	56PA450-EO	Electric Orange
56CSC510-EO	10	500	[1,6]	[7,16]	3P + N + E	T	56AM25	56P510-EO	56PA510-EO	Electric Orange
56CSC520-EO	20	500	[1,6]	[7,16]	3P + N + E	U	56AM25	56P520-EO	56PA520-EO	Electric Orange
56CSC532-EO	32	500	[2.5,25]	[9,29]	3P + N + E	M	56AM40	56P532-EO	56PA532-EO	Electric Orange
56CSC540-EO	40	500	[2.5,25]	[9,29]	3P + N + E	N	56AM40	56P540-EO	56PA540-EO	Electric Orange
56CSC550-EO	50	500	[2.5,25]	[9,29]	3P + N + E	O	56AM40	56P550-EO	56PA550-EO	Electric Orange
56CSC310-GY	10	250	[0.75,1.5]	[7,16]	1P + N + E	A	M20	56P310-GY	-	Grey
56CSC315-GY	15	250	[0.75,1.5]	[7,16]	1P + N + E	B	M20	56P315-GY	-	Grey

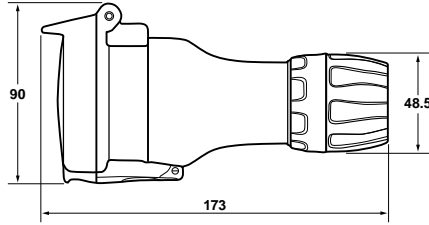
Dimensions (mm)

Single Phase small Socket



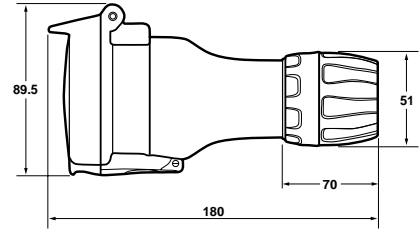
56CSC310
56CSC315

Size 1 Socket



56CSC320
56CSC410
56CSC420
56CSC510
56CSC520

Size 2 Socket



56CSC332
56CSC432
56CSC440
56CSC450
56CSC532
56CSC540
56CSC550

Pendant Outlets

Clipsal 56PO three-phase Pendant Outlets are a hanging version of the 56CSC Connectors. The Pendant Outlets range from 56PO410 to 56PO550, and all have impact-resistant UV-stabilised mouldings.

56CSC Connectors can be converted to Pendant Outlets with the use of 56SHL or 56SHM suspension hooks.

Switched Pendant Outlets

The 56 Series Switched Pendant Outlet combines performance and functionality. An IP66 rated outlet provides the ability to disconnect the supply without unplugging and from a prominent location.

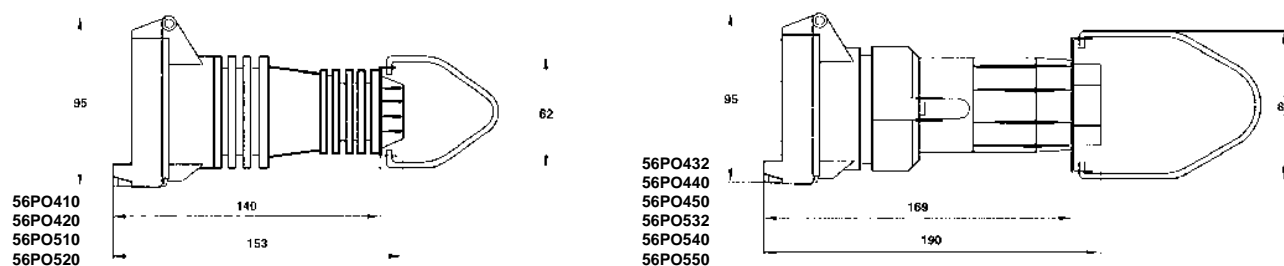
The 56SP0310 and 56SP0315 are available within this range.



Neutral - Clipsal 56 Series

Catalogue Number	Rated Current (A)	Rated Voltage (V)	Conductor Terminal mm ² Min./Max	Cable Nominal Dia. Min./Max	Socket Description	Pin Configuration	Gland Nut Thread	Matching Straight	Matching Angled Plug	Colour
56PO420-EO	20	500	[1,6]	[7,16]	3P + E	R	56AM25	56P420-EO	56PA420-EO	Electric Orange
56PO432-EO	32	500	[2.5,25]	[9,29]	3P + E	J	56AM40	56P432-EO	56PA432-EO	Electric Orange
56PO510-EO	10	500	[1,6]	[7,16]	3P + N + E	T	56AM25	56P510-EO	56PA510-EO	Electric Orange
56PO520-EO	20	500	[1,6]	[7,16]	3P + N + E	U	56AM25	56P520-EO	56PA520-EO	Electric Orange
56PO532-EO	32	500	[2.5,25]	[9,29]	3P + N + E	M	56AM40	56P532-EO	56PA532-EO	Electric Orange
56PO550-EO	50	500	[2.5,25]	[9,29]	3P + N + E	O	56AM40	56P550-EO	56PA550-EO	Electric Orange
56SPO310-RW	10	250	[0.75,2.5]	[7,10]	1P + N + E	A	M20	56P310	-	White
56SPO315-RW	15	250	[0.75,2.5]	[7,10]	1P + N + E	B	M20	56P315	-	White

Dimensions (mm)



Special Combinations and Modules

A poorly maintained appliance, a frayed cord, wet hands or carelessness with power tools are all situations that can lead to tragedy. To help avoid electrocution in industrial environments, 56 series has a range of combination switched sockets with inbuilt RCD protection. The RCD works by constantly monitoring and comparing the current flow in both the Active and Neutral circuits of an electrical installation.

During normal operation, these Active and Neutral currents are in balance. However, if current flows to Earth, an imbalance is created in these circuits. If this imbalance is sufficient (30 mA), the RCD will cut the electrical supply in less than 40 milliseconds, perhaps the most important fraction of a second in someone's life. Apart from the protection from electrocution that an RCD offers, it will also cut off power to expensive electrical equipment in the event of an electrical fault to Earth.

The 56 series Combination Switched Sockets with RCD protection enable quick disconnection of power in the case of an emergency and provide motor rated isolation. A neon is standard on all models to indicate that the RCD is protecting the outlet. If the neon is not illuminated, the RCD has tripped and no power is available from the socket. The internal phase connections between switches and sockets are factory wired.

The 56RC provides stand alone protection or multiple protection of socket outlets in a modular IP66 Series Enclosure.

The RCD used in Clipsal 56 Series Modules only helps protect against shocks from current passing through the body to Earth.

Complete protection under all circumstances is not possible from this or any other device.

Single Phase Residual Current Device



56RCLE-GY



56RC-GY

Neutral - Clipsal 56 Series												
Catalogue Number	No. of Switch Poles	I_{the} (Amp)	U_i / U_e (Volt)	Voltage Parameters		Prospective Short	Cond. Term Size in mm	O/A Dimensions			Colour	
				Min (V)	Max (V)			Circuit Current 33 kA for 40 mS	Min	Max / Cond. (H)		(W)
56RC-GY	2 Pole 30 mA 1 Phase RCD	20	250	190	260	Unit must be protected by 20 A max. MCB	[1,10]	101	101	101	Grey	
56RCLE-GY	2 Pole 30 mA 1 Phase RCD	20	250	190	260	Unit must be protected by 20 A max. MCB	[1,10]	101	101	101	Grey	
56RCLE-RA	2 Pole 30 mA 1 Phase RCD	20	250	190	260	Unit must be protected by 20 A max. MCB	[1,10]	101	101	101	Green	

RCD Protected Socket Outlets

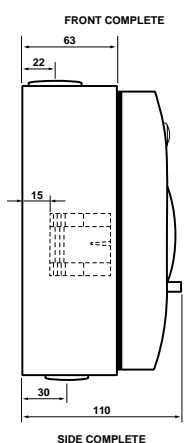


56C532RC

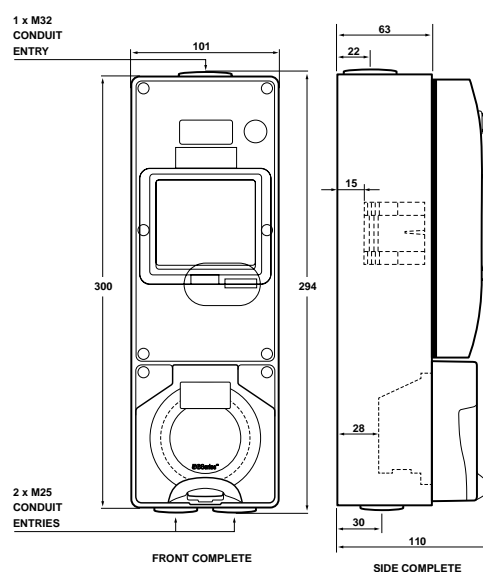
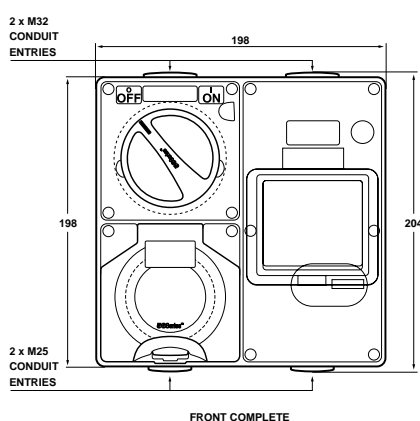
Neutral - Clipsal 56 Series

Catalogue Number	I _{the} (Amp)	Ui / Ue (Volt)	Protection	Number of Gangs	Cond. Term Size in mm ²	O/A Dimensions			Matching Straight plug	Matching Angled Plug	Socket Config.	Colour
						Min	Max	Cond.				
56C310RC-GY	10	250	30 mA RCD	2 Gang	[1,6]	204	101	102	56P310	-	A	Grey
56C315RC-GY	15	250	30 mA RCD	2 Gang	[1,6]	204	101	102	56P315	-	B	Grey
56C410RC-GY	10	500	30 mA RCD	3 Gang	[1.5,16]	294	101	110	56P410	56PA410	K	Grey
56C420RC-GY	20	500	30 mA RCD	3 Gang	[1.5,16]	294	101	110	56P420	56PA420	L	Grey
56C432RC-GY	32	500	30 mA RCD	3 Gang	[4,16]	294	101	110	56P432	56PA432	N	Grey
56C510RC-GY	10	500	30 mA RCD	3 Gang	[1.5,16]	294	101	110	56P510	56PA510	Q	Grey
56C520RC-GY	20	500	30 mA RCD	3 Gang	[1.5,16]	294	101	110	56P520	56PA520	R	Grey
56C532RC-GY	32	500	30 mA RCD	3 Gang	[4,16]	294	101	110	56P532	56PA532	S	Grey
56C540RC-GY	40	500	30 mA RCD	3 Gang	[10,16]	294	101	110	56P540	56PA540	T	Grey

Dimensions (mm)



56SC410RC



56C410RC

Switched RCD Protected Socket Outlets



56SC510RC-GY

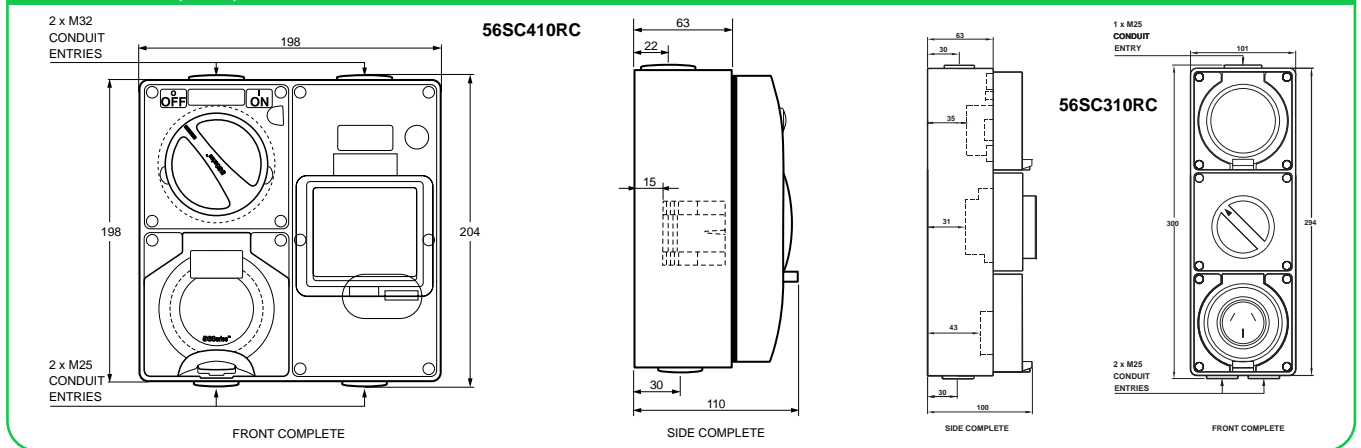


56SC310RC-GY

Neutral - Clipsal 56 Series

Catalogue Number	No. of Switch Poles	I _{the} (Amp)	Ui / Ue (Volt)	Ie (A) Utilisation Category			M Rating	Protection	Number of Gangs	Cond. Term Size in mm	O/A Dimensions			Matching Straight Plug	Matching Angled Plug	Socket Config.	Colour
				AC21A	AC23A	AC22A					Min/Max	(H)	(W)				
56SC310RC-GY	1P	10	8	10	8	8	M100	30mARCD	3 Gang	[2,5,6]	294	101	100	56P310	-	A	Grey
56SC315RC-GY	1P	15	8	15	8	8	M100	30mARCD	3 Gang	[2,5,6]	294	101	100	56P315	-	B	Grey
56SC410RC-GY	3P	10	10	10	10	10	M100	30mARCD	4 Gang	[1,5,16]	204	204	135	56P410	56PA410	K	Grey
56SC420RC-GY	3P	20	20	20	20	20	M100	30mARCD	4 Gang	[1,5,16]	204	204	135	56P420	56PA420	L	Grey
56SC432RC-GY	3P	32	32	32	32	20	M100	30mARCD	4 Gang	[4,16]	204	204	135	56P432	56PA432	N	Grey
56SC510RC-GY	3P	10	10	10	10	10	M100	30mARCD	4 Gang	[1,5,16]	204	204	135	56P510	56PA510	Q	Grey
56SC520RC-GY	3P	20	20	20	20	20	M100	30mARCD	4 Gang	[1,5,16]	204	204	135	56P520	56PA520	R	Grey
56SC532RC-GY	3P	32	32	32	32	20	M100	30mARCD	4 Gang	[4,16]	204	204	135	56P532	56PA532	S	Grey
56SC540RC-GY	3P	40	40	40	40	20	M100	30mARCD	4 Gang	[10,16]	204	204	135	56P540	56PA540	T	Grey

Dimensions (mm)



Portable Combined Switched Sockets with RCD

Ruggedly constructed, these portable units feature an easy to carry handle, a hanging facility for builders' poles and three metres of heavy-duty flexible cord.

Neutral - Clipsal 56 Series

Catalogue Number	No. of Phases	I _{the} (Amp)	Ui / Ue (Volt)	Protection	O/A Dimensions			Matching Straight Plug	Socket Type	Socket Config.	Colour
					(H)	(W)	(D)				
56SO4ELP15-GY	1	15	250	30mARCD	243	294	105	56P315	3 Flat Pins	B	Grey

Combination Switched Sockets and 24 Hour Timer

The 56 Series combinations with a timer have been specially developed for swimming pool applications. Both manual and automatic switching are provided. When manual switching is desired, the time clock is overridden, allowing the unit to be operated as required.

The 24 hour timer has been expressly designed for Australian conditions.

All units are supplied with a Clipsal 439 PVC Plug and Clipsal 437PR Weatherproof Ring for each socket outlet.

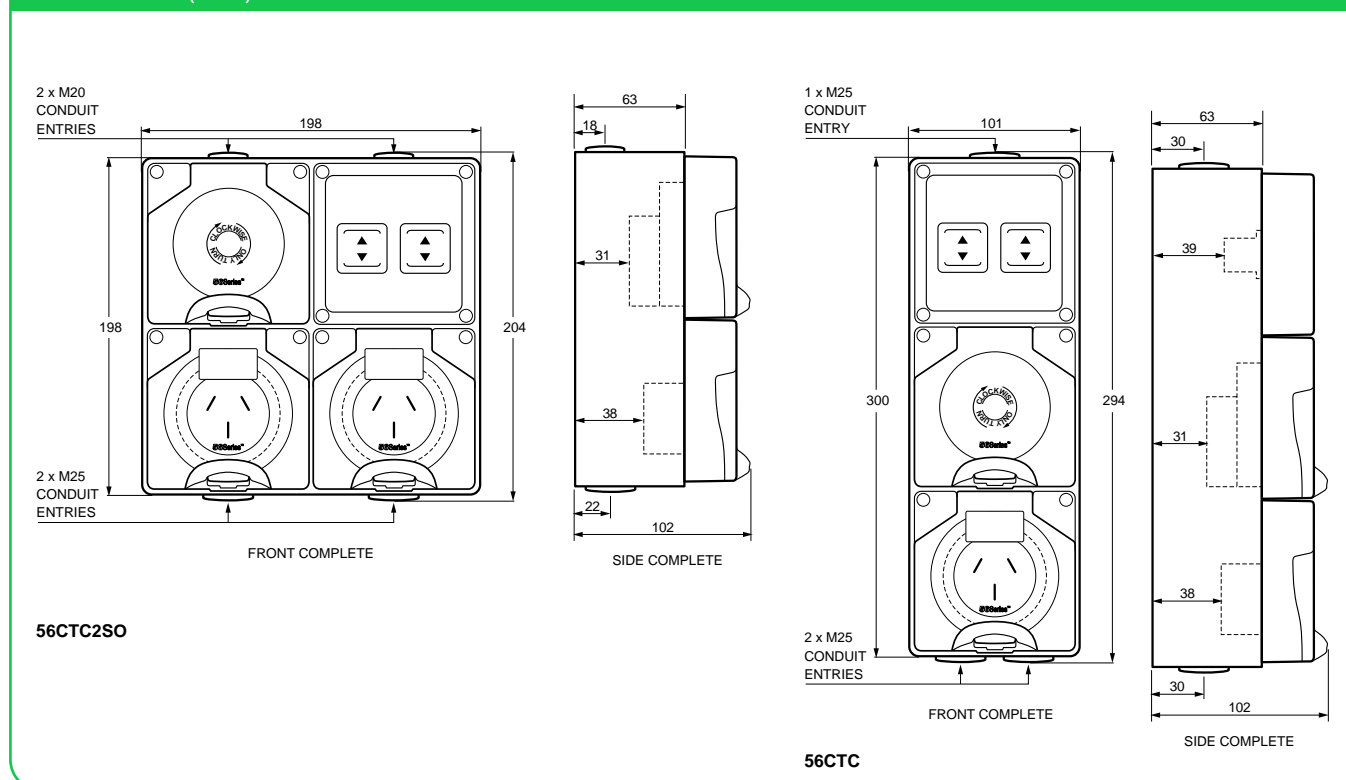
Ruggedly constructed, these portable units feature an easy to carry handle, a hanging facility for builders' poles and three metres of heavy-duty flexible cord.



Neutral - Clipsal 56 Series

Catalogue Number	No. of Switch Poles	I _{the} (Amp)	U _i / U _e (Volt)	Type of Socket	Cond. Term Size in mm ²		O/A Dimensions			Matching Plug Socket Config.	
					Min	Max / Cond.	(H)	(W)	(D)		
56CTC15-GY	1P	15	250	1P + N + E	[2,5,6]		294	101	102	56P315	B
56CTC2SO-GY	1P	10	250	1P + N + E	[2,5,6]		294	294	102	56P310	A
56CTC-GY	1P	10	250	1P + N + E	[2,5,6]		294	101	102	56P310	A
56CTCLE-GY	1P	10	250	1P + N + E	[2,5,6]		294	101	0	56P310	A

Dimensions (mm)



Push Button Timers



56PB10T-GY

Neutral - Clipsal 56 Series

Catalogue Number	No. of Switch Poles	I_{the} (Amp)	U_i / U_e (Volt)	Type of Switching	Max control link cable length	O/A Dimensions			Connectivity
						(H)	(W)	(D)	
56PB10T-GY	1P	15A / 10AX	240	Relay	50m	101	101	77	Control Link / BLE
56PB10TLE-GY	1P	15A / 10AX	240	Relay	50m	101	101	77	Control Link / BLE

Mounting Enclosures (Lids & Back Boxes)

All 56 Series Mounting Back Boxes are moulded in UV stabilised rigid PVC to facilitate glueing of fittings for conduit entry. Ample conduit and cable entries are provided and there is plenty of wiring room for easy installation.

All screwed conduit entries are provided with plugs. The multigang enclosures feature moulded bridges between modules to help ensure switches and sockets sit flush on a continuous surface. Moulded dividers are also available for multigang boxes to segregate services and are standard with 4, 6, 8, 9 and 16 gang enclosures.

Each enclosure has a number of mounting points and 220/10 Sealing Plugs are provided to double insulate mounting screw heads and help ensure the IP rating.

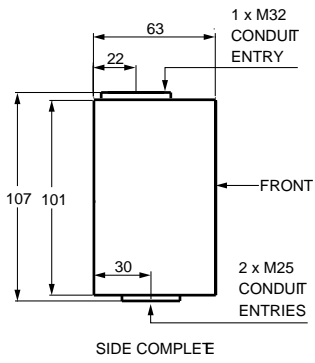
Moulded gaskets are supplied with switch and socket modules.



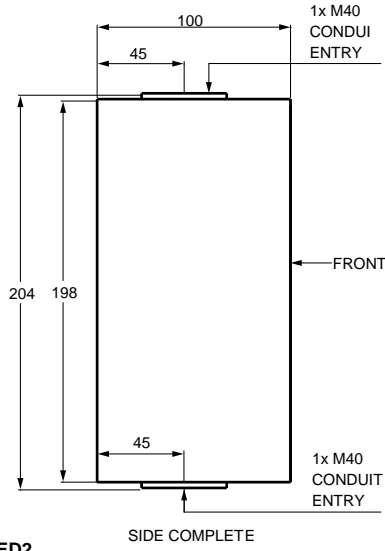
Neutral - Clipsal 56 Series

Catalogue Number	No. of Gangs	O/A Dimensions			Matching Points	No. of Conduit Entries (mm)	Cut-out Provision (mm)	Colour	Bridges	Dividers
		(H)	(W)	(D)						
56E1-GY	1	102	102	63	8	2 x 25 - 1 x 32	1 x 25/32	Grey	0	0
56ES1-GY	1 Shallow	102	102	40	4	2 x 25 - 1 x 32	1 x 20/25	Grey	0	0
56E2-GY	2	198	102	63	8	2 x 25 - 1 x 32	1 x 25, 1 x 32	Grey	1	0
56E2BLANK-GY	2	198	102	63	8	0	1 x 25, 1 x 32	Grey	0	0
56ES2-GY	2 Shallow	198	102	40	4	2 x 25 - 1 x 32	2 x 20/25	Grey	1	0
56ED2-GY	2 Deep	198	102	100	8	3 x 40	1 x 25, 1 x 32	Grey	1	0
56EV2/225-GY	2 Vertical	110	145	110	0	2 x 25	0	Grey	0	0
56EV2-GY	2 Vertical	110	145	110	0	2 x 25 - 1 x 32	0	Grey	0	0
56EV2/32-GY	2 Vertical	110	145	110	0	1 x 32	0	Grey	0	0
56E3-GY	3	294	102	63	16	2 x 25 - 1 x 32	2 x 25, 1 x 32	Grey	2	0
56E4-GY	3	198	198	63	16	2 x 25 - 4 x 32	2 x 25, 1 x 32, 1 x 40	Grey	2	2
56E4VH-GY	4 Vertical	396	102	63	16	1 x 25 - 1 x 32	2 x 25, 1 x 32, 1 x 40	Grey	3	0
56E6-GY	6	296	198	63	24	2 x 25 - 2 x 32	2 x 25, 2 x 32, 2 x 40	Grey	3	4
56E8-GY	8	396	198	63	28	2 x 25 - 2 x 32	4 x 25, 2 x 32, 2 x 40	Grey	4	6
56E9-GY	9	296	296	63	28	3 x 25 - 2 x 32	4 x 32, 2 x 32, 2 x 40	Grey	6	6
56E16-GY	16	396	396	63	48	4 x 32 - 4 x 40	6 x 25, 6 x 32, 4 x 40	Grey	8	12

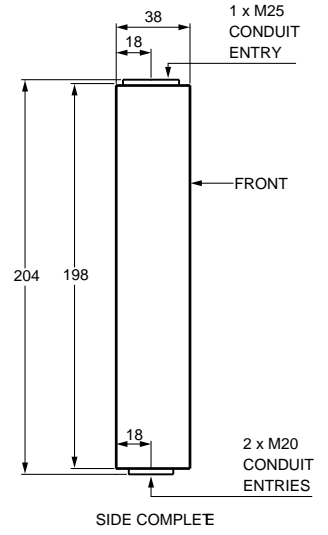
Dimensions (mm)



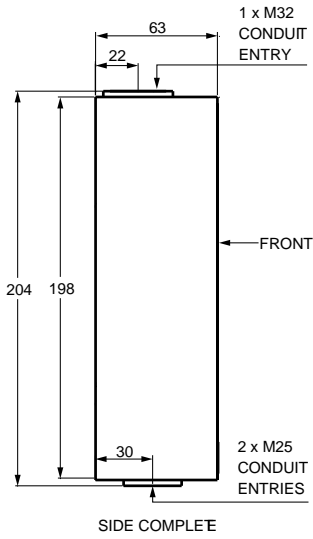
56E1



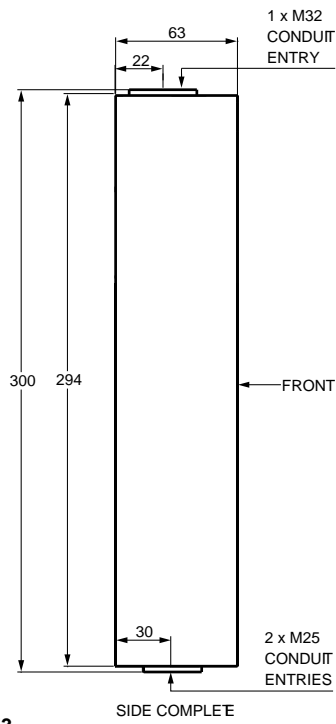
56ED2



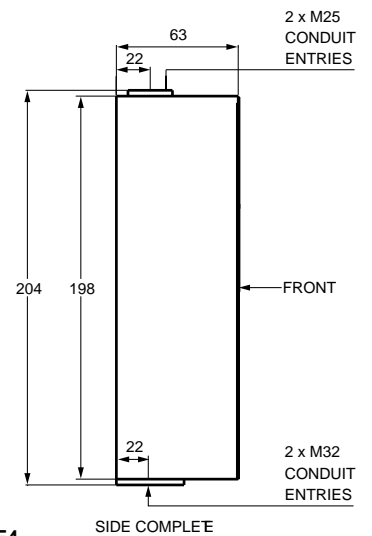
56ES2



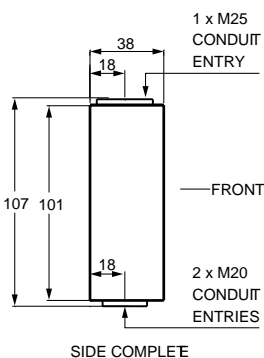
56E2



56E3

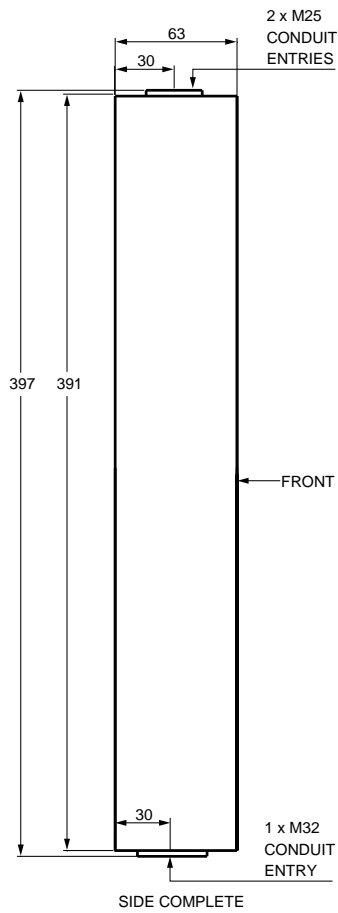


56E4

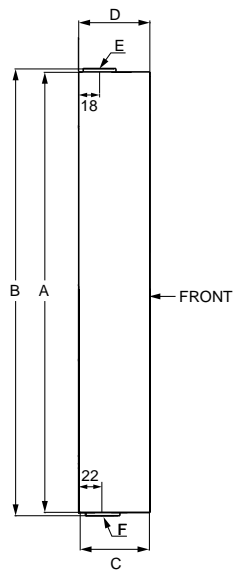


56ES1

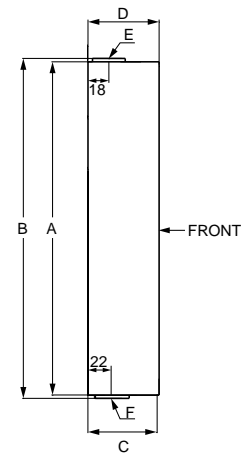
Dimensions (mm)



56E4VH

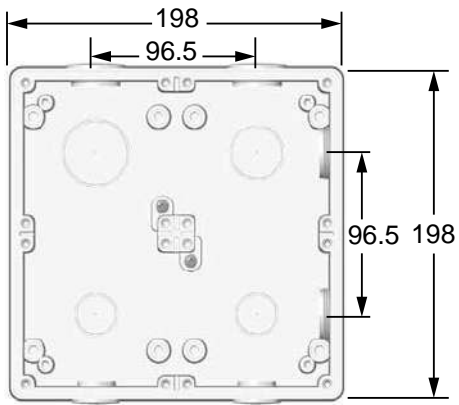


56E8, 56E16

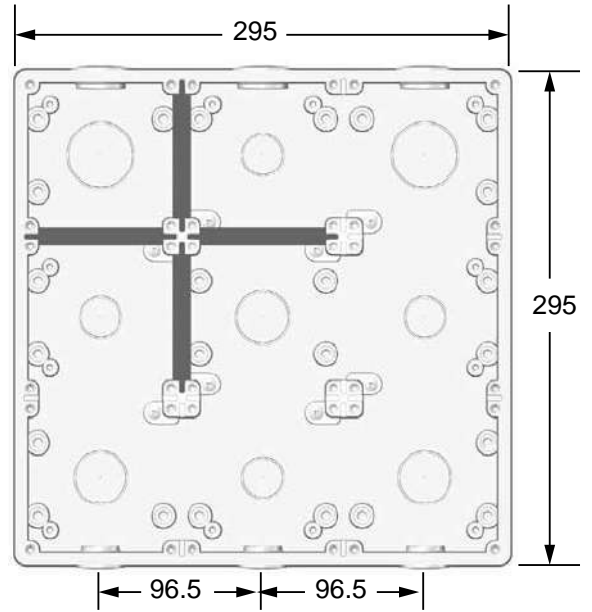


56E6, 56E9

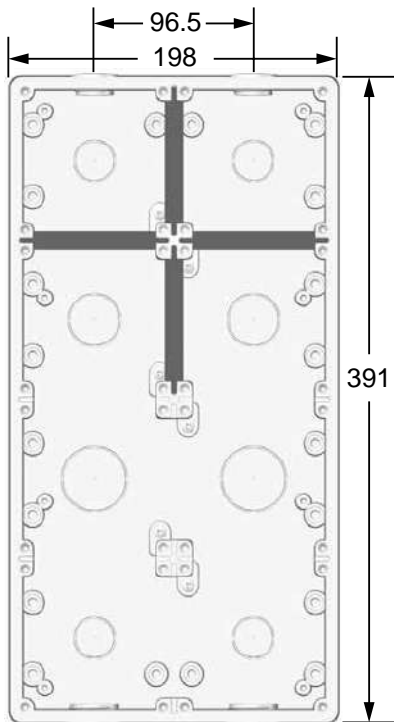
Catalogue Number	No. Gangs	Dimensions(mm)				Conduit Entries		Cut Out Provisions			56 DV Dividers	56B Bridges	Mounting Points
		A	B	C	D	E	F	G	H	I			
56E6	6	294	300	198	63	2 x M25	2 x M32	25	32	40	4	3	24
56E8	8	392	398	198	63	2 x M25	2 x M32	25	32	40	6	4	28
56E9	9	294	300	294	63	3 x M25	3 x M32	25	32	40	6	6	28
56E16	16	392	398	392	63	2 x M25	2 x M32	25	32	40	12	8	48



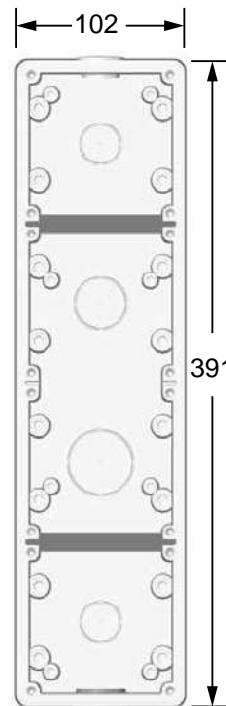
56E4-GY



56E9-GY



56E8-GY



56E4VH-GY

Mounting Enclosure Lids (Covers)

- Mounting enclosure lids are moulded in UV stabilised polycarbonate.
- All are 28 mm high and supplied complete with sealing gasket.
- One gang, 28 mm high lids are also available pre-drilled to accept 22 or 30.5 mm diameter IP56 rated push- buttons or indicating lights. Dimensions are identical to the 56L1.

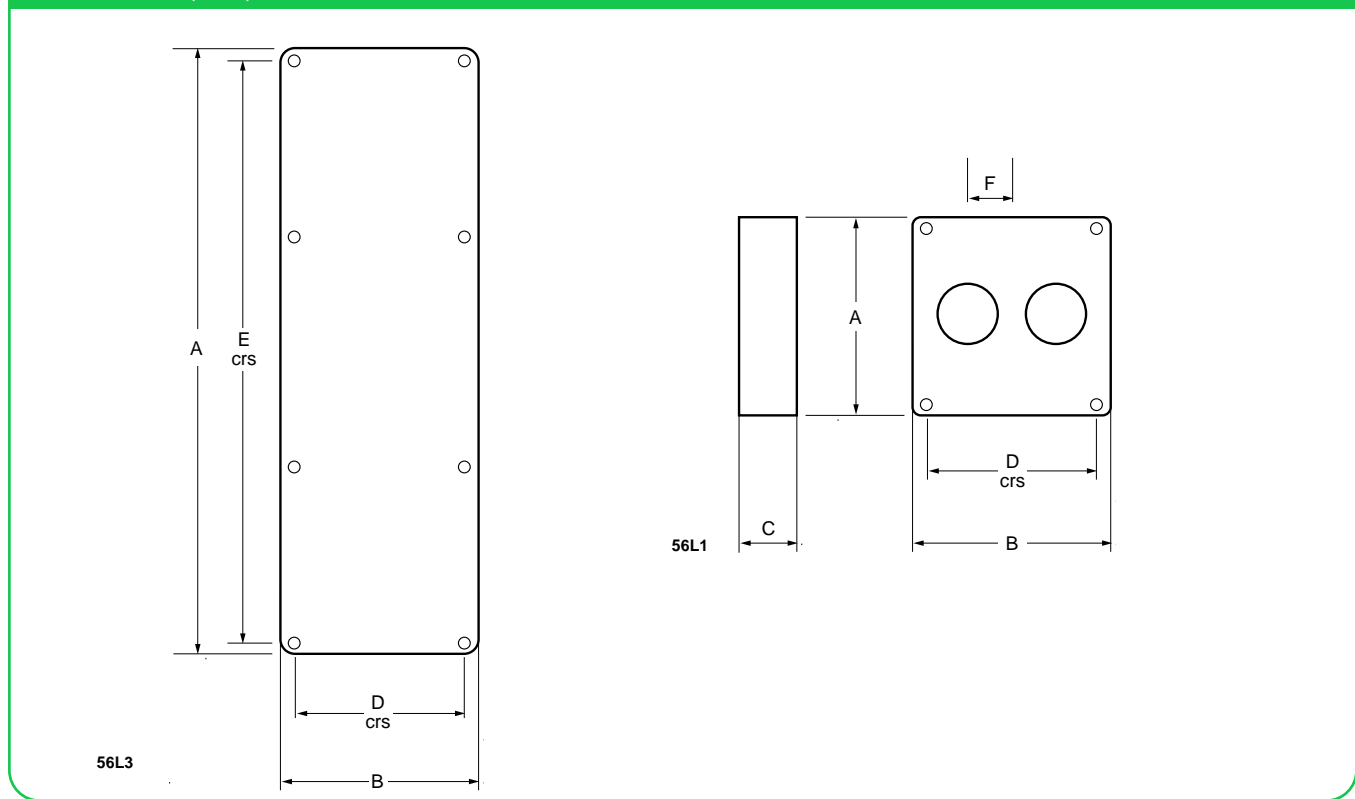


56L2-GY

Neutral - Clipsal 56 Series

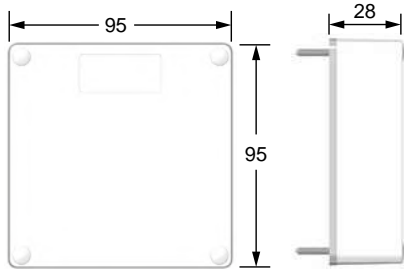
Catalogue Number	No. of Gangs	O/A Dimensions						Pre Drilled Hole Diameter (mm)	Hole Quantity	Colour
		A	B	C	D	E	F			
56L1-GY	1	95	95	28	84	84	-	-	-	Grey
56L2-GY	2	192	95	28	84	181	-	-	-	Grey
56L2-TR	2	192	95	28	84	181	-	-	-	Transparent
56L3-GY	3	288	95	28	84	277	-	-	-	Grey
56L4-GY	4	192	192	28	181	181	-	-	-	Grey
56L1/22/2-GY	1	95	95	28	84	84	20	22	2	Grey
56L1/22-GY	1	95	95	28	84	84	-	22	1	Grey
56L1/30/2-GY	1	95	95	28	84	84	20	30	2	Grey
56L1/30-GY	1	95	95	28	84	84	-	30	1	Grey

Dimensions (mm)

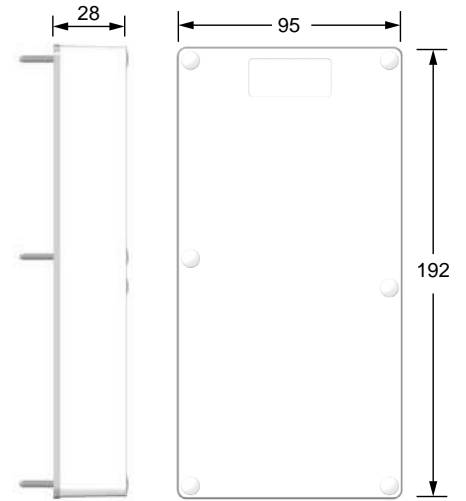


Dimensions (mm)

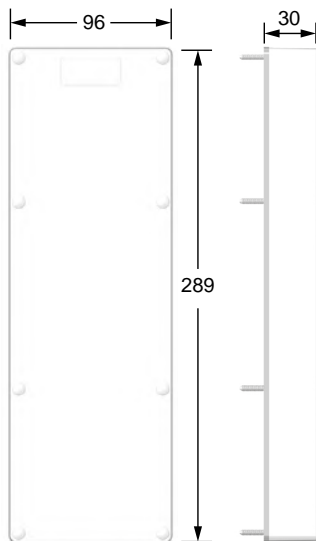
56L1-GY



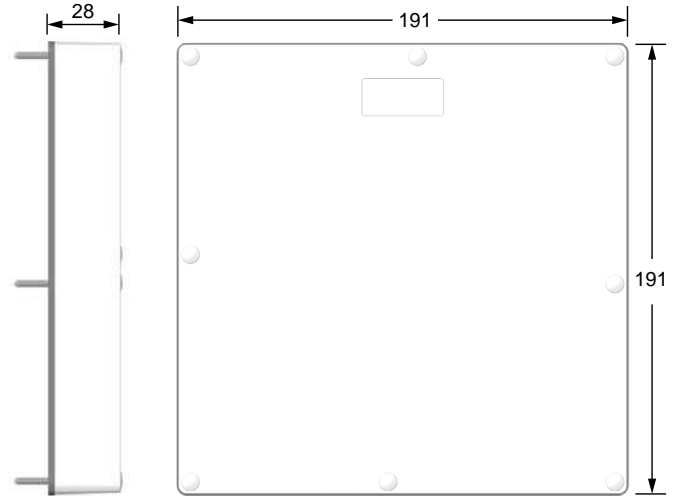
56L2-GY



56L3-GY



56L4-GY



Pendant Outlet Kits

The 56PEK25 and 56PEK32 Suspension Enclosure Kit is a two module angled enclosure with a large eye for attaching a chain. The angle feature allows for greater ease of operation while suspended. The 56PEK25 has one single 25 mm entry and the 56PEK32 has one 32 mm entry.

The suspension enclosure is angled for easier operation in commercial and industrial environments.



Neutral - Clipsal 56 Series

Catalogue Number	No. of Gangs	Description	No. of Conduit Entries (mm)	Colour	Bridges
56PEK25-GY	2	56 Series Switched Pendant Outlet Kit - 25 mm conduit entry	1 x 25	Grey	1
56PEK32-GY	2	56 Series Switched Pendant Outlet Kit - 32 mm conduit entry	1 x 32	Grey	1

Adaptable Enclosures

DIN Rail Accessory Mounting Cover Kits

The 56 Series Two Gang Cover Assemblies are moulded in hi-impact polycarbonate and feature a specially designed mounting bracket which accommodates the full range of Schneider Electric circuit breakers, RCDs, and combination MCB/RCDs.

Covers suit all 56 Series enclosures (minimum standard depth 63 mm) and are supplied with neon indicators, which can be wired from either the line or load side of the switch.

The unique 56CB4NM protective membrane, incorporated into the unit, covers MCBs, RCDs, and accessories to provide a barrier against dust and water, including wet hands when the flap is opened to reset switches.

All 56CB4 include a padlocking facility on the cover flap.

56CB4 series does not include mounting enclosure (back box), if required standard two-gang version can be ordered separately using catalogue no. 56E2-GY.



56CB4-GY

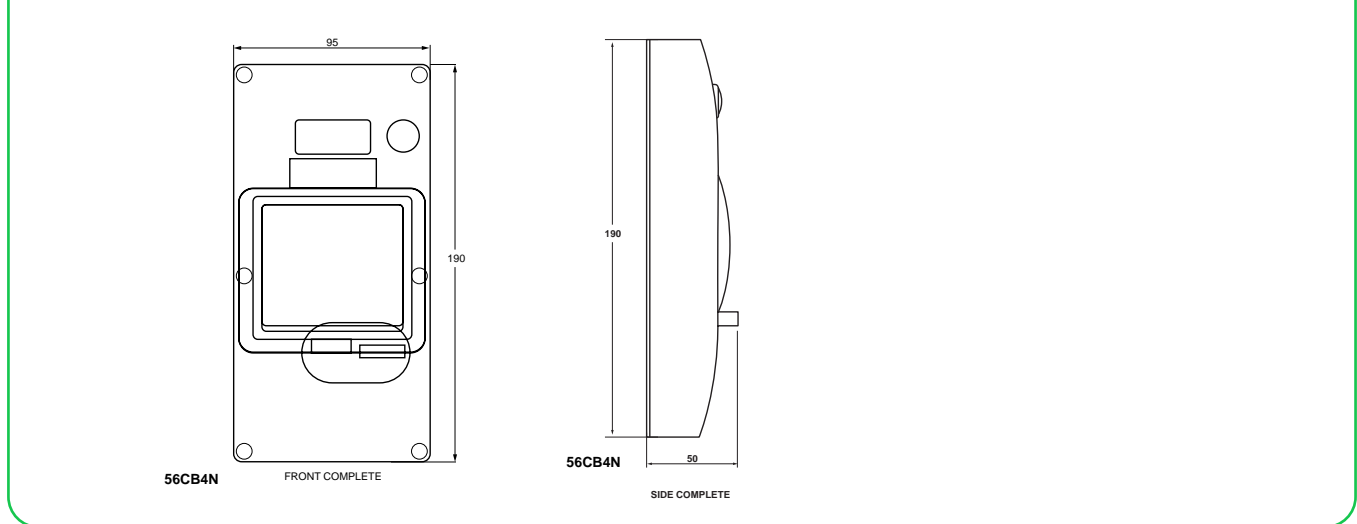


56CB4N-GY

Neutral - Clipsal 56 Series

Catalogue Number	Ui/Ue (Volt)	Neon Voltage (Volt)	Module Type	No. of Poles	Module Width	O/A Dimensions			Colour
						L (mm)	W (mm)	D (mm)	
56CB4-GY	240 / 440	240 / 415	1, 2, 3 pole MCB	4 RCD	4 Max	190	95	50	Grey
56CB4N-GY	240 / 440	240 / 415	1, 2, 3 pole MCB	4 RCD	4 Max	190	95	50	Grey
56CB4NM-GY	240 / 440	240 / 415	1, 2, 3 pole MCB	4 RCD	4 Max	190	95	50	Grey

Dimensions (mm)



Adaptable Enclosures



56M41-GY



56M42-GY

Neutral - Clipsal 56 Series

Catalogue Number	No. of Gangs	No. of Mounting points	Cut Outs	O/A Dimensions			Colour	Compatibility
				(H)	(W)	(D)		
56/32-GY	1	4	2	101	101	77	grey	Clipsal 30 Mech
56/32LE-GY	1	-	2	101	101	40	grey	Clipsal 30 Mech
56/01X-GY	1	4	-	101	101	77	grey	-
56/01XLE-GY	1	-	-	101	101	40	grey	-
56M41-GY	1	4	1	101	101	77	grey	Clipsal 40 Module
56M41LE-GY	1	4	1	101	101	40	grey	Clipsal 40 Module
56M42-GY	1	4	2	101	101	77	grey	Clipsal 40 Module
56M42LE-GY	1	4	2	101	101	40	grey	Clipsal 40 Module

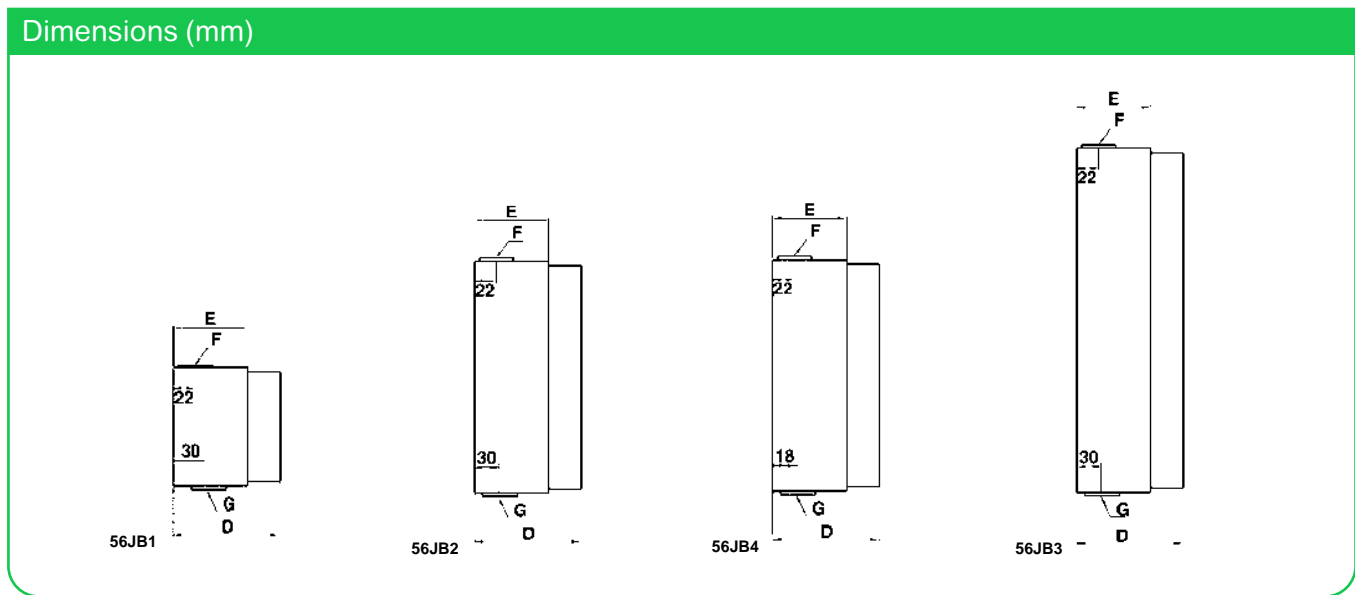
Junction Boxes

The 56 Series Junction Boxes are designed for industrial environments. They are supplied complete with Earth and Neutral connectors for up to 3 x 6 mm² cables and sealing gasket.

The 25 mm and 32 mm screwed conduit entries and sealing plugs are provided, as per the cable entry cut outs in the back.



Neutral - Clipsal 56 Series						
Catalogue Number	No. of Gangs	Cut Outs	O/A Dimensions			Colour
			(H)	(W)	(D)	
56JB1-GY	1	1 x 25/32	101	101	91	Grey
56JB1SWA-GY	1	3 x 20	101	101	91	Grey
56JB2-GY	2	1 x 25, 1 x 32	198	101	91	Grey
56JB3-GY	3	2 x 25, 1 x 32	294	101	91	Grey
56JB4-GY	4	2 x 25, 1 x 32, 1 x 40	294	294	91	Grey



56 Series Distribution Board

The 56 Series Distribution Board is available in a fully modular design that lets you mix and match from 2 to 16 gangs, with an IP66 rating. You can make your own switchboard by fixing module devices together.

Features

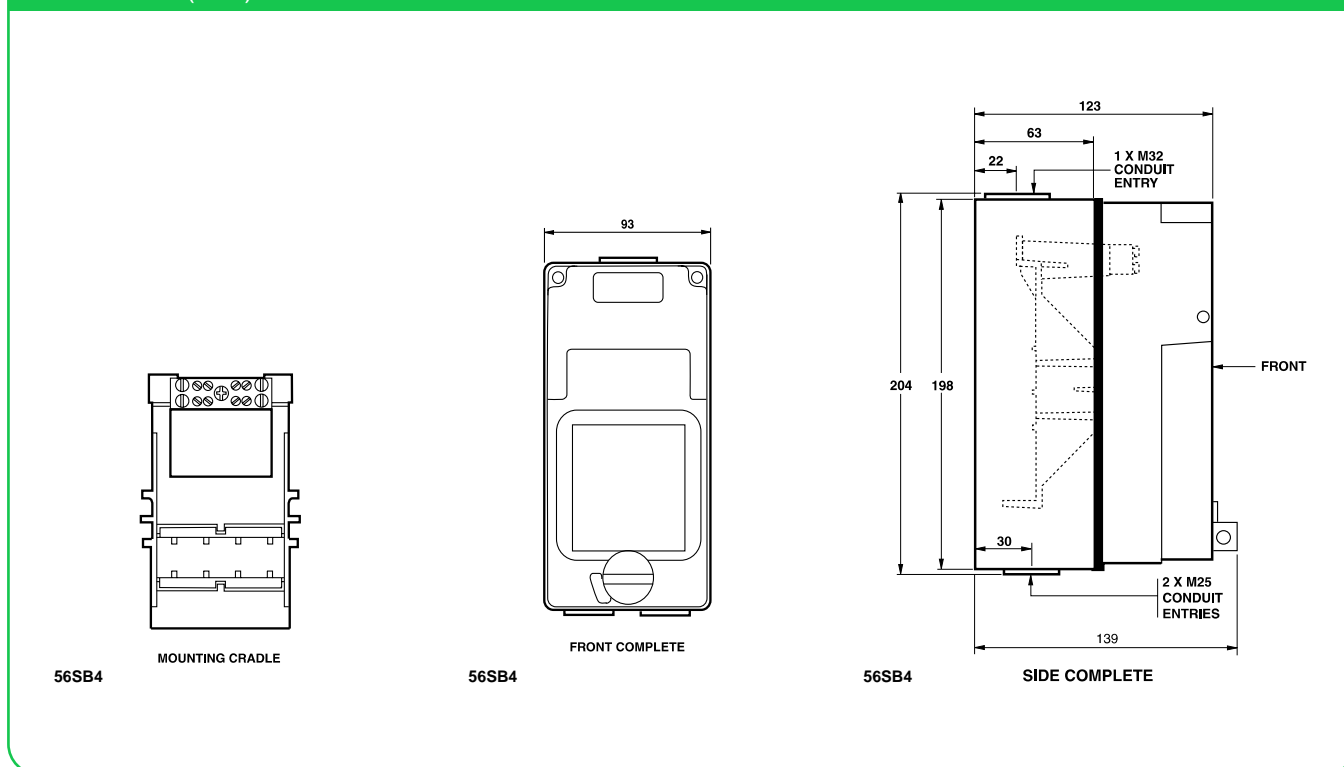
- 4 and 13 modules wide to suit DIN Rail RCDs, MCBs, MCB/RCD and accessories.
- Deep cover for ample wiring room above and below the DIN rail.
- Solid damage resistant cover.
- Cover latches open for easy maintenance.
- Space above MCBs to accept locking off and padlocking accessories.
- IPA identification drill outs.
- Time saving drop in cradle for easier cable installation on 56SB4.



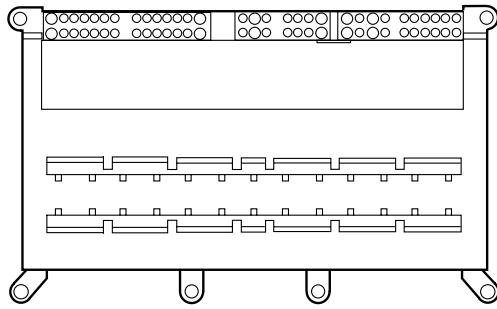
Neutral - Clipsal 56 Series

Catalogue Number	Ui/Ue (Volt)	Module Type	No. of Poles	Module Width	O/A Dimensions			Colour
					L (mm)	W (mm)	D (mm)	
56SB4-GY	240 / 440	1, 2, 3 pole MCB	4 RCD	4 Max	204	101	139	Grey
56CB13-GY	240 / 440	1, 2, 3 pole MCB	4 RCD	13 Max	295	198	123	Grey

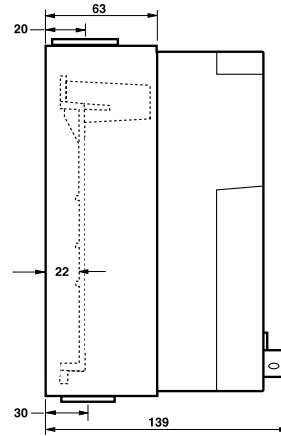
Dimensions (mm)



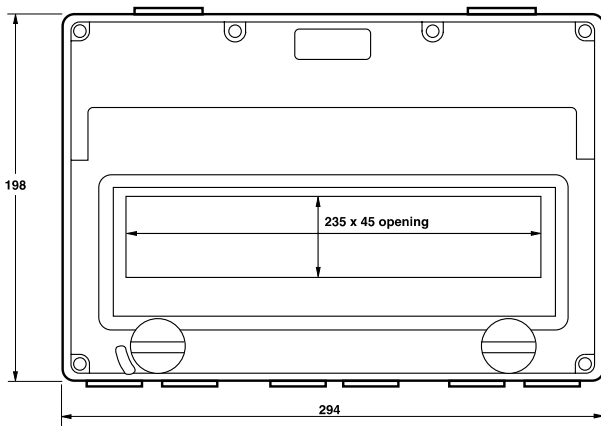
Dimensions (mm)



MOUNTING PLATE



SIDE COMPLETE



FRONT COMPLETE

Adaptable Enclosures and Covers

The 56 Series Adaptable Enclosures are supplied complete with gear tray to mount control equipment, contactors, relays, time switches, transformers, etc.

Transparent deep lids (covers), sealing screws, and gasket are standard.

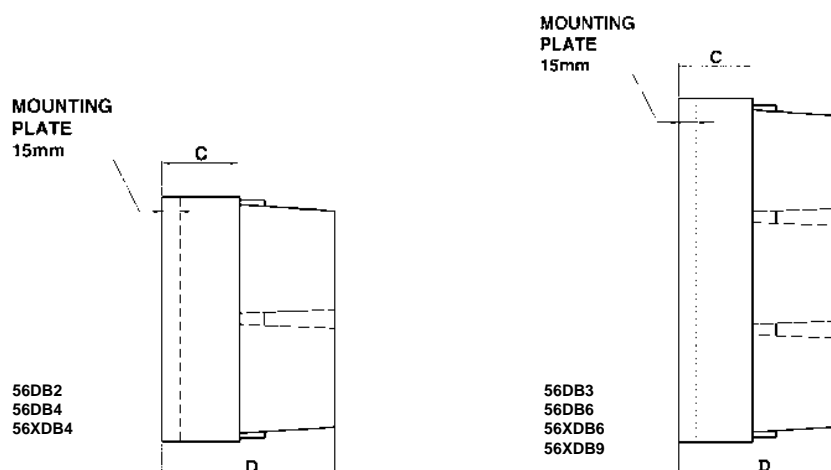
Gear trays have eight mounting points. Impact resistant and UV stabilised, the backbox and gear tray are moulded in PVC and the lid in polycarbonate.



Neutral - SE 56 Series

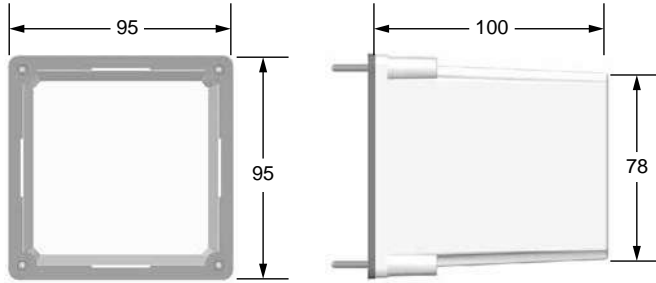
Catalogue Number	No. of Gangs	No. of mounting points	Cut Outs	O/A Dimensions			Colour
				(H)	(W)	(D)	
56DB2-EO	2 with gear tray	8	240 V / 415 V	198	101	140	Orange / Transparent
56DB2-GY	2 with gear tray	8	1 x 25, 1 x 32	198	101	140	Grey
56DB3-GY	3 with gear tray	12	2 x 25, 1 x 32	294	101	140	Grey
56DB4-GY	4 with gear tray	16	2 x 25, 1 x 32, 1 x 40	198	198	140	Grey
56DB6-GY	6 with gear tray	24	2 x 25, 2 x 32, 2 x 40	198	294	140	Grey
56DB6BASE-GY	6	24	2 x 25, 2 x 32, 2 x 40	294	198	63	Grey
56XDB1-GY	1	4	1 x 25, 1 x 20	101	101	165	Grey
56XDB4-GY	4	16	2 x 25, 1 x 32, 1 x 40	198	198	182	Grey
56XDB6-GY	6	24	2 x 25, 2 x 32, 2 x 40	294	198	184	Grey
56DB2L-GY	2	-	-	192	95	78	Grey
56DB2L-TR	2	-	-	192	95	78	Transparent
56DB4L-GY	4	-	-	192	192	78	Grey
56DB4L-TR	4	-	-	192	192	78	Transparent
56DB6L-TR	6	-	-	288	192	78	Transparent
56XDB1L-GY	1	-	-	95	95	100	Grey
56XDB4L-GY	4	-	-	192	192	121	Grey

Dimensions (mm)

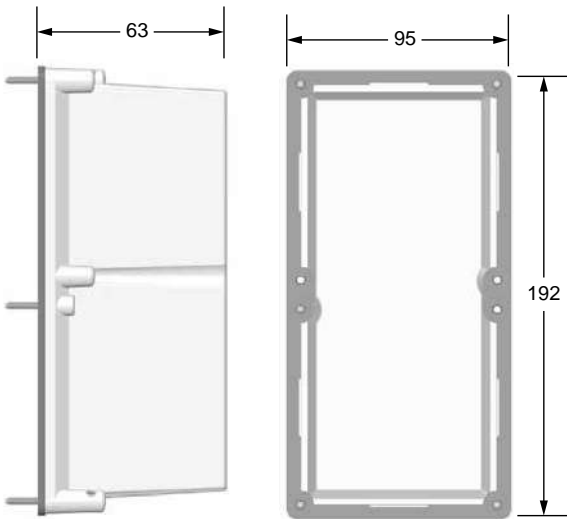


Dimensions (mm)

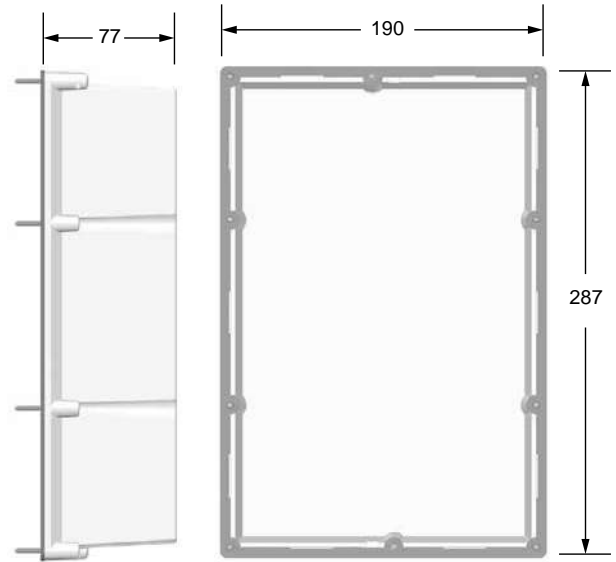
56XDB1L-GY



56DB2L-GY



56DB6L-GY



Accessories and Spare Parts

Switch, Socket, and Switched Socket Outlet Accessories

- Auxiliary Switch - 56 Series Catalogue Number 56SOAUX15 suits 415 V sockets. This switch is used to indicate if plug is connected or not.

- Auxiliary Switch - 56 Series Catalogue Number 56SWAUX15 suits 63 A switches. This switch is used to indicate if switch is 'ON' or 'OFF'.

- Single Phase Red LED Catalogue Number 56LEDK1 Field fit kits include LED on flying leads, lens, o-ring, drill bit 5.5 mm (7/32), and instructions.

- Three Phase Red, White, Blue LED Catalogue Number 56LEDK3 Field fit kits include LED on flying leads, lens, o-ring, drill bit 5.5 mm (7/32), and instructions.

- LEDs provide more reliability and extended life compared to traditional neons used in 56 Series.

- Lock for Socket Flaps - 56 Series Catalogue Number 56SOLOCK suits all products equipped with flap.



56LEDK1



56LEDK3



56SOLOCK



56SWAUX15

Neutral - Clipsal 56 Series

Catalogue Number	Description	Number of switched poles	I_{tne} (Amp)	Ui/Ue (Volt)	Cond. Term Size in mm ² Min/Max /Cond.	Colour
56SWAUX15	Auxiliary Switch - 56 Series	1P	15	250	(1.5,6)	-
56LEDK1	Single Phase Red LED	-	Up to 63	250	-	Red
56LEDK3	Three Phase Red, White, Blue LED	-	Up to 63	250/415	-	Red, Blue, white
56SOLOCK	Lock for Socket Flaps - 56 Series	-	-	-	-	-
56SOCOVER-GY	Replacement Socket Cover - 56 Series	-	-	-	-	Grey

Switch, Socket, and Switched Socket Outlet Accessories

Neutral - Clipsal 56 Series			
Catalogue Number	Description	Compatibility	Colour
56PC2-RO	56 Series Plug Cap	Single-phase (but not size 1 plugs)	Orange
56PCI-TR	56 Series Plug Cap	3 Phase 32 A + single-phase round pin	Clear
56PC-TR	56 Series Plug Cap	3 Phase 10 A - 20 A + 20 A single-phase round pin	Clear
56SC2-RO	56 Series Socket Connector Cap	[10 A, 15 A] 1P Plugs	Orange
56SHL	56 Series Suspension Hook - Large	3 Phase 32 A - 50 A	-
56AM25	56 Series Adapter Module - 25 mm	10 A - 20 A Size 1	Orange
56AM40	56 Series Adapter Module - 40 mm	32 A - 50 A Size 2	Orange
56POK	56 Series Pendant Outlet Kit - 3 Phase - 10/20 A	10 A - 20 A Size 1	-
56POKI	56 Series Pendant Outlet Kit - 3 Phase - 32/50 A	32 A - 50 A Size 2	-

Plug, Extension Socket, and Appliance Connector Accessories

The 56 series 56SHM and 56SHL Suspension Hooks enable three-phase 56CSC Series Industrial Connectors to be easily converted to pendant outlets.

There are two models available (medium 56SHM and large 56SHL) for connectors; 10 A - 20 A and 32 A - 50 A respectively, both of which are manufactured from quality 316 grade stainless steel for long life and to withstand loads of up to 50 kg.

The stainless steel 56SPOK suspended outlet kit allows two 56C or 56CV Series to be mounted back to back. It is also supplied with 316 grade stainless steel mounting screws.

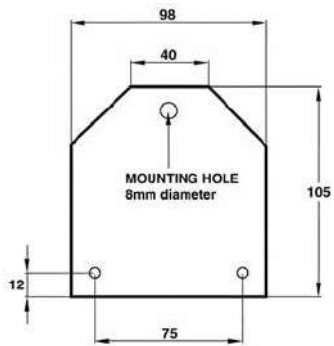
When not in use, 56P and 56PA Series Plugs can be protected by utilising the 56PC Series Plug Caps. This includes the 56PC, 56PCI and 56PC2 caps. When in position, they protect the pins from damage, dirt, grease, chemicals and water ingress. The caps are simple to fit and fully enclose the plug face to provide IP66. 56 Series Single Phase CSC Extension Sockets and Appliance Connectors can be protected by utilising the 56SC2 Socket Cap.

The 56AM25 + 56AM40 threaded adaptors are suitable for fitments of flexible conduit glands or hose adaptors. To fit, simply remove existing locknut and replace with adaptor module.

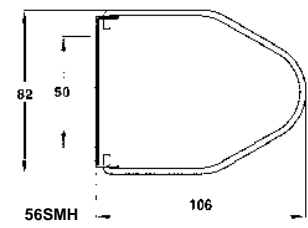
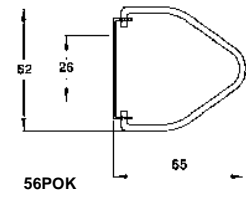
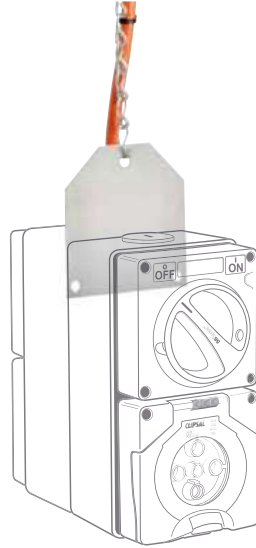
- 56AM25 suits 10 A to 20 A three-phase plugs
- 56AM40 suits 32 A to 50 A three-phase plugs.



Dimensions (mm)



56SPOK



Mounting Enclosure (Back Box) Accessories

Condensation drain, catalogue number 56D, should be used when condensation build up is a problem. The 56D is made from chemically resistant nylon and comes complete with lock nut.

Installation of the 56D de-rates the product to IP54.

56 Series 1 Gang Gasket Catalogue Number 56G1 - Replacement single gang gasket. Rated IP66.

56 Series 2 Gang Gasket Catalogue Number 56G2 - Replacement double gang gasket.

Catalogue Number 56MF - Mounting feet and stainless steel mounting screws (1¼" x 10 gauge) are provided to space 56 Series accessories off walls used in food industries. The 56MF is designed to be used in conjunction with food industry 280MC Mounting Channels and 280 Series 25 mm Conduit Clips.

Catalogue Number 56PMK - A heavy-duty stainless steel pole mounting kit made of 316 Grade stainless steel. Comes complete with 4¾" and 1¼" size stainless steel mounting screws.

The unique 56 Series High Pressure Gaskets are specifically designed where hygiene is paramount (dairies, abattoirs). These areas are most commonly cleaned using a 75 °C, 1600 psi, 25 l/min, high pressure cleaning gun with chemical cleaner added. 56 Series High Pressure Gaskets are suited to these high-risk environments and are compatible with 56E1, 56E2, and 56E4 enclosures.



Neutral - Clipsal 56 Series

Catalogue Number	Number of Gangs	Description	Colour
56HPG1-CM	1	56 Series High Pressure Gasket - 1 Gang	Cream
56HPG2/1-CM	2	56 Series High Pressure Gasket - 2 Gang	Cream
56HPG2/2-CM	2 x 1 Gang	56 Series High Pressure Gasket - 2 x1 Gang	Cream
56HPG4/3-CM	2 x 1 Gang, 1 x 2 Gang	56 Series High Pressure Gasket - 2 x1 Gang - 1 x 2 Gang	Cream
56HPG4/4-CM	4 x 1 Gang	56 Series High Pressure Gasket - 4 x 1 Gang	Cream
56G1	1	56 Series Gasket - 1 Gang	Black
56G2	2	56 Series Gasket - 2 Gang	Black
56MF	-	56 Series Mounting Feet	Stainless Steel
56MS	-	56 Series Cover Screws	Stainless Steel
56PMK	-	56 Series Pole Mounting Kit	Stainless Steel
56D	-	Condensation Drain	Green
56B-BK	-	56 series enclosure bridge	Black
56DV-BK	-	57 series enclosure divider	Black

Flush Surrounds

Surface mounted 56 Series Sockets, Switches, and Combinations can be transformed into flush mounting equivalents using the 56FA Surrounds and Brackets. The Surrounds can be used on various types of walls to help ensure a neat installation, such as:

- a mounting enclosure (back box) in poured concrete.
- a bracket on brick, brick veneer, or panel walls.

The brackets provide the installer with a practical method of flush mounting 56 Series accessories. Comprehensive installation instructions are supplied with all units. The 56FA1, 56FA2 and 56FA3 Flush Surrounds contain a moulded flange, foam gasket, and stainless steel mounting screws. The 56FA1B, 56FA2B and 56FA3B Flush Surrounds contain a corrosion resistant steel mounting metal bracket.



56FA4-GY

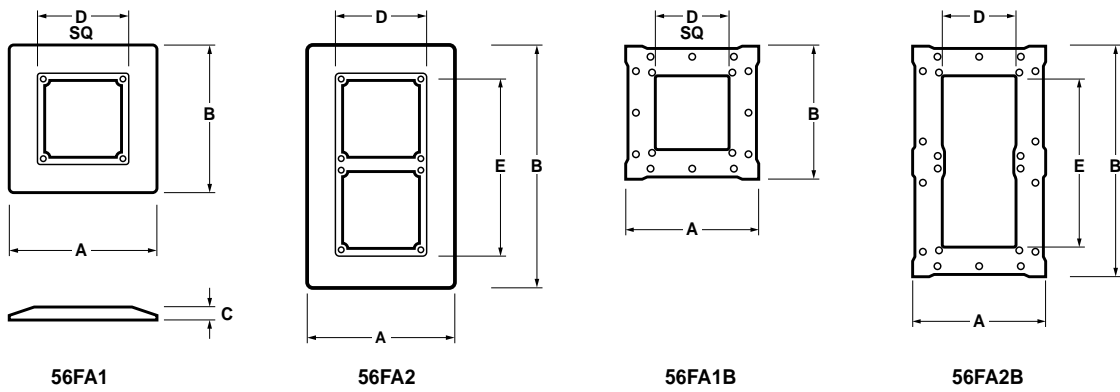


56FA2B

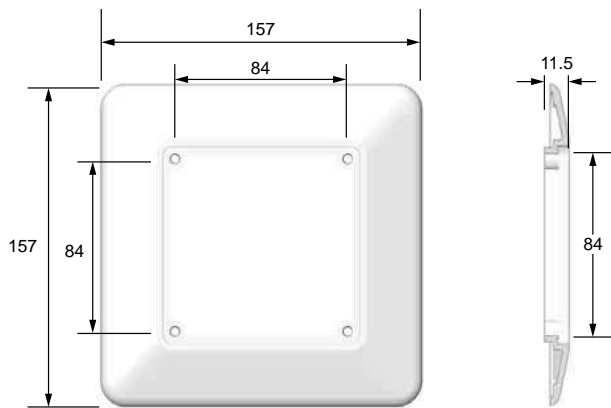
Neutral - Clipsal 56 Series

Catalogue Number	No. of Gangs	Description	O/A Dimensions					Colour
			(A)	(B)	(C)	(D)	(E)	
56FA1B	1	56 Series Flush Surround - Mounting Bracket - 1 Gang	141	141	0	82	-	-
56FA1-GY	1	56 Series Flush Surround - 1 Gang	157	157	13	97	-	Grey
56FA2B	2	56 Series Flush Surround - Mounting Bracket - 2 Gang	141	242	0	82	179	-
56FA2-GY	2	56 Series Flush Surround - 2 Gang	157	254	13	97	194	Grey
56FA3B	3	56 Series Flush Surround - Mounting Bracket - 3 Gang	141	338	0	82	275	-
56FA3-GY	3	56 Series Flush Surround - 3 Gang	157	350	13	97	281	Grey

Dimensions (mm)



Dimensions (mm)



Surface Socket Spare Parts

A range of replacement internal socket housings are available for 3 phase 56SO and 66P models. No need to replace an entire unit if only the internal socket or pin housing are damaged. Socket terminal and pin housings are moulded in durable polyester.



Neutral - Clipsal 56 and 66 Series

Catalogue Number	I _{the} (Amp)	Ui/Ue (Volt)	Type of socket	Cond. Term Size in mm ²
				Min/Max /Cond.
56SO320G	20	250	1P + N + E	[2,5,6]
56SO332G	32	250	1P + N + E	[6,16]
56SO520G	20	500	3P + N + E	[2,5,6]
56SO720G	20	500	3P + N + E	[2,5,6/2,5]
66SO563G	63	500	3P + N + E	[6,25]

Surface Socket Spare Parts

Neutral - 56 Series

Catalogue Number	Description	Colour
56HANDLE-BK	56 Series Handle for Portable RCD combinations	Black

Schneider Electric (Australia) Pty. Ltd.
33-37 Port Wakefield Road,
Gepps Cross, South Australia, 5085
PO Box 132, Enfield Plaza,
South Australia, 5085
www.schneider-electric.com.au
998-21035829_AU-GB

Consumer Support Enquiries
Phone: 1300 669 925
Website: clipsal.com/contactus

National Customer Care (trade only)
Phone: 1300 369 233
Email: plugin@clipsal.com.au
©2020 Schneider Electric. All Rights
Reserved. Iconic and Clipsal Iconic
are trademarks of Schneider Electric
(Australia) PTY Limited.

clipsal.com

Life Is  On


by Schneider Electric