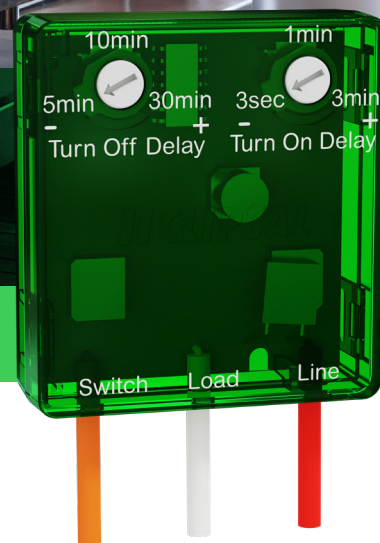


Run-On Fan Timer

31ROFT Technical brochure



Functionality

This Clipsal Run-On Fan Timer is designed to be installed behind the wall switch and be connected to the exhaust fan, so that when the light switch is turned on, the exhaust fan comes on and when the light switch is turned off, the exhaust fan continues to run for the set time period.

Application

To comply with NCC building regulations, any bathroom without natural ventilation requires the exhaust fan to be interlinked to the lights and the run-on for a period once occupants have left the room. This simple to use Run-On Timer solves this requirement as well as also offers additional flexibility with a delay on timer function.

Ordering Matrix

Catalogue Number	Description
31ROFT	Run-On Timer, 1A, with selectable Turn ON and Turn OFF delays

Technical Specifications

Specifications	
Voltage rating	230/240 Vac, 50 Hz
Wiring Connections	Active, Switch input, Load (no Neutral required)
Compatible Load Types	LED (Externally ballasted): 3 - 240 W LEDi: 3 - 240 W -M- 2.5 - 240 W
Fan Turn ON Delay	3 sec(default), 1 min, 3 min
Fan Turn OFF Delay	5 min, 10 min(default), 30 min
Switch Input Type	Latching ON/OFF
Dimensions	39 x 42 x 12 mm
IP Rating	IP30
Length of wire	110 mm
Fault Protection	Open circuit Overload Over temperature
Operating Temperature	- 10°C to +50°C
Operating Humidity	0% to +95% non-condensing

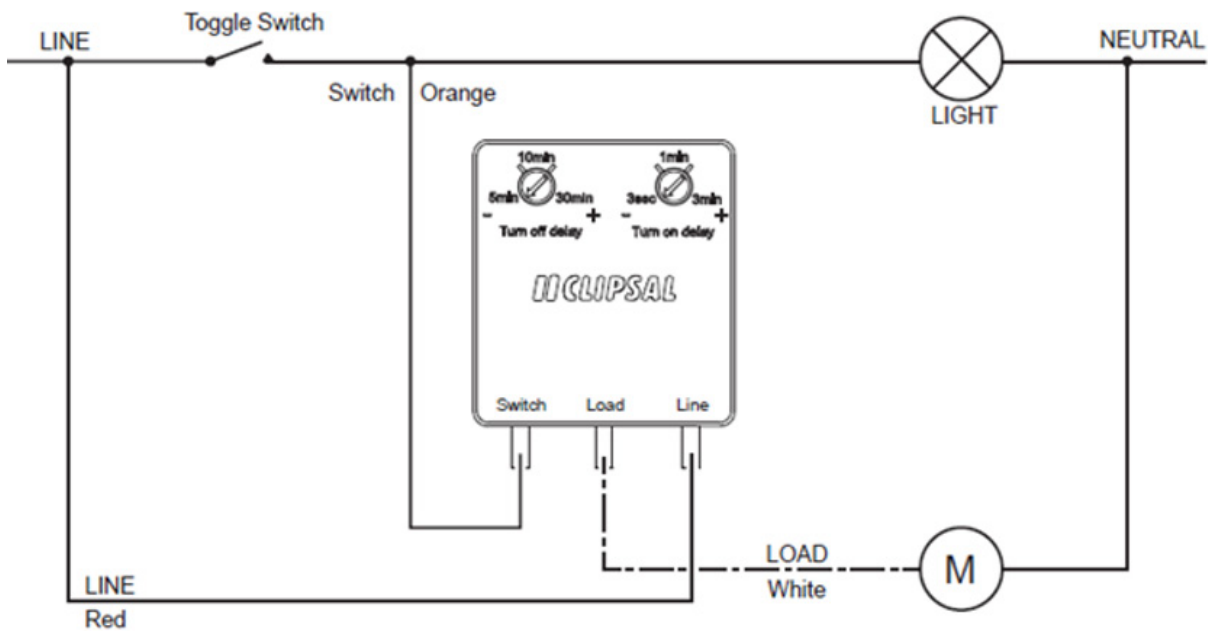
clipsal.com



Life Is On

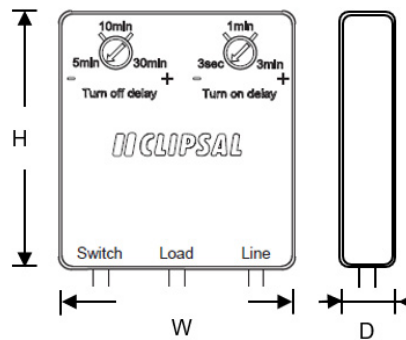
Schneider
Electric

Installation



Specifications

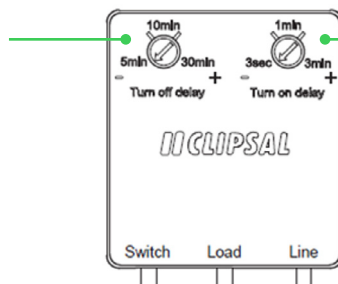
Width (W)	39 mm
Height (H)	42 mm
Depth (D)	12 mm



Functional Settings

Turn OFF delay

This setting determines the period of time the exhaust fan will continue to run after the light switch is turned off.



Turn ON delay

This setting determines the period of time before the exhaust fan turns on after the light switch has been turned on.

clipsal.com

Life Is On

Schneider
Electric

Schneider Electric (Australia) Pty Ltd
2 Banfield road, Macquarie Park,
NSW, 2113 Australia
National Customer Care: 137328

Schneider Electric (NZ) Ltd
Level 2, Building 6, 64 Highbrook Drive, Highbrook,
Auckland, 2013 New Zealand
National Customer Care: 0800 652 999