



Ceiling Light TPCLS

Technical brochure

Functionality and technology

The TPCLS is a sleek, thin circular ceiling light designed for optimal functionality and efficiency. With a power consumption of just 17 W, it delivers an impressive output of 1700 lumens, ensuring bright illumination while maintaining energy efficiency. The light operates within a voltage range of 230 – 240 Vac and features a power factor of 0.9. It supports a wide colour temperature range of 3000K, 4000K, and 6000K, allowing you to customize the ambiance of any space. Built to withstand operating temperatures from -10 to +60 °C, this Class II luminaire is ideal for various indoor environments.

Application

The TPCLS is versatile and suitable for a range of applications, including residential, commercial, and institutional settings. Its surface mount design makes it easy to install in areas with limited ceiling space, such as hallways, offices, retail spaces, and kitchens. With a diameter of Ø294 mm and a height of just 23 mm, this low-profile light fixture seamlessly integrates into any décor. Backed by a 5-year warranty, the TPCLS ensures reliable performance and longevity, making it an excellent choice for efficient general lighting solutions.

Ordering matrix

Catalogue No.	Description
TPCLS	Ceiling Light, Circular

Ultra Slim
(23mm)

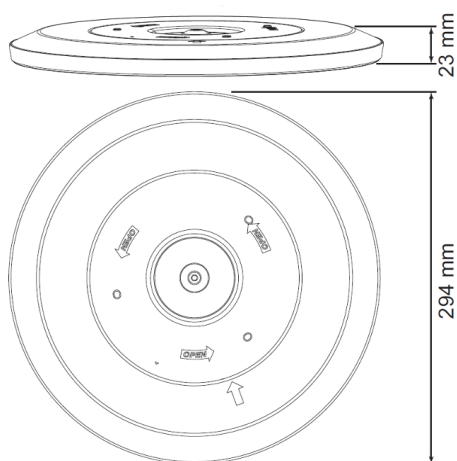
Dimmable

5
Year
Warranty

Ceiling Light

Specification	
Model	TPCLS
Voltage	230 – 240 Vac, 50 Hz
Power Consumption	17 W
Current	95 mA
Operating Temperature	-10 to + 60 °C
PF	0.9
CCT	3000/ 4000/ 6000 K
Lumens	1700 lm
Class	II
Mounting Type	Surface Mount
Warranty	5 Years

Construction	
Model	TPCLS
Diameter	Ø294 mm
Height	23 mm
Weight	590 g



Clipsal by Schneider Electric

33-37 Port Wakefield Road,
Gepps Cross,
South Australia 5094
www.clipsal.com

Consumer Support Enquiries

Phone: 13 73 28 (13 SEAU)
Website: clipsal.com/contact-us

Life Is On

Schneider
Electric