

Downlight TPDL Series

Technical brochure



Functionality and technology

An integral driver, tri-temperature selection switch and cutting-edge technology combined into a simple and easy to install LED Downlight.

Application

The TPDL1C3 LED Downlight is suitable for multiple illumination applications from residential to commercial buildings. The slightly recessed, frosted diffuser ensures reduced glare and soft glow output. The integrated colour temperature selector switch enables the choice of 3000K, 4000K and 6000K outputs to ensure the perfect illumination for a wide variety of installations.

Where ripple frequency is present and dimming is desired, the model TPDL1C3R Downlight has been specifically engineered with built in ripple resistance circuitry that may help reduce the effect of this ripple signal and in some cases remove it entirely. This ensures smooth, consistent lighting performance even in areas affected by ripple control signals from electricity providers.

Ordering matrix

Catalogue No.	Description
TPDL1C3	LED Downlight, >700 lm, 3000K/4000K/6000K, IP44, White Trim
TPDL1C3R	LED Downlight, >700 lm, 3000K/4000K/6000K, IP44, White Trim, Ripple Resistant Filtering
TPDL1C3B6	LED Downlight, >700 lm, 3000K/4000K/6000K, IP44, White Trim (6 Pack)
TPDL1T3BC	LED Downlight Trim – Brushed Chrome
TPDL1T3BK	LED Downlight Trim – Black

Features and benefits

- Dimmable with Clipsal LED dimming technology products
- Tri-Temperature colour switch provides multiple colour outputs to be selected on installation (Default 3000K)
- White Trim colour with Brushed Chrome and Black options (sold separately)
- IC-4 rating allows the fitting to be abutted and covered by building material

Dimmable

5
Year
Warranty



clipsal.com

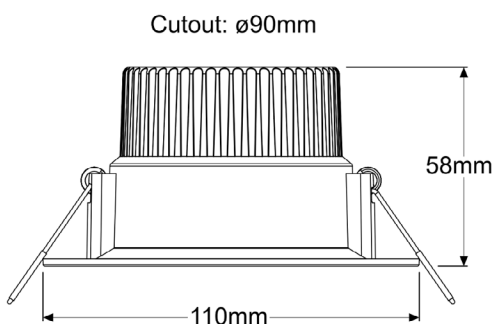
Life Is On

Schneider
Electric

TPBDL Series

Specification		
Model	TPDL1C3	TPDL1C3R
Voltage	230/240 Vac, 50 Hz	
Power Consumption	7 W	
Ripple Filter	No	Yes
Dimmable	Yes	
Colour Temperature	3000 / 4000 / 6000 K	
Lumens	700 / 750 / 750 lm	
CRI	>80	
IP Rating	IP44 (from front), IP20 (from rear)	
Beam Angle	100 degrees	
LifeSpan (L70)	50,000 hrs	
Power Factor	>0.9	
Operating temperature	-10 to + 25 °C	
Operating Humidity	10% to 95% RH, non-condensing	
Run Current @230V	0.028 A	
Inrush Current	2.14 A	
Inrush Current Duration	36 µs	
Installation	900mm Flex & Plug	
Warranty	5 Years	

Construction		
Model	TPDL1C3	TPDL1C3R
Mounting Depth	58 mm	
Trim Width	110 mm	
Cut-out	90 mm	
Weight	190 g	
Trim Material	Plastic	



Clipsal by Schneider Electric

33-37 Port Wakefield Road,
Gepps Cross,
South Australia 5094
www.clipsal.com

Consumer Support Enquiries

Phone: 13 73 28 (13 SEAU)
Website: clipsal.com/contact-us

Life Is On

Schneider
Electric