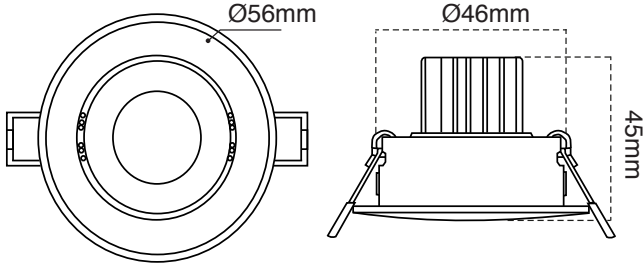


atomⁱ

INSTALLATION SHEET LED DOWNLIGHT AT9014

4.5W Adjustable downlight with driver.



Product specification

Voltage	12Vdc	
Power consumption	4.5W	
Light colour options	Warm white	Cool white
Lumen output	288lm	310lm
Colour temperature	3000K	4000K
Colour rendering index	>80	
Beam angle	45°	
Dimmable	Yes	
Warranty	3 Years	
Working temperature	40°C	
IP Rating	IP20	
IC Rating	IC4	

* Dimmable on selected dimmers. For additional information please visit our website.

Product range

Code	Colour temperature	Finish
AT9014/SC/CW	Cool white	Satin chrome
AT9014/SC/WW	Warm white	Satin chrome
AT9014/WH/CW	Cool white	White
AT9014/WH/WW	Warm white	White

SAFETY INFORMATION

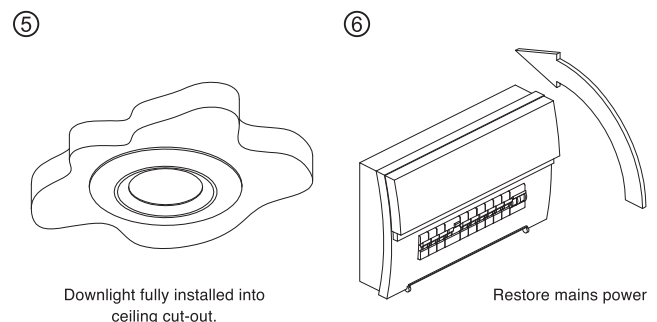
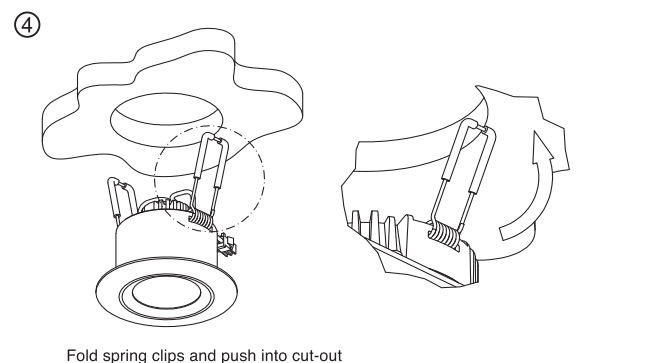
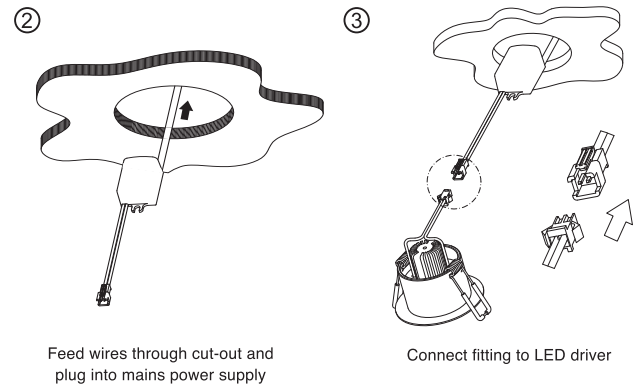
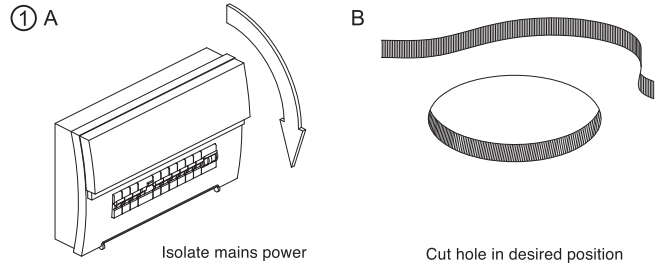
- Luminaires must be installed and fitted by a qualified electrician ensuring the installation complies to the current wiring regulations.
- The LED's in this downlight CANNOT BE REPLACED.
- Ensure all electrical connections are secure and that there are no loose strands.
- Do not install this product on damp or newly plastered ceilings.
- Always ensure there is adequate ventilation around the driver at all times.

This product may contain substances that can be hazardous to the environment if not disposed of properly. Electrical and electronic equipment should never be disposed of with general household waste but must be separated of its correct treatment and recovery. Where possible recycle your packaging. Please keep these instructions safe for future reference.

Installation

Read instructions and check you have all the tools and accessories to complete the installation correctly. This product is dimmable with standard "Triac Dimmers". It is recommended that you only use the endorsed dimmer brands. Please consult your lighting provider before installation.

1. A. Isolate the mains power supply before commencing installation.
B. Cut Ø46mm hole in desired position.
2. Feed wires through cut-out and plug into mains power supply.
3. Connect fitting to LED driver.
4. Fold spring clips and push into cut-out.
5. Downlight fully installed into ceiling cut-out.
6. Ensure correct lighting installation, restore mains power supply.



Risk of Fire

CAN BE COVERED AND ABUTTED

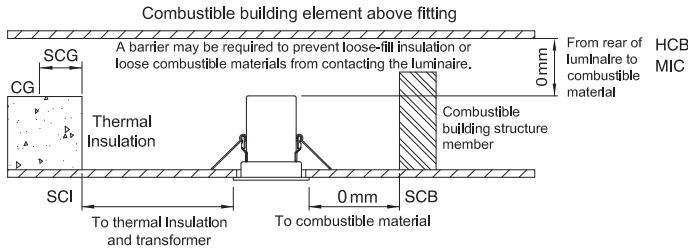
HCB = Minimum distance between the top of the recessed luminaire and any building element above it.

MIC = Minimum distance between the top of the recessed luminaire and the building insulation above it.

SCB = Minimum distance between the side of the recessed luminaire and any building element.

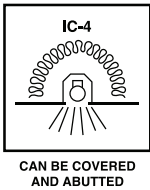
SCI = Minimum distance between the recessed luminaire and any building insulation.

SCG = Side clearance to auxiliary equipment [control gear (CG)]



Risk of Fire - Required clearance from structural members and building elements.

HCB: 0mm MIC: 0mm SCB: 0mm SCI: 0mm SCG: 50mm



Warranty

Atom products are distributed in Australia by Evolt Pty Limited ('us', 'our', or 'we'). Our contact information is set out in the bottom right hand corner of this page.

Our goods come with guarantees that cannot be excluded under the Australian Consumer Law. You are entitled to a replacement or refund for a major failure and compensation for any other reasonably foreseeable loss or damage. You are also entitled to have the goods repaired or replaced if the goods fail to be of acceptable quality and the failure does not amount to a major failure.

In addition to your guarantees under the Australian Consumer Law, our goods also come with a contractual warranty, which is described below. This warranty is additional to your rights under the Australian Consumer Law (and any other rights or remedies you may have under a law in relation to the products) and is not intended to modify or exclude those rights.

Subject to the terms of this contractual warranty, if your Atom products are defective, we will (at our election) repair or replace the Atom products. Once we make this election (and take the relevant action), we will have honored our obligations under this contractual warranty.

Our total liability under this warranty is limited to the cost of repair or replacement of the defective product (at our election). We otherwise exclude all liability in relation to the product to the fullest extent permitted by law (noting our comments above regarding the Australian Consumer Law and any other rights or remedies you may have).

If you wish to claim under this warranty, you must, at your own expense, return the product or that part of the product which you believe is defective, together with proof of original purchase, your name, address and telephone number and a certificate of installation (or other document required by the law for the installation of electrical products in the place in which the product was installed) to Evolt at the address set out in the bottom right hand corner of this page within the warranty period. You bear all costs associated with claiming under this warranty (including, but not limited to, postage costs). Without limiting the preceding sentence, this warranty does not apply to the costs of the removal or re-installation of the defective product.

The warranty period for this product is three years from the date of purchase. This warranty is not transferable and is only given to the original purchaser of the product, provided the purchaser has purchased the product from us. Proof of purchase must be provided to us with any warranty claim. We recommend that you attach your proof of purchase to your product manual.

This warranty does not apply to consumable items within your product (including, but not limited to, lamps or batteries). This warranty does not apply to products that have been improperly stored, installed, or used. This warranty does not apply to products that have not been maintained in accordance with the instructions contained within this product manual.

This warranty does not apply to loss or damage caused by wear and tear, misuse, incorrect installation or operation, failure to clean and maintain, incorrect voltage or non-authorized electrical connections, adverse external conditions (such as power surges and dips, acts of God, exposure to heat, corrosion, insect or vermin infestation), use of non-authorized or defective parts or globes, or to items that have been repaired than by a person other than us or a repairer approved by us.

000005_V1.0

Atom is a registered brand of Evolt Pty Limited

For further information please call Evolt's head office on 1300 4EVOLT (438 658).
Evolt Pty Limited PO BOX 271 KINGSGROVE NSW 1480
ABN 83 112 123 529

Due to changes in industry standards and Evolt's policy of continual product development, product specifications are subject to change without notice. Images are for illustrative purposes only.

For more information please visit our website www.evolt.com.au a brand of | **evolt**